

# SENTINEL

Direct Vent



*Fmi's new clean-faced Sentinel is a clear departure from typical direct vent gas fireplaces. Every effort was exhausted to make the Sentinel look like a real wood burning fireplace.*



[www.FMIPRODUCTS.com](http://www.FMIPRODUCTS.com)

## Timeless Beauty - And The Latest Technologies

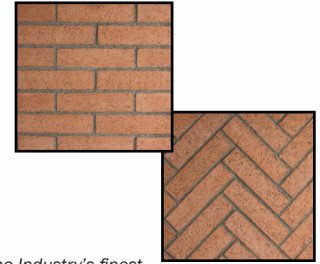
Fmi's new clean-faced Sentinel is a clear departure from typical direct vent gas fireplaces. Although most direct vents include an excess of visible sheet metal and louvers, every effort was exhausted to make the Sentinel look like a real wood burning fireplace; with features and benefits homeowners will love!

**Distinctive Looks** - The combination ceramic ember bed / steel tube burner system creates lively, colorful flame patterns and a deep smoldering glow only a real wood fire could match. The dramatic flame picture is enhanced by the industry's finest refractory brick liners for incomparable masonry realism.

**Massive Viewing Area** - The Sentinel's tall profile captures the industry's largest glass viewing area in both 36" and 42" size categories.

**Operation and Maintenance are a Breeze** - Operates from wall switch or included remote control.

Sentinel models produce random, tiered flames and gorgeous, glowing ember bed.



The Industry's finest refractory brick lining kits are hand-detailed and available in warm red stacked or herringbone patterns.

### Simple, Secure, and Straight Installation -

Sentinel's include fully unitized logsets for ease of installation, and they frame straight and sturdy every time with full-length drywall stopping nailing flanges.

**Venting Options** - The top direct vent configuration of the Sentinel provides a wide variety of convenient venting options using our 5"/ 8" coaxial chimney system.

**More Standard Features** - Hand-held remote, tough powder coat finish, flex gas connector and shut-off valve are all standard.



Sentinel Direct Vent Fireplace Product Offering					
MODEL	DESCRIPTION	FUEL	CONTROL	BRICK PATTERN	BTU's
DVF36NS	36" Direct Vent Fireplace	Natural	Electronic Ignition	Stacked	33,500
DVF36PS	36" Direct Vent Fireplace	Propane	Electronic Ignition	Stacked	33,500
DVF36NH	36" Direct Vent Fireplace	Natural	Electronic Ignition	Herringbone	31,000
DVF36PH	36" Direct Vent Fireplace	Propane	Electronic Ignition	Herringbone	31,000
DVF42NS	42" Direct Vent Fireplace	Natural	Electronic Ignition	Stacked	41,000
DVF42PS	42" Direct Vent Fireplace	Propane	Electronic Ignition	Stacked	41,000
DVF42NH	42" Direct Vent Fireplace	Natural	Electronic Ignition	Herringbone	37,000
DVF42PH	42" Direct Vent Fireplace	Propane	Electronic Ignition	Herringbone	37,000

Venting system: 5"/8" Coaxial

### Accessory Offering Summary

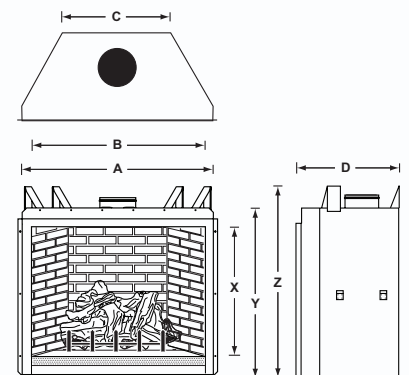
- Perimeter Brick Surround Kit
- Fuel Conversion Kits



The accessory perimeter brick surrounds give the Sentinel a true masonry look.

### Firebox Dimensions

	36"	42"
A	41	48 1/4
B	35	42
C	29	34 3/4
D	20 3/8	24 3/8
X	31	35
Y	38 7/8	42 7/8
Z	43	47



FMI PRODUCTS, LLC

www.FMIPRODUCTS.com

For more information, call (866) 328-4537

FA5503-0212

© 2012 FMI PRODUCTS, LLC



Product design, features and specifications are subject to change at any time. Refer to current product instructions prior to installation.

Printed in U.S.A.