

MULTI-VIEW

B - Vent



FMI's Multi-View GL Series B-vent gas fireplaces let homeowners have it all: beauty, performance, convenience and economy. Whatever the job requires, FMI has the right fireplace to fit your need...



www.FMIPRODUCTS.com

Convenient Features, Unlimited Possibilities

FMI's B-vent gas fireplaces let homeowners have it all: beauty, performance, convenience and economy. And when architecture demands something really creative, we're ready then too. See thru, left or right corner, peninsula... whatever the job requires, FMI has the right fireplace... all with beautiful new features homeowners will love!



Aspen See-Thru Fireplace

Each model features multiple viewing angles of the exquisite campfire style round oak log set, dancing yellow flame patterns and glowing embers. Clean face design allows for a full face surround. We've included sturdy nailing flanges and drywall stops for easy, consistent installation and clean finish.

All models utilize 6" B-type venting for economical, space saving installation.

You have an array of attractive extras, including extruded aluminum cabinet style glass doors, outside combustion air kits, remote controls, and much more. All models operate from wall switch or remote control. Operable cabinet style glass doors open wide for easy maintenance, and provide real woodburning fireplace ambiance.



Marblehead Peninsula Fireplace



Durango Corner Fireplace

Multi-View B-Vent Fireplace Product Offering

MODEL	DESCRIPTION	FUEL	CONTROL	BTU's
Durango Corner Fireplaces				
GL36CR/CRP	36" Fireplace, Right Side Open	Natural/Propane	Millivolt	42,000
GL36CL/CLP	36" Fireplace, Left Side Open	Natural/Propane	Millivolt	42,000
GL36CRE/CRPE	36" Fireplace, Right Side Open	Natural/Propane	Electronic Ignition	42,000
GL36CLE/CLPE	36" Fireplace, Left Side Open	Natural/Propane	Electronic Ignition	42,000
Aspen See-Thru Fireplaces				
GL36ST/STP	36" See-Thru Fireplace	Natural/Propane	Millivolt	42,000
GL36STE/STEP	36" See-Thru Fireplace	Natural/Propane	Electronic Ignition	42,000
Marblehead Peninsula Fireplaces				
GL36PN/PNP	36" Peninsula Fireplace	Natural/Propane	Millivolt	42,000
GL36PNE/PNEP	36" Peninsula Fireplace	Natural/Propane	Electronic Ignition	42,000

Venting system: 6" B Type Venting

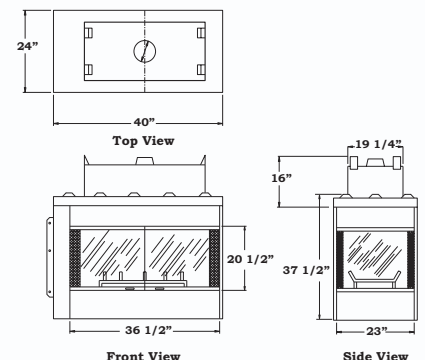
Accessory Offering Summary

- Cabinet Style Glass Doors
- Remote Control Kits
- Outside Combustion Air Kits



Cabinet Style Glass Doors Available in Your Choice of Platinum or Black.

Firebox Dimensions



FMI PRODUCTS, LLC

www.FMIPRODUCTS.com

For more information, call (866) 328-4537

FA6266-0312

© 2012 FMI PRODUCTS, LLC



Tested & Certified



Printed in U.S.A.

Product design, features and specifications are subject to change at any time. Refer to current product instructions prior to installation.