

# BERLIN LIGHTS

Vent-Free



*The Luminary Series... where superior performance and unique versatility are showcased in an ultramodern design. A masterpiece on fire, but a presence that represents luxury with or without the flame.*



[www.FMIPRODUCTS.com](http://www.FMIPRODUCTS.com)

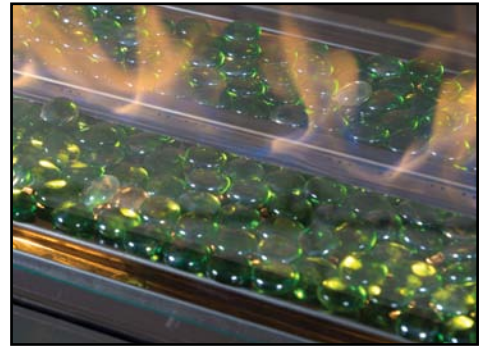
## Sleek & Sophisticated

Introducing the Luminary Series Linear Vent-Free Fireplace System, Berlin Lights. These dynamic new products are offered in an amazingly chic and polished style with adaptability and versatility you haven't even thought of, yet.

Berlin Lights fireplaces span 43" across and take on a modern oblong shape unlike any of our other units. This stainless steel fireplace is equipped with a glass weather shield to resist the outdoor elements and includes reflective interior walls to amplify the flame and boast the power of the fire. The green glass beads add sparkle to the burner and already dazzling yellow flames. Choose one of the other colors of glass pebbles to compliment your outdoor living room.

The lively blaze is innovatively accented with halogen lighting. The lights shine through from underneath the glass stones to elegantly illuminate your fireplace. Now you can create ambiance with mood lighting whether the fire is burning or not.

This cutting edge design is far from traditional, yet all controls remain concealed so the finished look remains as clean and effortless as possible. The fireplace features an adjustable flame and electronic ignition for your convenience. Mood lighting and remote control are standard. This standout series is beyond accommodating when it comes to application. Berlin Lights Vent-Free fireplaces have the ability to transform to see-thru models. Simply remove the back panel on your linear fireplace and combine with the two sided kit to instantly convert your Berlin Lights fireplace to a multi-view model. (The two sided kit includes an additional glass weather shield along with a trim piece).



*Berlin Lights Fireplaces help set the mood with ambient lighting, dancing flames and glass beads. What's more, these fireplaces can instantly convert to See-Thru models so you can enjoy the beauty from two points of view.*

Berlin Lights  
Linear Fireplace



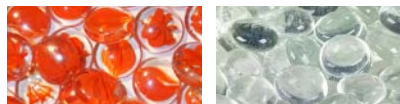
### Berlin Lights Linear Vent-Free Outdoor Product Offering

MODEL	DESCRIPTION	FUEL	BTU's
LVFO43NE	Vent-Free Firebox	Natural	40,000
LVFO43PE	Vent-Free Firebox	Propane	40,000

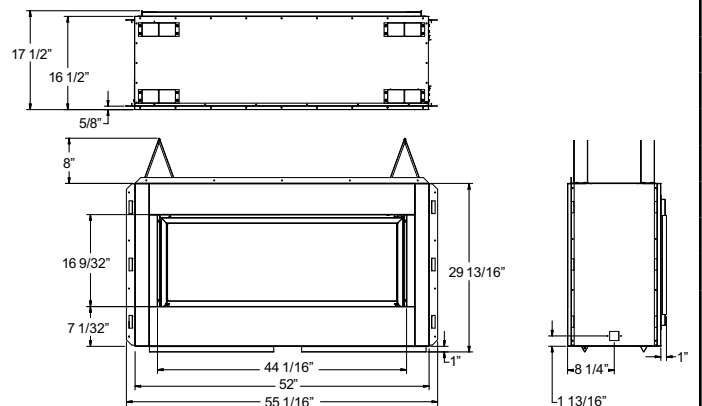
### Accessory Offering Summary

- See-Thru Conversion Kit
- Smooth Glass Pebbles

Smooth Glass Pebbles available in Amber, Blue, Speckled Orange & Clear.



### Firebox Dimensions



FMI PRODUCTS, LLC

www.FMIPRODUCTS.com

For more information, call (866) 328-4537

FA5530-0812

© 2012 FMI PRODUCTS, LLC



Tested & Certified



Printed in U.S.A.

Product design, features and specifications are subject to change at any time. Refer to current product instructions prior to installation.