

# VENETIAN MASONRY

Vent-Free



The Venetian Masonry vent-free fireplace is the ultimate compliment to any outdoor room or patio. It's the easiest, most space efficient way to install a rich, real masonry outdoor fireplace.



[www.FMIPRODUCTS.com](http://www.FMIPRODUCTS.com)



# VENETIAN MASONRY

## Stunning Looks, Outstanding Performance

America is moving outdoors. And the new Venetian Masonry vent-free fireplace is the ultimate compliment to any outdoor room or patio. It's the easiest, most space efficient way to install a rich, real masonry outdoor fireplace; and it has a host of beautiful new features homeowners will love!

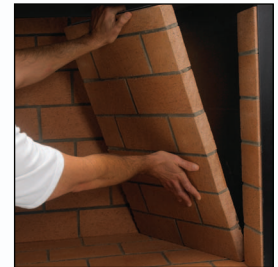
These unique fireplaces feature enormous firebox dimensions with a smooth style face in beautiful brushed stainless steel. When finished flush to the opening, the absence of any visible sheet metal creates the foundation for a true masonry hearth presentation. Fmi's Mosaic Masonry™ firebrick lining system positions our Grand Masters Series as the only real masonry, factory built and lab certified fireplaces! The beautiful firebrick kit is indistinguishable from site-built masonry and is available in both traditional Warm Red and Ivory.

Fmi uses only the finest appliance grade stainless steel and kiln-fired clay firebrick. Quality checks at each level of production assure a good quality product every time. Despite the authentic, site-built masonry appearance, the Venetian is actually an ANSI Z21.91 "zero clearance" certified fireplace. This means flexible installation options and guaranteed performance, and... it's approved for indoor as well as outdoor use and without any venting to worry about, they're versatile, enough for smaller, unconventional or restricted lots.

The patented Mosaic Masonry™ firebrick kit is a complete masonry lining system of engineered, steel reinforced, kiln fired clay firebrick walls that install as easily as typical factory-built concrete liners, but finish just like site-built masonry. They're even factory grouted to minimize site installation time.



Mosaic Masonry™ made simple. All new engineered firebrick walls are hand grouted in the factory for ease of installation.



Firebrick system features steel reinforced, factory-built and grouted masonry walls that easily slip into place and securely fasten to the steel fireplace chassis.



Venetian Masonry are available in 36", 42" and 50" wide openings with Full 30" clear opening height.

### Venetian Masonry Vent-Free Firebox Product Offering

MODEL	DESCRIPTION	BRICK PATTERN	BRICK COLOR
QM36SIA/QM36SRA	36" Masonry Firebox	Stacked	Ivory/Warm Red
QM36TSA/QM36TSRA	36" Masonry Firebox	Split Stacked	Ivory/Warm Red
QM36HIA/QM36HRA	36" Masonry Firebox	Herringbone	Ivory/Warm Red
QM36THIA/QM36THRA	36" Masonry Firebox	Split Herringbone	Ivory/Warm Red
QM42SIA/QM42SRA	42" Masonry Firebox	Stacked	Ivory/Warm Red
QM42TSA/QM42TSRA	42" Masonry Firebox	Split Stacked	Ivory/Warm Red
QM42HIA/QM42HRA	42" Masonry Firebox	Herringbone	Ivory/Warm Red
QM42THIA/QM42THRA	42" Masonry Firebox	Split Herringbone	Ivory/Warm Red
QM50SIA/QM50SRA	50" Masonry Firebox	Stacked	Ivory/Warm Red
QM50TSA/QM50TSRA	50" Masonry Firebox	Split Stacked	Ivory/Warm Red
QM50HIA/QM50HRA	50" Masonry Firebox	Herringbone	Ivory/Warm Red
QM50THIA/QM50THRA	50" Masonry Firebox	Split Herringbone	Ivory/Warm Red

### Accessory Offering Summary

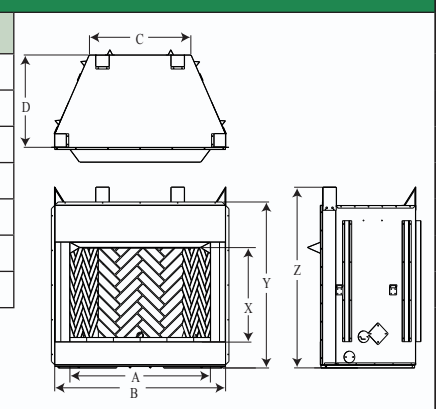
- Outside Combustion Air Kits  
(For indoor applications)
- Gas Log Kits

Your Choice of traditional stacked or herringbone brick pattern. available in both Warm Red and Ivory.



### Firebox Dimensions

	36"	42"	50"
A	36"	42"	50"
B	45"	51"	59"
C	29"	30 1/2"	38 1/2"
D	26"	28"	28"
X	30"	30"	30"
Y	49"	49"	49"
Z	54 1/2"	54 1/2"	54 1/2"



ANSI Z21.91 Certified



FMI PRODUCTS, LLC

www.FMIPRODUCTS.com

For more information, call (866) 328-4537

FA7161-0312

© 2012 FMI PRODUCTS, LLC



Product design, features and specifications are subject to change at any time. Refer to current product instructions prior to installation.

Printed in U.S.A.