



Exceeding Expectations
by Design

B-Vent Gas Fireplaces Indoor



Premium Luxury Series



Standard
Traditional Series



Performance
Traditional Series



Premium
Traditional Series



Multi-View
Series

Traditional Series

Standard

Vantage Hearth's *Standard* B-Vent Gas Fireplaces from the Traditional Series offer the beauty of a wood burning fireplace with the convenience and economy of natural gas or propane. With no outside brick chimney required, these fireplaces install almost anywhere in a home. All that is needed is an inexpensive B-Vent chimney system. The *Standard* model comes in a 32 inch size with a smooth face, black interior and 4 inch venting system.



Performance

The *Performance* B-Vent Fireplaces offer a beautiful, traditional fireplace setting at an attractive price. Available in 32 inch, the *Performance* offers your choice of Black interior or Stacked brick and comes standard with a 5 inch venting system. The removable smooth face panels allows flexibility of accessing the gas controls through either the lower face panel or refractory floor, to allow installation of a full face surround.



Premium

Fully loaded and truly impressive, Vantage Hearth's Traditional Series *Premium* is the flagship product, and sets tough new standards for any B-Vent Fireplace. The innovative *Premium* captures all the latest visual and functional technologies, features and conveniences available. *Premium* models are available in 36 and 42 inch sizes with a smooth face, ideal for custom trim applications such as stone or marble. Includes a 6 inch venting system.





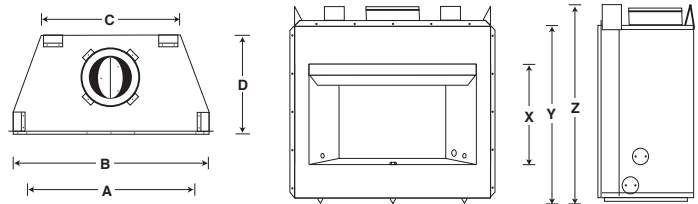
Traditional Series B-Vent Fireplaces (Standard, Performance, Premium)					
MODEL #	DESCRIPTION	BTU	CONTROL	FUEL	WEIGHT
Standard "Indoor"					
VP3241	32" Smooth face fireplace, black interior	15,000	Millivolt	Natural	72.0 lbs.
Performance "Indoor"					
VFB32C	32" Smooth face fireplace, black interior	25,000	Millivolt	Natural	95.0 lbs.
VBV36B	36" Smooth face fireplace, stacked refractory brick side	25,000	Millivolt	Natural	135.0 lbs.
Premium "Indoor"					
VM361	36" Smooth face fireplace, black interior	40,000	Millivolt	Natural	140.0 lbs.
VM36E1*	36" Smooth face fireplace, black interior	40,000	Electronic Ignition	Natural	140.0 lbs.
VM36B1	36" Smooth face fireplace, stacked refractory brick	40,000	Millivolt	Natural	225.0 lbs.
VM36EB1*	36" Smooth face fireplace, stacked refractory brick	40,000	Electronic Ignition	Natural	225.0 lbs.
VM36H1	36" Smooth face fireplace, herringbone refractory brick	40,000	Millivolt	Natural	225.0 lbs.
VM36EH1*	36" Smooth face fireplace, herringbone refractory brick	40,000	Electronic Ignition	Natural	225.0 lbs.
VM421	42" Smooth face fireplace, black interior	45,000	Millivolt	Natural	162.0 lbs.
VM42E1*	42" Smooth face fireplace, black interior	45,000	Electronic Ignition	Natural	162.0 lbs.
VM42B1	42" Smooth face fireplace, stacked refractory brick	45,000	Millivolt	Natural	257.0 lbs.
VM42EB1*	42" Smooth face fireplace, stacked refractory brick	45,000	Electronic Ignition	Natural	257.0 lbs.
VM42H1	42" Smooth face fireplace, herringbone refractory brick	45,000	Millivolt	Natural	257.0 lbs.
VM42EH1*	42" Smooth face fireplace, herringbone refractory brick	45,000	Electronic Ignition	Natural	257.0 lbs.

*Electronic ignition models require electricity to operate. New York & California allow installation of electronic models only.

Fireplace Dimensions

MODEL #	A	B	C	D	X	Y	Z
32" Fireplace	29 1/2	34 1/2	22 3/8	16 3/4	18 1/4	32 1/4	36 1/2
36" Fireplace	35	41	29	21 1/8	21	36	40 5/8
42" Fireplace	42	48	36	23	24	40	44 1/4

Note: All measurements are in inches. Dimensions in this catalog are approximate. For accurate dimensions, refer to the installation instructions.



Luxury Series

Vantage Hearth's Mosaic Masonry™ technology is a dramatic development that will change the way you think about the fireplace. This technology combines traditional appearance and traditional materials with modern assembly techniques to create a fireplace that is unparalleled in its beauty and value.

Two trends related to today's homes make our patent-pending Mosaic Masonry™ technology significant. First, homeowners want distinctive, high quality products in their home. Surveys of top home builders and buyers alike confirm that homeowners are paying more attention to the details in their homes, and are looking for choices and selections to make their homes more attractive, more distinctive, more valuable. Secondly, people also want convenience. We all want home products that are easy to install, and are easy to operate. The Mosaic Masonry™ technology does both these things.

There are two types of fireplaces on the market today: One, a masonry fireplace, is built brick-by-brick by a skilled mason. These are the oldest fireplaces, and considered the aesthetic standard for all fireplaces. The second type of fireplace is a prefabricated fireplace, with factory-built components that are available at a fraction of the cost of a regular masonry fireplace. These fireplaces are tested and certified to established safety standards, and are available in both gas and wood burning models.

The Mosaic Masonry™ technology uniquely combines that quality appearance of a masonry fireplace with the installation convenience and more reasonable cost of a factory-built fireplace.



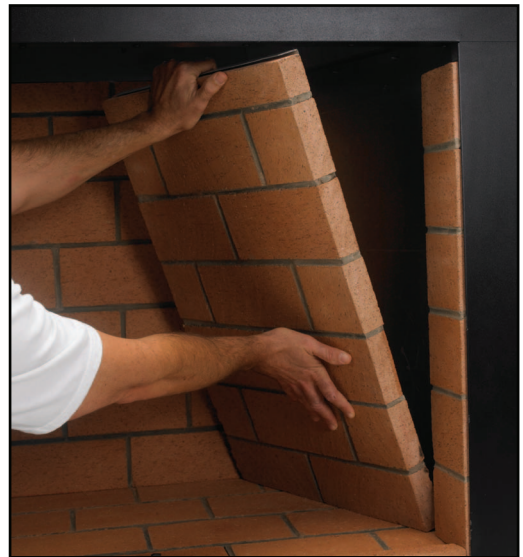
Luxury Series Premium Chassis is equipped with Mosaic Masonry™ Firebrick. Simply combine the Premium gas burner / module.



True, hand-forged andirons.



Mosaic Masonry™ made simple. All new engineered firebrick walls are hand grouted in the factory for ease of installation.



Pre-engineered firebrick wall system features steel reinforced, factory-built and grouted masonry walls that easily slip into place and securely fasten to the steel fireplace chassis.



All Mosaic Masonry™ fireplaces come with either Ivory or Red brick in stacked or herringbone patterns.

Premium Masonry

The first thought you may have of the *Premium* from the Luxury Series is that it doesn't look like a gas fireplace. And if so then we've done a good job. We started with an enormous, wood burning fireplace chassis featuring our patented firebrick lining system; indistinguishable from site-built masonry. Then we added a low profile, ceramic ember-ramp log set with lively, natural flame patterns and a deep smoldering glow. We hid all controls and gas lines beneath the hearth floor to maximize the woodburning look and feel. Then we topped it all off with a set of beautiful hand forged andirons and a detailed hearth media kit.

The *Premium* Masonry features our new patent pending Mosaic Masonry™ firebrick walls. The traditional manufactured fireplace chassis is designed to accept a variety of kiln-fired clay firebrick walls. After the easy to install masonry wall system is fastened into place, the patented, fully unitized ember bed ramp burner and log module drop into the hearth floor. This feature also allows for the installation of future, technologically advanced, log and burner systems as they develop. It features a fully electronic ignition system with a 40% turn down capacity which can be operated by wall switch or included remote control. True hand-forged andirons and masonry chain-mesh pull screens complete the luxurious masonry design.

Premium's patented, radiant heat technology is the most realistic, convenient, and heat efficient gas log system made. It's designed to produce an intense red glow that not only creates uncanny wood burning realism, but also produces radiant heat with efficiencies comparable to most direct vent fireplaces, and clearly superior to any open-faced gas fireplace or conventional gas logs.



Rapture Fireplace with Herringbone Ivory Brick



Fully electronic ignition and gas controls are hidden for realism, and accessible through the front hearth brick.

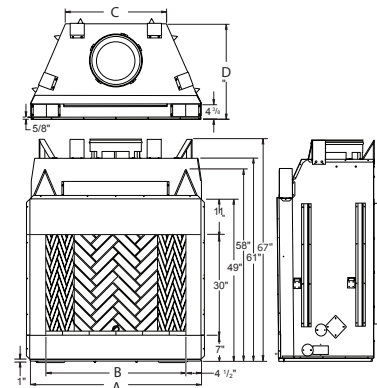
Luxury Series B-Vent Fireplaces (Premium Masonry Chassis & Burner / Log Modules)					
MODEL #	DESCRIPTION	BTU	CONTROL	FUEL	WEIGHT
Premium Chassis					
BVC-36YA	36" Fireplace chassis	-	-	-	210.0 lbs.
BVC-42YA	42" Fireplace chassis	-	-	-	230.0 lbs.
BVC-50YA	50" Fireplace chassis	-	-	-	288.0 lbs.
Premium Gas Burner / Log Module					
BBM-36N-JHB	36" Gas Burner / Log Module	53,000	Electronic Ignition	Natural	38.0 lbs.
BBM-36P-JHB	36" Gas Burner / Log Module	52,000	Electronic Ignition	Propane	38.0 lbs.
BBM-42N-JHB	42" Gas Burner / Log Module	62,000	Electronic Ignition	Natural	38.0 lbs.
BBM-42P-JHB	42" Gas Burner / Log Module	59,000	Electronic Ignition	Propane	38.0 lbs.
BBM-50N-JHB	50" Gas Burner / Log Module	66,000	Electronic Ignition	Natural	38.0 lbs.
BBM-50P-JHB	50" Gas Burner / Log Module	63,000	Electronic Ignition	Propane	38.0 lbs.

Venting system: 8" Double Wall Chimney or 8" B Type Venting

Fireplace Dimensions

MODEL #	A	B	C	D
36" Fireplace	45	36	29	26 5/8
42" Fireplace	51	42	30 1/2	28 1/2
50" Fireplace	59	50	38 1/2	28 1/2

Note: All measurements are in inches. Dimensions in this catalog are approximate. For accurate dimensions, refer to the installation instructions.



Multi-view Series

Corner

Vantage Hearth's *Corner* is the perfect space saver model. These units, available in both left and right facing fireplaces, will blend into any open cornered wall or can be incorporated into room dividers. These unique designs offer a full 180° fireplace viewing area.

The 36" *Corner* features the tool-less entry hinged glass door design and comes standard with full refractory brick liner, ceramic fiber round oak log set, and flex gas line with shut-off valve. Piezo ignition and adjustable flame control on millivolt models only.



Peninsula

Vantage Hearth's *Peninsula* is a perfect match for a custom home or office. This model is equally beautiful when viewed from any of the three open sides.

The 36" *Peninsula* features the tool-less entry hinged glass door design and comes standard with full refractory brick liner, ceramic fiber round oak log set, and flex gas line with shut-off valve. Piezo ignition and adjustable flame control on millivolt models only.



See-Thru

Vantage Hearth's *See-Thru* allows you to enjoy the beauty of the same fireplace from two rooms. This unit is ideal for either new construction or an addition to an existing wall.

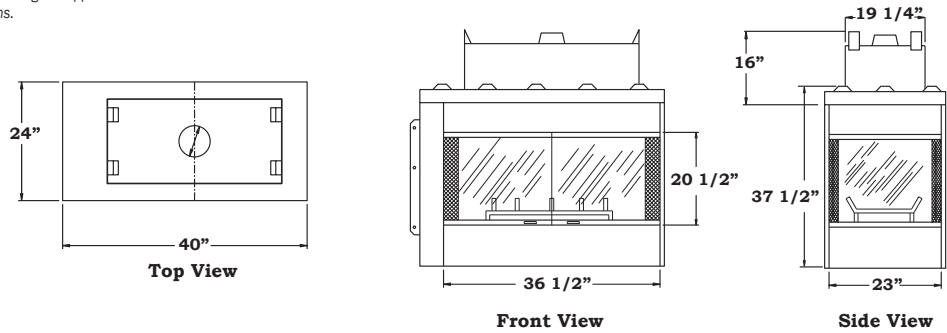
The 36" *See-Thru* features the tool-less entry hinged glass door design and comes standard with full refractory brick liner, ceramic fiber round oak log set and flex gas line with shut-off valve. Piezo ignition and adjustable flame control on millivolt models only.

Multi-view Series B-Vent Fireplaces (Corner, Peninsula, See Thru)					
MODEL #	DESCRIPTION	BTU	CONTROL	FUEL	WEIGHT
Corner					
VGL36CR	36" Corner B-Vent Fireplace	42,000	Millivolt	Natural	220.0 lbs.
VGL36CRP	36" Corner B-Vent Fireplace	42,000	Millivolt	Propane	220.0 lbs.
VGL36CL	36" Corner B-Vent Fireplace	42,000	Millivolt	Natural	220.0 lbs.
VGL36CLP	36" Corner B-Vent Fireplace	42,000	Millivolt	Propane	220.0 lbs.
Peninsula					
VGL36PN	36" Peninsula B-Vent Fireplace	42,000	Millivolt	Natural	220.0 lbs.
VGL36PNP	36" Peninsula B-Vent Fireplace	42,000	Millivolt	Propane	220.0 lbs.
See Thru					
VGL36ST	36" See Thru B-Vent Fireplace	42,000	Millivolt	Natural	265.0 lbs.
VGL36STP	36" See Thru B-Vent Fireplace	42,000	Millivolt	Propane	265.0 lbs.

Venting system: 6" B Type Venting

Fireplace Dimensions

Note: All measurements are in inches. Dimensions in this catalog are approximate. For accurate dimensions, refer to the installation instructions.



Accessories for B-Vent Fireplaces		
MODEL #	DESCRIPTION	WEIGHT
Remote Controls		
MRC	Receiver and Hand-Held On/Off Remote Control Kit	1.0 lb.
TRC	Receiver and Hand-Held T-Stat Remote Control Kit	1.0 lb.
WRC	Remote Control Kit for Electronic Ign.	1.0 lb.
GWMT1	Wall Mount Thermostatic Control Kit	1.0 lb.
GWMS2	Wall Mount On/Off Switch Kit	1.0 lb.
Fan Kits		
BK	Variable Speed Blower with Manual Control	5.0 lbs.
Air Kits		
AK4	Complete Kit with Collar, Hood & 3' Flex	1.0 lb.
AK4X	Collar & Hood Kit Only - No Flex	1.0 lb.
AK4B	50 piece Bulk Collar Only	20.0 lbs.
Accessories for Traditional Series B-Vent Fireplaces		
MODEL #	DESCRIPTION	WEIGHT
Panel Kits		
SP32	32" Smooth Faced Panel Kit - Black	7.0 lbs.
SL32	32" Stamped Louver Panel Kit - Black	7.0 lbs.
RL32	32" Rolled Louver Panel Kit - Black	7.0 lbs.
FP32	32" Filigree Panel Kit - Black	7.0 lbs.
FP32B	32" Filigree Panel Kit - Brushed Brass	7.0 lbs.
FP32P	32" Filigree Panel Kit - Platinum	7.0 lbs.
SP36	36" Smooth Faced Panel Kit - Black	7.0 lbs.
SL36	36" Stamped Louver Panel Kit - Black	7.0 lbs.
RL36	36" Rolled Louver Panel Kit - Black	9.0 lbs.
FP36	36" Filigree Panel Kit - Black	9.0 lbs.
FP36B	36" Filigree Panel Kit - Brushed Brass	9.0 lbs.
FP36P	36" Filigree Panel Kit - Platinum	9.0 lbs.
SP42	42" Smooth Faced Panel Kit - Black	6.0 lbs.
SL42	42" Stamped Louver Panel Kit - Black	6.0 lbs.
RL42	42" Rolled Louver Panel Kit - Black	11.0 lbs.
FP42	42" Filigree Panel Kit - Black	6.0 lbs.
FP42B	42" Filigree Panel Kit - Brushed Brass	6.0 lbs.
FP42P	42" Filigree Panel Kit - Platinum	6.0 lbs.
Louver Trim Kits (Fits Rolled Louvers Only, Requires Rolled Louver Panel Kit Above)		
LT32B	32" 4-pc. Rolled Louver Trim Kit - Brushed Brass	2.0 lbs.
LT32P	32" 4-pc. Rolled Louver Trim Kit - Platinum	2.0 lbs.
LT36B	36" 4-pc. Rolled Louver Trim Kit - Brushed Brass	3.0 lbs.
LT36P	36" 4-pc. Rolled Louver Trim Kit - Platinum	3.0 lbs.
LT42B	42" 4-pc. Rolled Louver Trim Kit - Brushed Brass	4.0 lbs.
LT42P	42" 4-pc. Rolled Louver Trim Kit - Platinum	4.0 lbs.
Brick Liner Kits		
BL32S	32" Stacked Refractory Brick Kit - Almond White	40.0 lbs.
BL36S	36" Stacked Refractory Brick Kit - Almond White	84.0 lbs.
BL36HS	36" Herringbone Refractory Brick Kit - Almond White	84.0 lbs.
BL42S	42" Stacked Refractory Brick Kit - Almond White	112.0 lbs.
BL42HS	42" Herringbone Refractory Brick Kit - Almond White	112.0 lbs.

Traditional Series B-Vent Fireplaces (Standard, Performance, Premium)		
MODEL #	DESCRIPTION	WEIGHT
Perimeter Trim Kits		
PT32	32" Perimeter Trim Kit - Black	2.0 lbs.
PT32B	32" Perimeter Trim Kit - Brushed Brass	2.0 lbs.
PT32P	32" Perimeter Trim Kit - Platinum	2.0 lbs.
PT36	36" Perimeter Trim Kit - Black	3.0 lbs.
PT36B	36" Perimeter Trim Kit - Brushed Brass	3.0 lbs.
PT36P	36" Perimeter Trim Kit - Platinum	3.0 lbs.
PT42	42" Perimeter Trim Kit - Black	4.0 lbs.
PT42B	42" Perimeter Trim Kit - Brushed Brass	4.0 lbs.
PT42P	42" Perimeter Trim Kit - Platinum	4.0 lbs.
Glass Doors		
BD32	32" Bi-Fold Glass Doors - Black	15.0 lbs.
BD32B	32" Bi-Fold Glass Doors - Brushed Brass	15.0 lbs.
BD32P	32" Bi-Fold Glass Doors - Platinum	15.0 lbs.
BD36	36" Bi-Fold Glass Doors - Black	16.0 lbs.
BD36B	36" Bi-Fold Glass Doors - Brushed Brass	16.0 lbs.
BD36P	36" Bi-Fold Glass Doors - Platinum	16.0 lbs.
BD42	42" Bi-Fold Glass Doors - Black	162.0 lbs.
BD42B	42" Bi-Fold Glass Doors - Brushed Brass	162.0 lbs.
BD42P	42" Bi-Fold Glass Doors - Platinum	257.0 lbs.
Luxury Series B-Vent Fireplaces (Premium Masonry)		
MODEL #	DESCRIPTION	WEIGHT
Firebrick Wall Systems		
MKB-36SS-RA	36" Stacked Firebrick Wall System - Warm Red	215.0 lbs.
MKB-36SH-RA	36" Herringbone Firebrick Wall System - Warm Red	230.0 lbs.
MKB-36SS-IA	36" Stacked Firebrick Wall System - Ivory	215.0 lbs.
MKB-36SH-IA	36" Herringbone Firebrick Wall System - Ivory	230.0 lbs.
MKB-42SS-RA	42" Stacked Firebrick Wall System - Warm Red	264.0 lbs.
MKB-42SH-RA	42" Herringbone Firebrick Wall System - Warm Red	282.0 lbs.
MKB-42SS-IA	42" Stacked Firebrick Wall System - Ivory	264.0 lbs.
MKB-42SH-IA	42" Herringbone Firebrick Wall System - Ivory	282.0 lbs.
MKB-50SS-RA	50" Stacked Firebrick Wall System - Warm Red	294.0 lbs.
MKB-50SH-RA	50" Herringbone Firebrick Wall System - Warm Red	314.0 lbs.
MKB-50SS-IA	50" Stacked Firebrick Wall System - Ivory	294.0 lbs.
MKB-50SH-IA	50" Herringbone Firebrick Wall System - Ivory	314.0 lbs.
Multi-View Series B-Vent Fireplaces (Corner, Peninsula, See Thru)		
MODEL #	DESCRIPTION	WEIGHT
Glass Doors		
DCGL36C	Corner Glass Doors, 1 side & End panel - Brushed Brass	24.0 lbs.
DBBGL36C	Corner Glass Doors, 1 side & End panel - Black	24.0 lbs.
DBGGL36C	Corner Glass Doors, 1 side & End panel - Platinum	24.0 lbs.
DCGL36PN	Peninsula Glass Doors, 2 sides & End panel - Brushed Brass	40.0 lbs.
DBBGL36PN	Peninsula Glass Doors, 2 sides & End panel - Black	40.0 lbs.
DBGGL36PN	Peninsula Glass Doors, 2 sides & End panel - Platinum	40.0 lbs.
DCGL36ST	See Thru Glass Door, 2 Sides - Brushed Brass	36.0 lbs.
DBBGL36ST	See Thru Glass Door, 2 Sides - Black	36.0 lbs.
DBGGL36ST	See Thru Glass Door, 2 Sides - Platinum	36.0 lbs.



Look For Us Online:
www.fmiproductions.com

IMPORTANT

Installation must be done by qualified service persons. Read Owner's Manual before using. Check local codes and ordinances for permitted uses. Vent-free gas products are prohibited for bedroom and bathroom installation in Massachusetts. All products approved for manufactured (mobile) home installation. We reserve the right to amend product specifications without notice. Operating heater at very high elevations could cause nuisance outages.

Use with adequate air (ventilation) only. Humidifies while it heats. Provides water vapor in the area heated. Refer to owner's manual for specifics. The only warranty we offer is our standard warranty. Please read the warranty for any limitations or disclaimers. All parts have a limited two year warranty. Stainless Steel burners carry a limited five year warranty. All accessories have a one year warranty.