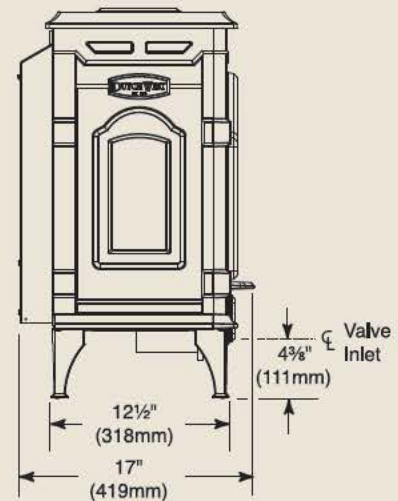
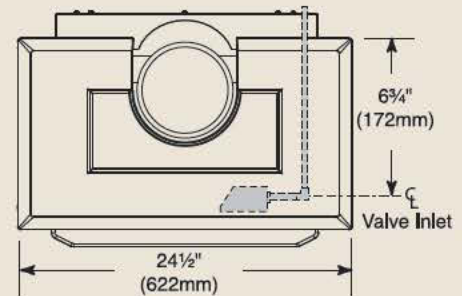
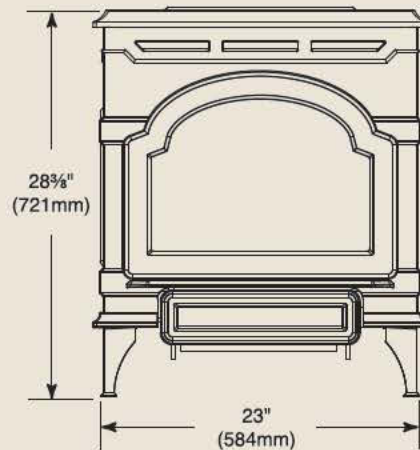


PRODUCT SPECIFICATIONS

# OXDV30NV Direct Vent Cast Stove



### ACTUAL DIMENSIONS

Unit Depth: 12-1/2"

Unit Height: 28-3/8"

Unit Width: 23"

### TECHNICAL INFORMATION

BTU Input High: 28,000

BTU Input Low: 21,000

EnerGuide Ratings Fireplace Efficiency: 61.3%

AFUE by D.O.E. Efficiency: 71%

Steady State Efficiency Rating: 81%

Weight: 238lbs.

### STANDARD FEATURES

FK26 fan

Ambient Technologies Remote Controls and Thermostats



A Brand of Monessen Hearth Systems Co.  
149 Cleveland Drive, Paris, Kentucky 40361

[www.monessenhearth.com](http://www.monessenhearth.com)



To avoid personal injury or property damage, the product described by this brochure must be installed, operated and maintained in strict compliance with the instructions packaged with the product and all applicable building or fire codes. Contact local building or fire officials about restrictions and installation inspection requirements. All photographs and drawings on this brochure are for illustrative purposes only and are not intended for, nor should they be used as a substitute for the instructions packaged with the unit. Appearance and specifications of the product are subject to change without notice. © 2010 Monessen Hearth Systems Co.