

PRODUCT SPECIFICATIONS
DIS33G Vent Free Insert



INTERIOR DIMENSIONS

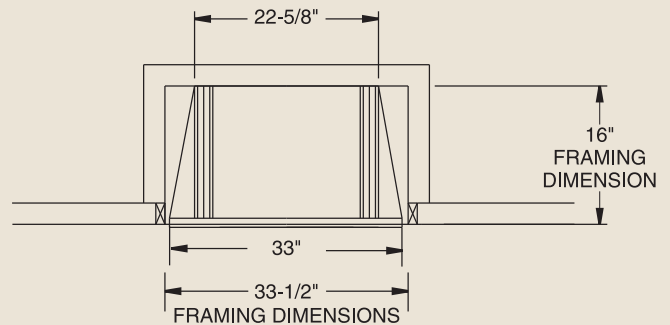
Front opening width: 27"
 Front opening height: 14-1/2"
 Rear wall width: 21"
 Firebox depth: 13"

TECHNICAL INFORMATION

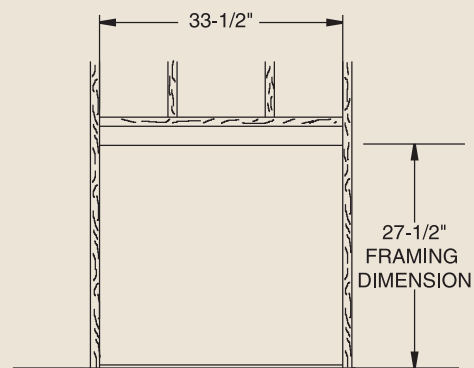
Max. BTU Input: 28,000 BTU/HR
 Ignition System: Standing Pilot
 Gas Type: Natural or LP
 Controls: Thermostat or Millivolt
 Clearance to Fireplace: Zero
 CSA Design Certified

FIELD INSTALLED ACCESSORIES

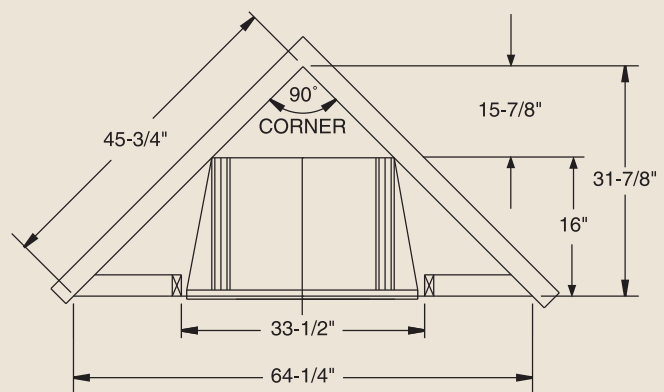
Louvers: Polished Brass
 Black Small Face Plate (33" H x 43" W): Includes Brass Trim
 Black Large Face Plate (36" H x 50" W): Includes Brass Trim
 Volcanic Rock
 Ceramic Fiber Cinders
 Ambient Technologies™ Remote Controls and Thermostats



TOP VIEW



FRONT VIEW



CORNER VIEW



A Brand of Monessen Hearth Systems Co.
 149 Cleveland Drive, Paris, Kentucky 40361

www.monessenhearth.com



To avoid personal injury or property damage, the product described by this brochure must be installed, operated and maintained in strict compliance with the instructions packaged with the product and all applicable building or fire codes. Contact local building or fire officials about restrictions and installation inspection requirements. All photographs and drawings on this brochure are for illustrative purposes only and are not intended for, nor should they be used as a substitute for the instructions packaged with the unit. Appearance and specifications of the product are subject to change without notice. © 2009 Monessen Hearth Systems Co.