

PRODUCT SPECIFICATIONS

VFCS30D/CSVF30S Vent Free Stoves



APPROXIMATE HEATING AREA

1,500 (Square Feet)

TECHNICAL INFORMATION

Max. Btu Input: 32,000 BTU/HR

Thermal Efficiency: 99.9%

Actual Dimensions: 26-3/4" W x 28-1/2" H x 19-3/4" D

CSA Design Certified

STANDARD FEATURES

Fixed Single Door (CSVF30S): available in Graphic, Enamel Black, Enamel Brown, Enamel Sand

Operable Double Door (VFCS30D): available in Graphic, Enamel Black, Enamel Brown, Enamel Sand

Millivolt with on/off switch and variable flame height control

Flexible connector with on/off valve included

No venting required for ease of installation

Consumer friend deluxe control panel

FIELD INSTALLED ACCESSORIES

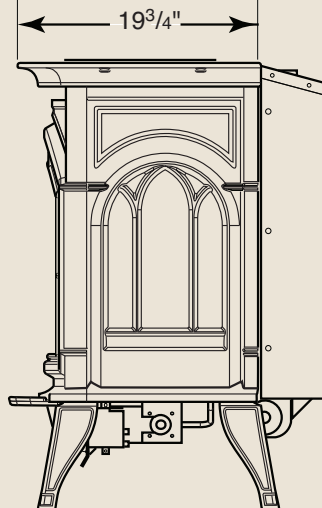
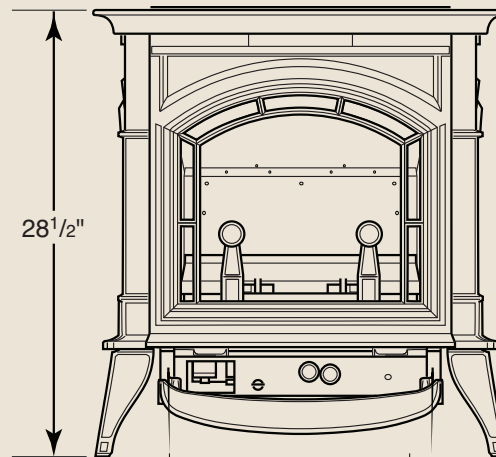
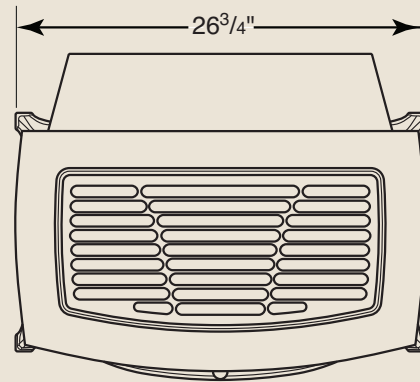
Warming Shelf: available in Graphic, Enamel Black, Enamel Brown, Enamel Sand

New Triple Play Burner System with exclusive triple effect technology

Medium stove screen for operable double doors (SK30)

Variable thermostat controlled forced air blower, 135 cfm (BLOTS)

Ambient Technologies™ Remote Controls and Thermostats



A Brand of Monessen Hearth Systems Co.
149 Cleveland Drive, Paris, Kentucky 40361

www.monessenhearth.com



To avoid personal injury or property damage, the product described by this brochure must be installed, operated and maintained in strict compliance with the instructions packaged with the product and all applicable building or fire codes. Contact local building or fire officials about restrictions and installation inspection requirements. All photographs and drawings on this brochure are for illustrative purposes only and are not intended for, nor should they be used as a substitute for the instructions packaged with the unit. Appearance and specifications of the product are subject to change without notice. © 2009 Monessen Hearth Systems Co.