

PRODUCT SPECIFICATIONS  
**WR2500X02 Wood Insert**



**INSERT DIMENSIONS**

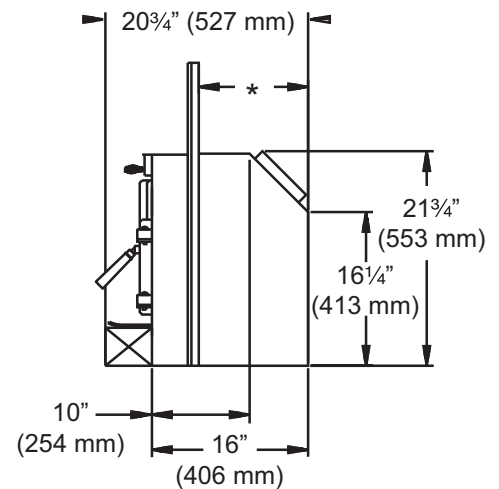
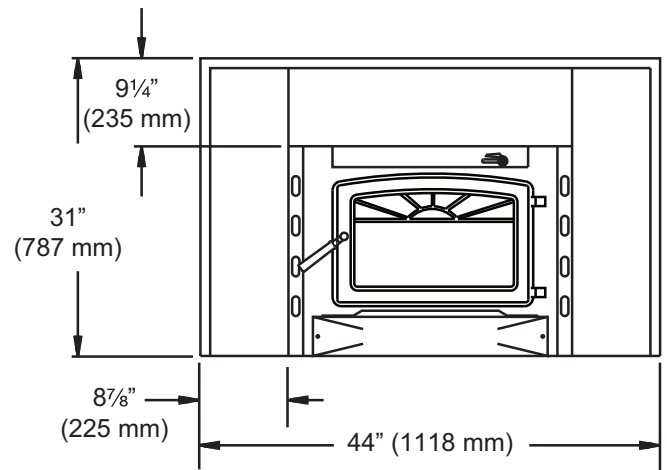
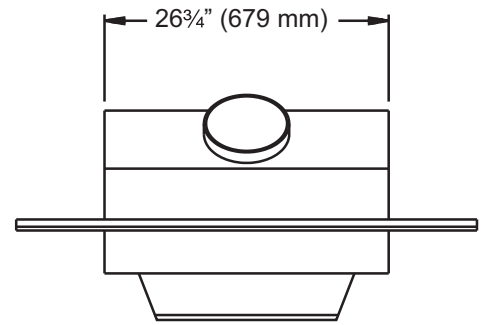
Unit Height: 21-3/4"  
 Unit Width: 26-3/4"  
 Unit Depth: 20-3/4"

**TECHNICAL INFORMATION**

Heat Capacity: Up to 1,500 sq. ft.  
 EPA Burn Rate (BTU/hr.): 9,600-58,000  
 Average Efficiency: 64%  
 Average Emissions: 4.7 g/hr.  
 Firebox Volume cu. ft.: 81%  
 Log Length: 20"  
 Product Weight: 250lbs.  
 Minimum Fireplace Opening: 23-3/4" H x 30-3/4" x 10"D  
 Firebox Vol cu ft.: 1.3

**FIELD INSTALLED ACCESSORIES**

Brick-lined firebox  
 Blower  
 Faceplate (44-1/8" W x 31"H) with nickel trim



\* Adjustable 10" (254 mm) to 14" (356 mm)



A Brand of Monessen Hearth Systems Co.  
 149 Cleveland Drive, Paris, Kentucky 40361  
[www.majesticproducts.com](http://www.majesticproducts.com)



To avoid personal injury or property damage, the product described by this brochure must be installed, operated and maintained in strict compliance with the instructions packaged with the product and all applicable building or fire codes. Contact local building or fire officials about restrictions and installation inspection requirements. All photographs and drawings on this brochure are for illustrative purposes only and are not intended for, nor should they be used as a substitute for the instructions packaged with the unit. Appearance and specifications of the product are subject to change without notice. 06/10 Rev.1