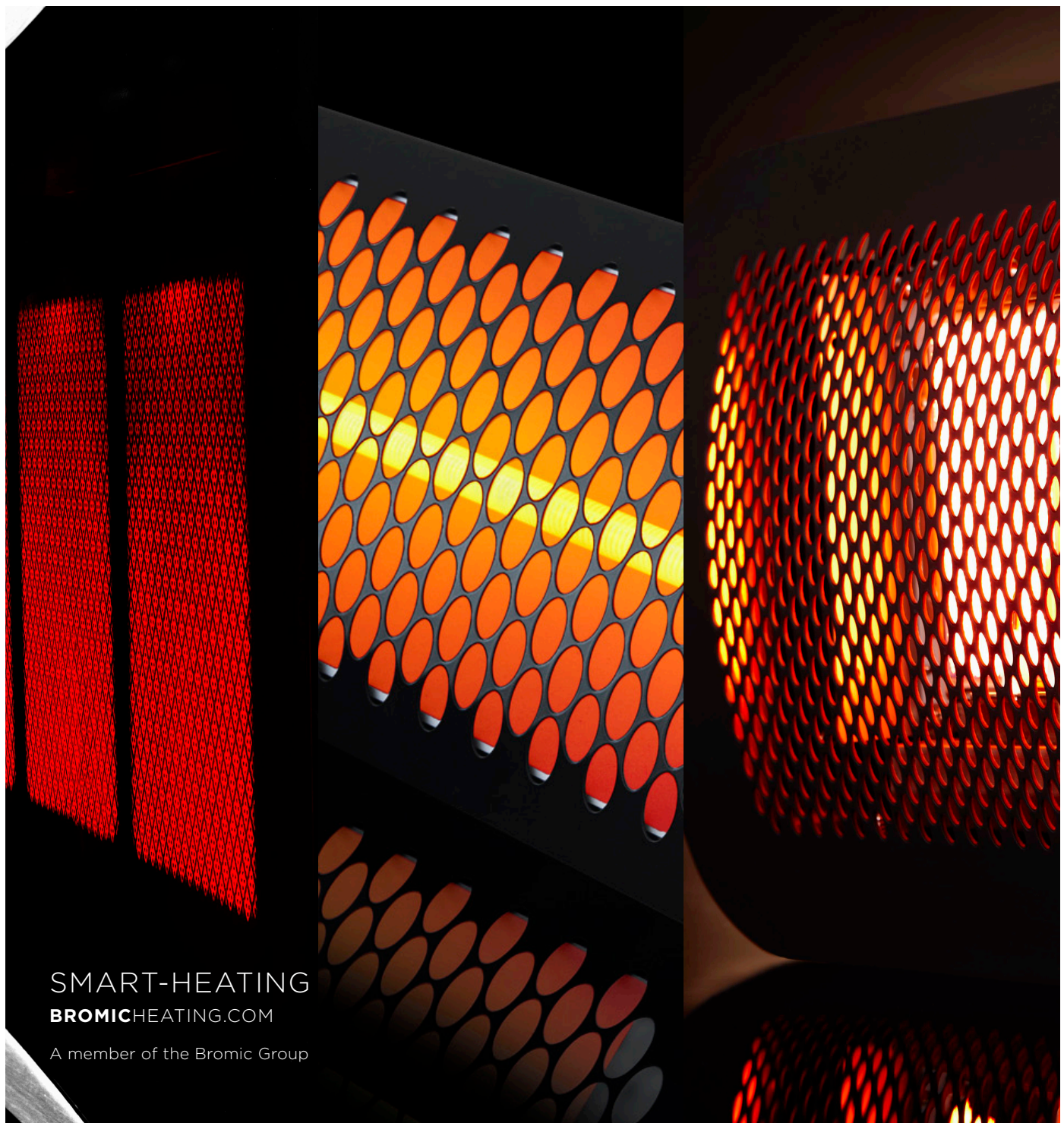




Bromic Heating
Information Pack



SMART-HEATING
BROMICHEATING.COM

A member of the Bromic Group

Contents

Platinum Smart-Heat™ Gas	3
Specifications	4
Dimensions	5
Recommended Installation Clearances	5
Tungsten Smart-Heat™ Gas	7
Specifications	8
Dimensions	9
Recommended Installation Clearances	9
Smart-Heat Gas Wall Bracket Dimensions	11
Smart-Heat Gas Accessories	12
Ceiling Pole	12
Ceiling Pole Paddle Dimensions	12
Smart-Heat Gas Bracket	13
Tungsten Smart-Heat™ Electric	15
Specifications	16
Dimensions	17
Recommended Installation Clearances	17
Pre-Installation Checklist	18
Maintenance and Care	19

Product Feature Key



Even heat distribution

Heat from the burners is transmitted through a translucent ceramic medium which allows a more effective dispersion of heat.



Smart Control System

Simultaneously & instantly switch on heaters from a remote-located switch.



Wind Resistant

Effective heat guaranteed in windy conditions. (Wind resistance varies between models).



Symmetrical & Balanced Design

Stylish and aesthetically pleasing design.



Rotational Mounting Bracket

Heaters come standard with an easy-pivot arm which allows adjustment of heat direction. This provides greater versatility and heat coverage.



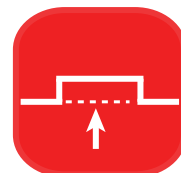
Water / Splash Resistant

The heater can sustain splashes of water from all angles and remain on.



Surface does not glow

Non-glowing heat to blend easily into any environment.



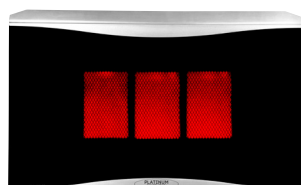
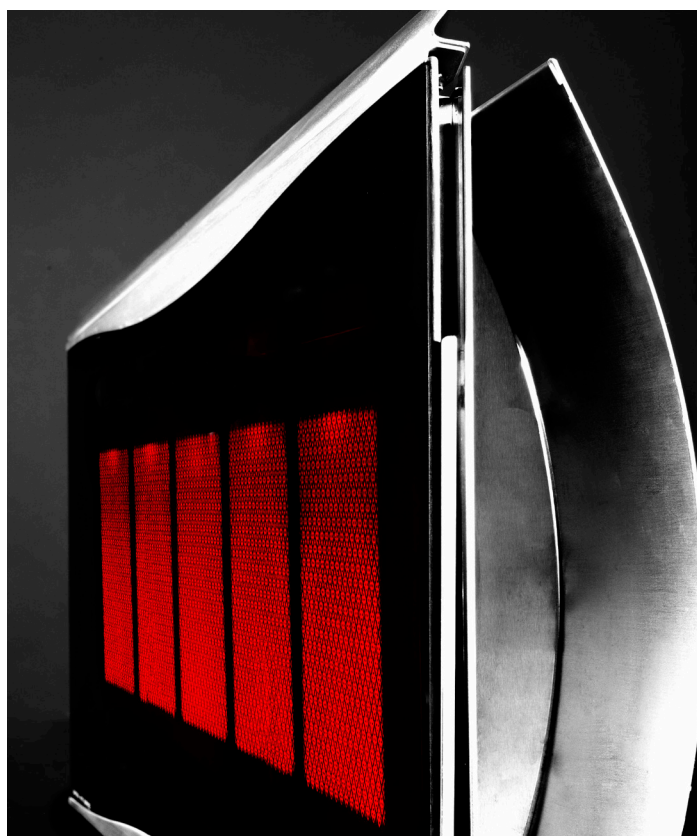
Recess option

Allows seamless integration into the heating area.

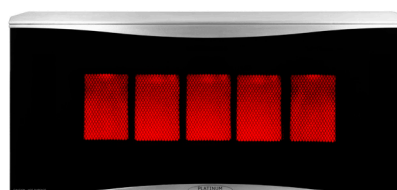
PLATINUM SMART-HEAT

Top quality
performance and
the looks to match

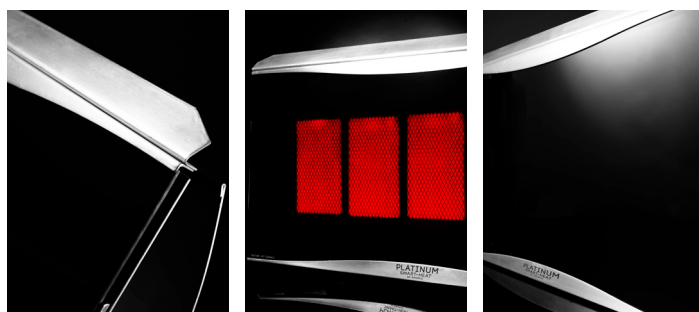
The brushed stainless steel and ceramic medium makes Platinum Smart-Heat™ Gas suitable for the most exclusive outdoor or home environments. By protecting the tiles behind its translucent ceramic medium, effective heat is guaranteed in winds of up to 11 mph.



Platinum Smart-Heat™ Gas
300 Series
Propane / Natural Gas



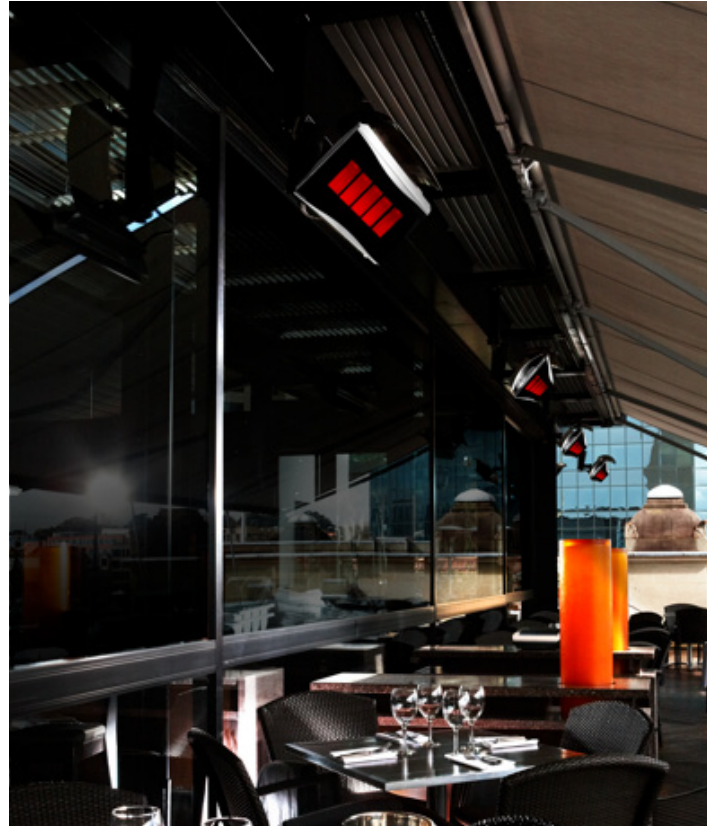
Platinum Smart-Heat™ Gas
500 Series
Propane / Natural Gas



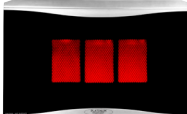
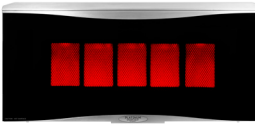
Smart-safety means that electronic controls allow automatic re-ignition if the heater goes out. The integrated flame safety shut-off turns the heater off if it does not re-ignite.

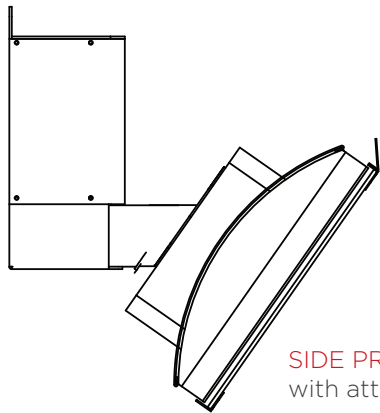
Features

- Full Stainless Steel Construction
- Higher levels of wind resistance. Platinum units are wind resistant to 11 mph.
- Electronic ignition. Can be wired into C-Bus and smart system controls
- Automatic Re-Ignition - In the instance of the unit blowing out, it will attempt to re-ignite 3 times, if this is unsuccessful the unit will shut down.
- Use of a ceramic medium creates the most even levels of heat dispersion.
- Can be run on LPG or Natural Gas
- Available in two sizes a 300 Series (23,600BTU) and a 500 Series (39,600BTU)
- Can be wall mounted or ceiling mounted
- Easy Pivot Arm bracket allows for direction of heat to be adjusted providing greater versatility and heat coverage

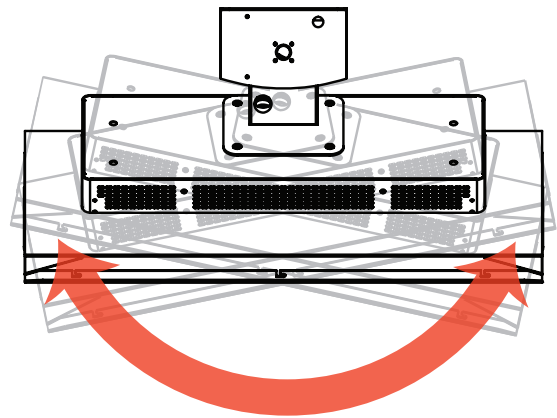


Specifications

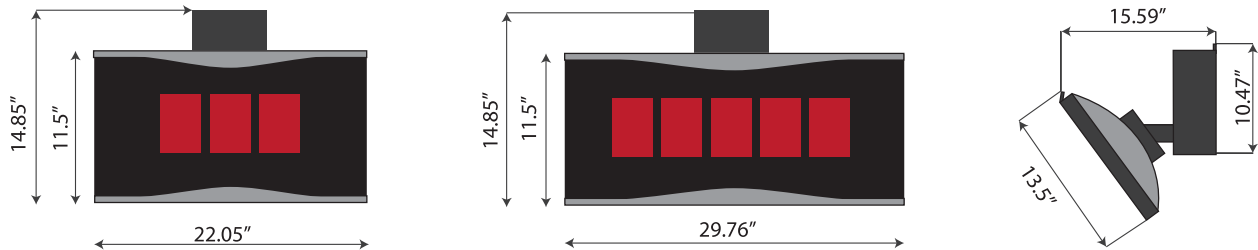
No. of Tiles		300 Series	500 Series
PLATINUM SMART-HEAT			
Part no.	LPG ¹	BH0110002	BH0110004
	Natural Gas ¹	BH0110001	BH0110003
Heat Deflector part no.		BH3030001	BH3030002
Ceiling Poles		5 pole lengths to suit ceiling heights of 10.5', 11.2', 11.8', 12.5' and 13' (contact Bromic Heating for more information)	
Heat Output (on LPG and NG)		23,600BTU	39,800BTU
Approximate area heated (m ²)		120ft ²	200ft ²
Gas connection		1/2" NPT Female	1/2" NPT Female
Electrical connection		110 Volt, 3-pin insulated plug	110 Volt, 3-pin insulated plug
Dimension (WxDxHmm)		22.05" x 15.59" x 14.85"	29.76" x 15.59" x 14.85"
Min. distance to combustable materials (without heat deflector)		Sides: 3'6" / 1100mm	
		Above (to ceiling): 3'6" / 1100mm	
(with heat deflector)		Above (to ceiling): 1'2" / 350mm	
Mounting height requirement to ground ⁴		8' / 2438mm	
Weight (kg)		33lb	40lb
<small>¹Must only be installed by a licensed technician. Must complete "Pre-Installation Checklist" before installing ² The temperature will not exceed 65°C/149°F above the ambient temperature at specified distance. Please consult material manufacturer for temperature ratings and suitability. Bromic Heating takes no responsibility for material compliance. ³8' / 2438mm or maybe lower depending on local regulations</small>			



SIDE PROFILE: Slim and streamlined with attractive black wall bracket

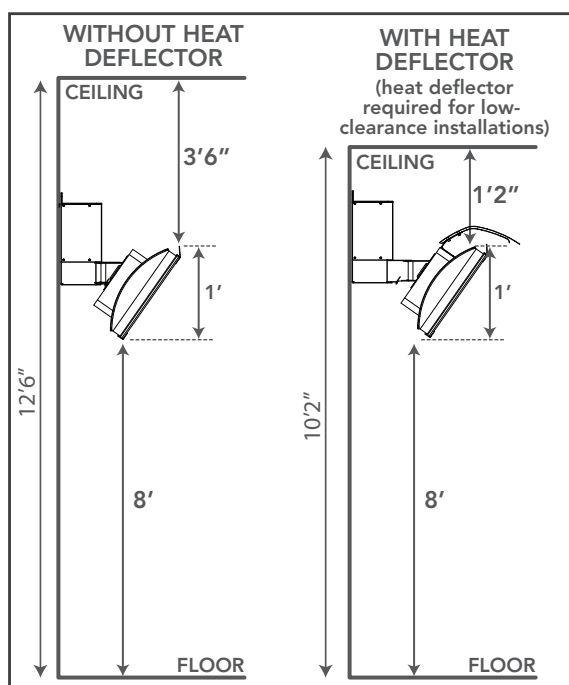


Dimensions (all measurements are in mm)

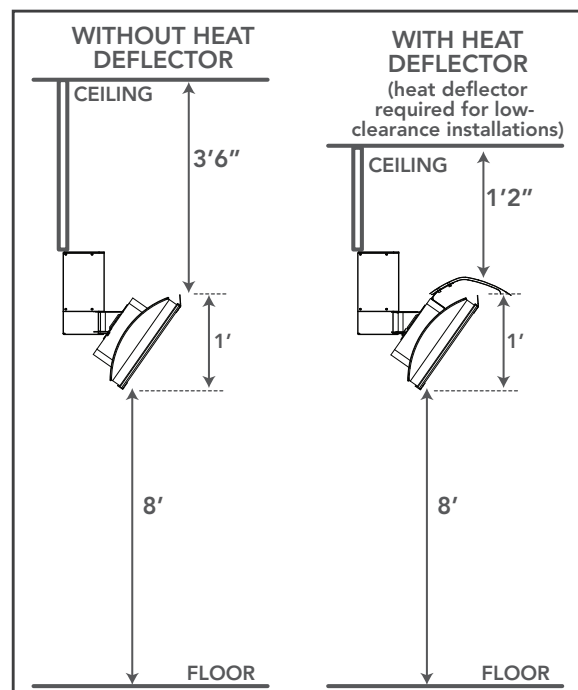


Recommended Minimum Installation Clearances*

OUTDOOR WALL MOUNTING**



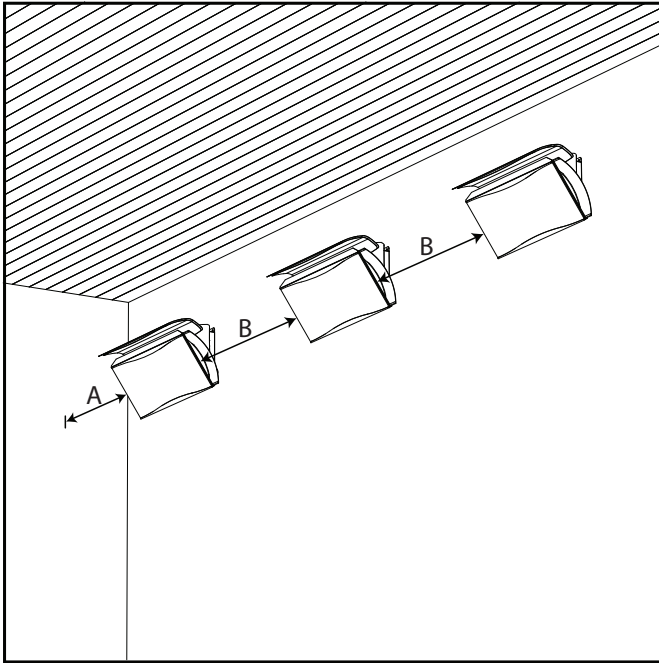
CEILING POLE MOUNTING



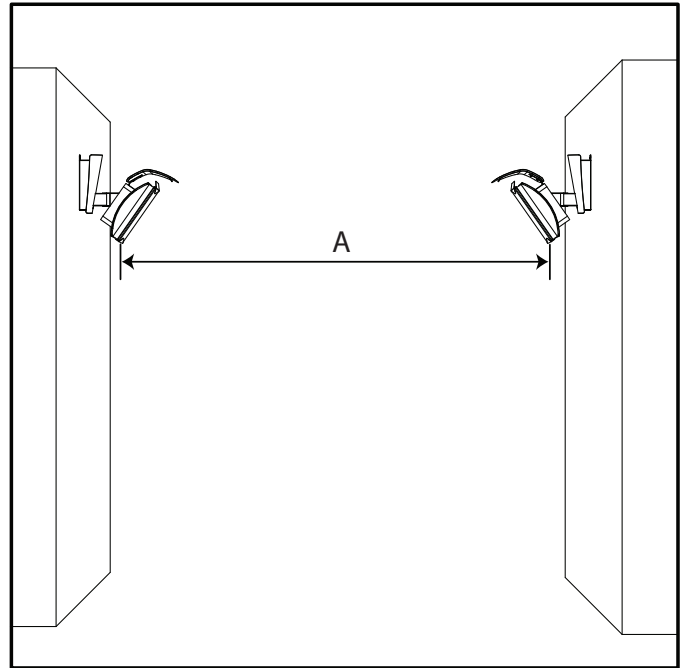
**For indoor wall mounting the distance from the floor must be 2500mm in commercial applications only.

*Installation must be performed in accordance with AS5601 installation code (or relevant standard) and must comply with any additional jurisdictional requirements. Brovic takes not responsibility for incorrect or non-compliant installations.

Recommended Mounting Distance*

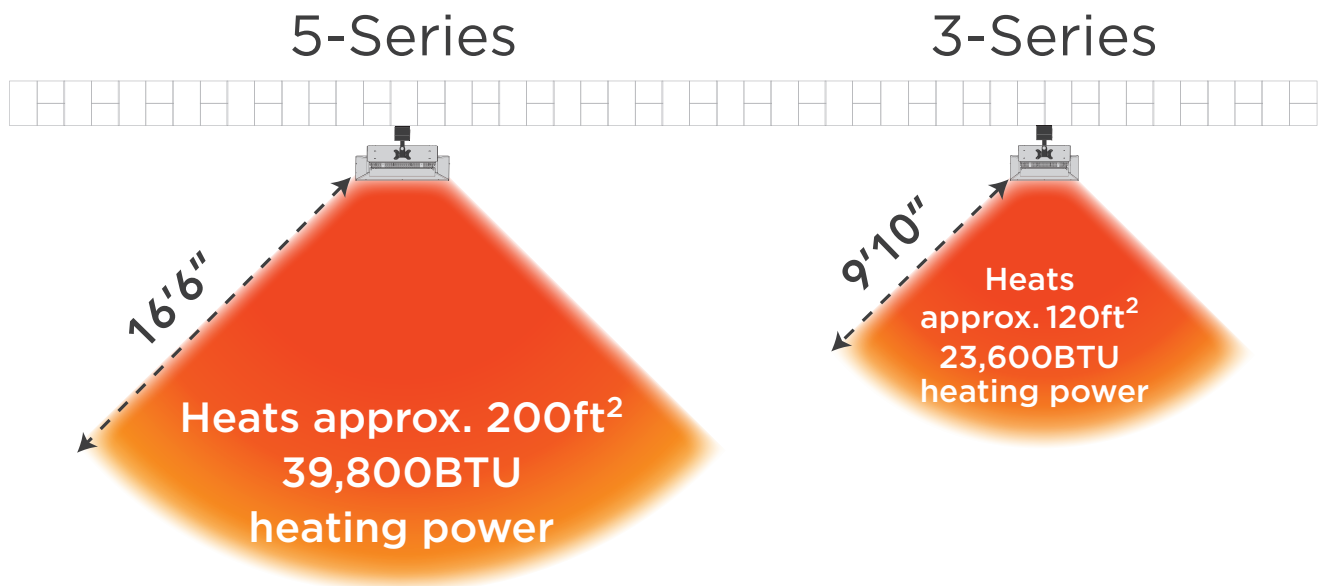


Model	A	B
300	3'7"	8'2" - 11'5"
500	3'7"	8'2" - 11'5"



Model	A
300	19'8" - 23'
500	26'3" - 29'6"

Heating Area



*Dependent upon ambient conditions and exposure of the area. An installation checklist should always be completed and submitted to Bromic Heating prior to installation.

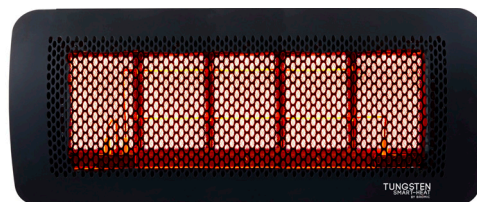
TUNGSTEN SMART-HEAT

A designed, cost-conscious product range that does not sacrifice aesthetics for function

The patented direct ignition system, never before seen on an outdoor gas radiant heater, ensures a reliable start and effective operation, even in winds of up to 8 mph.



Tungsten Smart-Heat™ Gas
300 Series
Propane / Natural Gas



Tungsten Smart-Heat™ Gas
500 Series
Propane / Natural Gas



Stainless steel with high temperature ceramic coating, maximizes long life and durability in tough outdoor environments. A neutral black finish ensures a fit with all decors.

Features

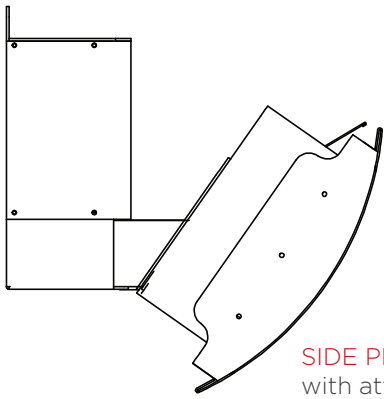
- Full Stainless Steel Construction with special high temperature ceramic coating.
- Higher levels of wind resistance. Tungsten units are wind resistant to 8 mph.
- Electronic ignition.
- Automatic Re-Ignition - In the instance of the unit blowing out. It will attempt to re-ignite, if this is unsuccessful the unit will shut down.
- Can be run on LPG or Natural Gas
- Available in two sizes a 300 Series (26,000BTU) and a 500 Series (43,000BTU)
- Can be wall mounted or ceiling mounted
- Easy Pivot Arm bracket allows for direction of heat to be adjusted providing greater versatility and heat coverage



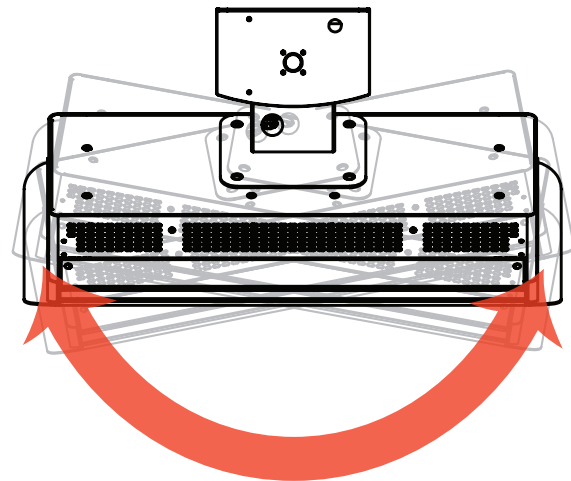
Specifications

		300 Series	500 Series
			
Part no.	LPG ¹	BH0210002	BH0210004
	Natural Gas ¹	BH0210001	BH0210003
Heat Deflector part no.		BH3030001	BH3030002
Ceiling Pole		5 pole lengths to suit ceiling heights of 10.5', 11.2', 11.8', 12.5' and 13' (contact Bromic Heating for more information)	
Heat Output (on LPG and NG)		26,000BTU	43,000BTU
Approximate area heated (m ²)		up to 120ft ²	up to 200ft ²
Gas connection		1/2" NPT Female	1/2" NPT Female
Electrical connection		110 Volt, 3-pin insulated plug	
Dimension (WxDxHmm)		19.29" x 14.09" x 14.25"	25.43" x 14.09" x 14.25"
Min. distance to combustible materials (without heat deflector) ² (with heat deflector)		Side: 3.6' / 1100mm	
		Above (to ceiling): 3'6" / 1100mm	
		Above (to ceiling): 1'2" / 350mm	
Mounting height requirement to ground ³		8' / 2438mm	8' / 2438mm
Weight (kg)		331lb	401lb

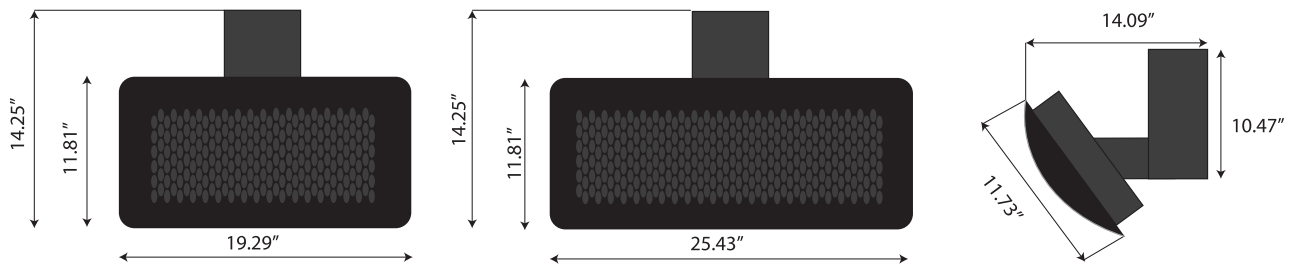
¹Must only be installed by a licensed technician. Must complete "Pre-Installation Checklist" before installing. ²The temperature will not exceed 65°C/149°F above the ambient temperature at specified distance. Please consult material manufacturer for temperature ratings and suitability. Bromic Heating takes no responsibility for material compliance. ³8' / 2438mm or maybe lower depending on local regulations



SIDE PROFILE: Stylish curved design with attractive black wall bracket

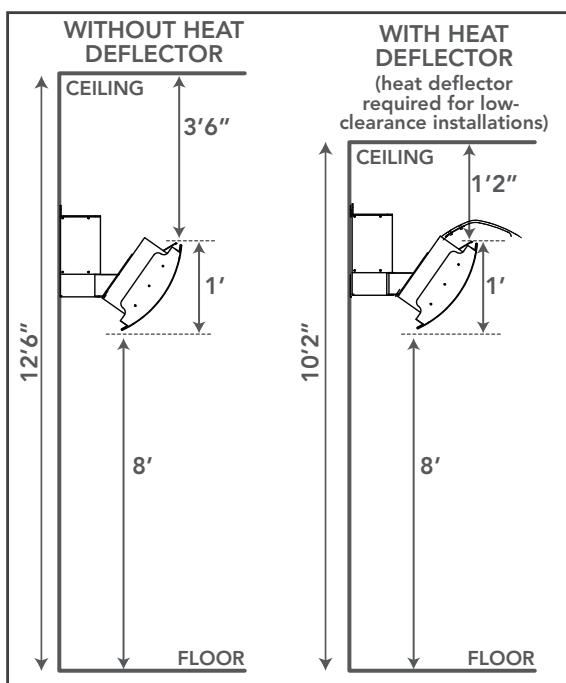


Dimensions (all measurements are in inches)

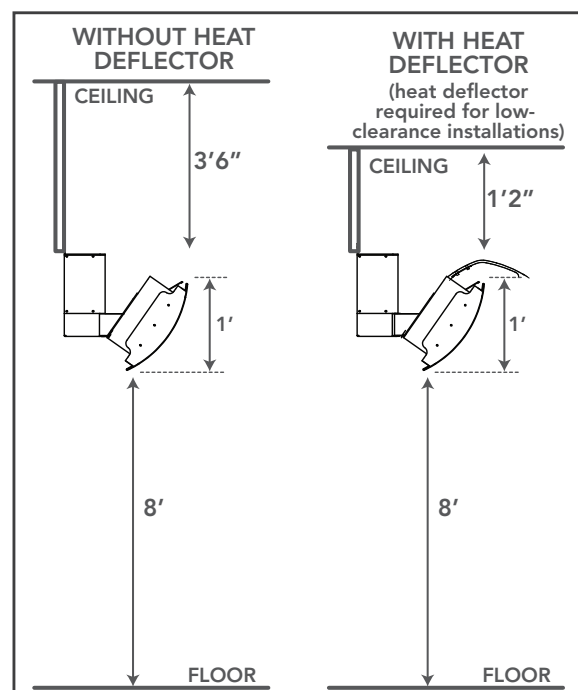


Recommended Minimum Installation Clearances*

OUTDOOR WALL MOUNTING**

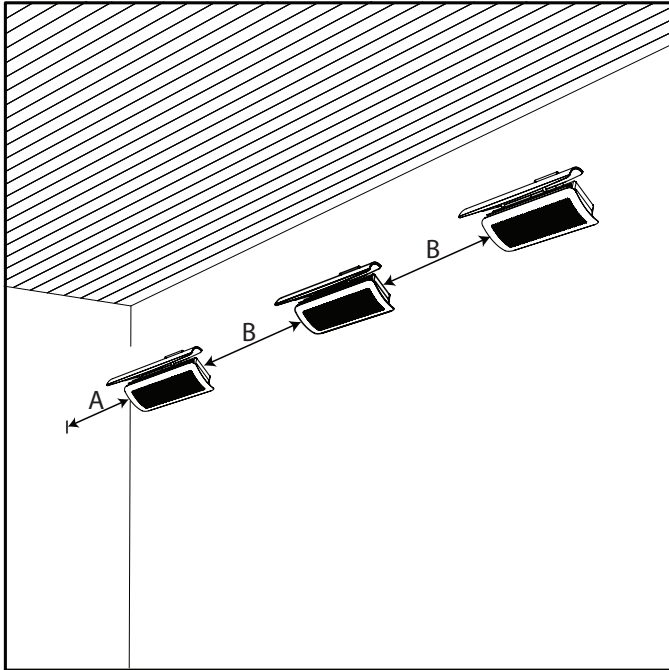


CEILING POLE MOUNTING

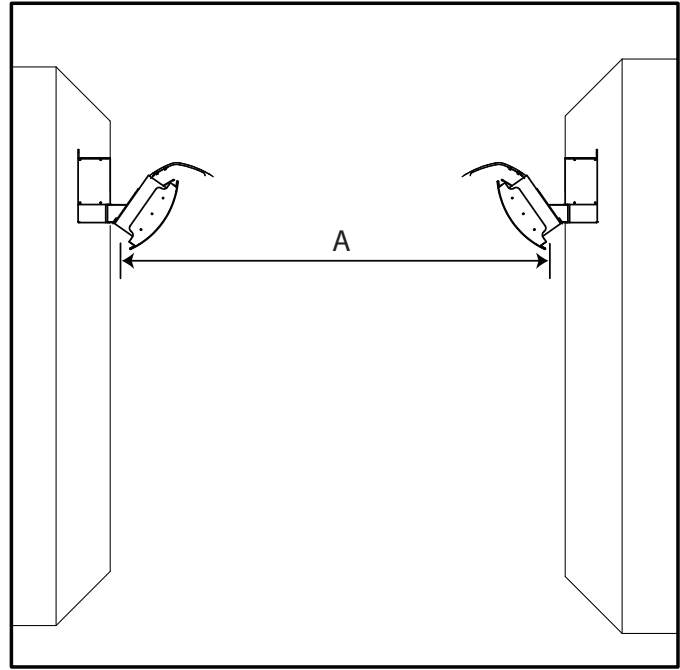


*Installation must be performed in accordance with local installation code (or relevant standard) and must comply with any additional jurisdictional requirements. Bromic takes not responsibility for incorrect or non-compliant installations.

Recommended Mounting Distance*

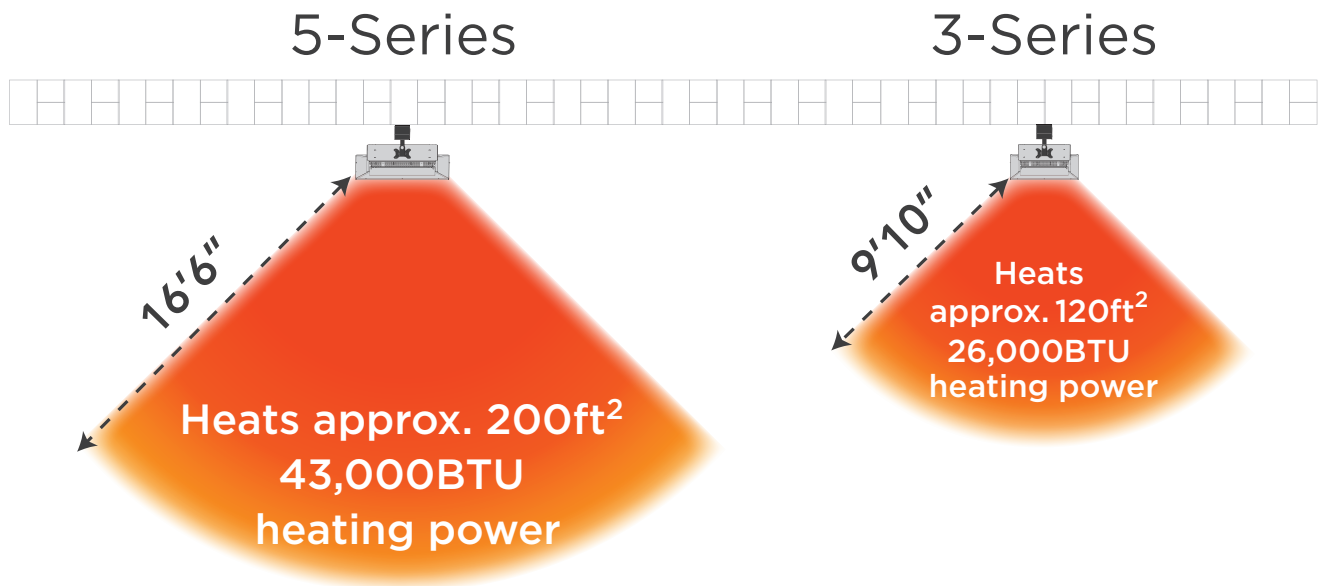


Model	A	B
300	3'7"	8'2" - 11'5"
500	3'7"	8'2" - 11'5"



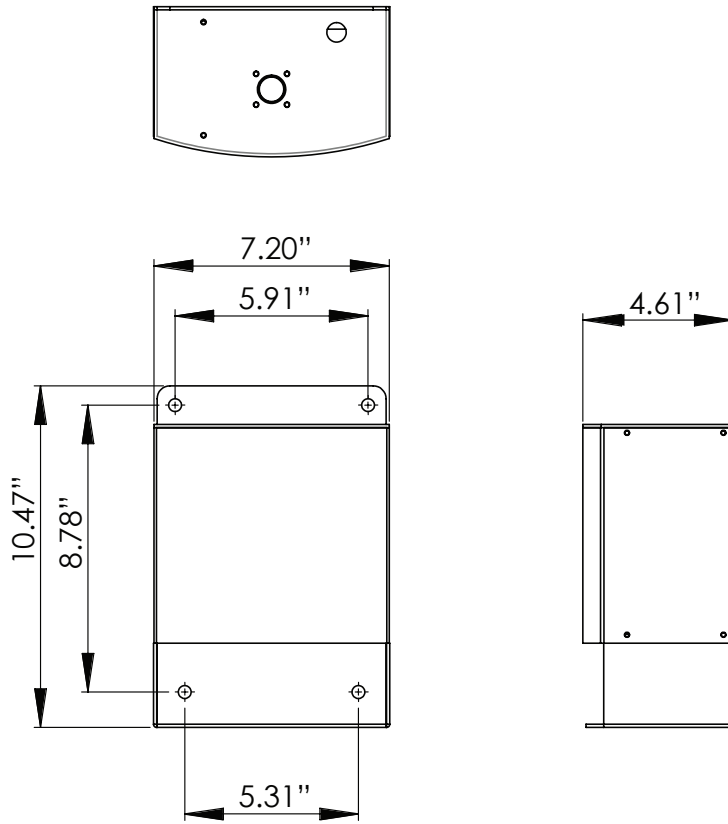
Model	A
300	19'8" - 23'
500	26'3" - 29'6"

Heating Area



*Dependent upon ambient conditions and exposure of the area. An installation checklist should always be completed and submitted to Bromic Heating prior to installation.

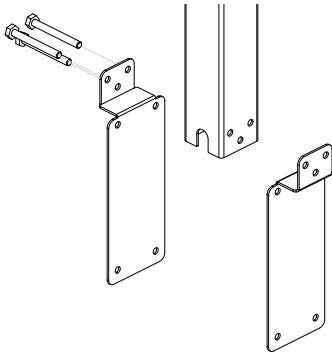
Smart-Heat Gas Wall Bracket Dimensions



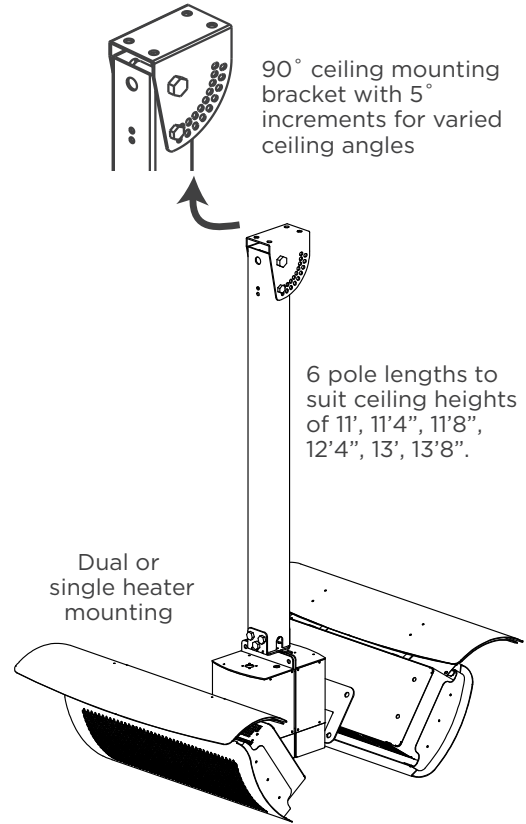
Accessories for Smart-Heat Gas Heaters*

Ceiling Pole

- The dual directional ceiling mount pole offers greater positioning versatility. They offer;
 - Dual or single heater mounting
 - 6 lengths to suit ceiling heights of 11', 11'4", 11'8", 12'4", 13', 13'8"
 - Adjustable mounting bracket to suit most installations

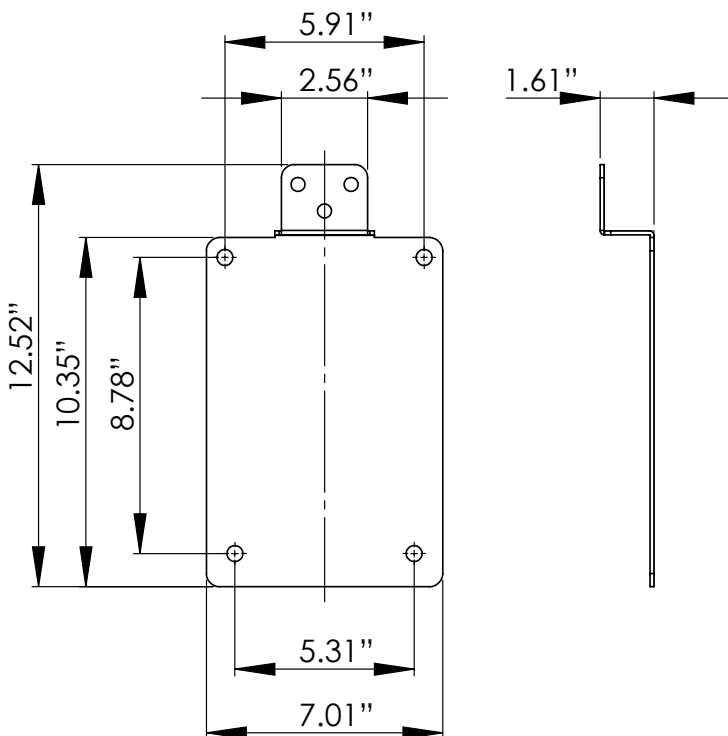


Ceiling Pole Paddles: Ceiling Pole Paddles must be placed with flat facis facing each other as per diagram.

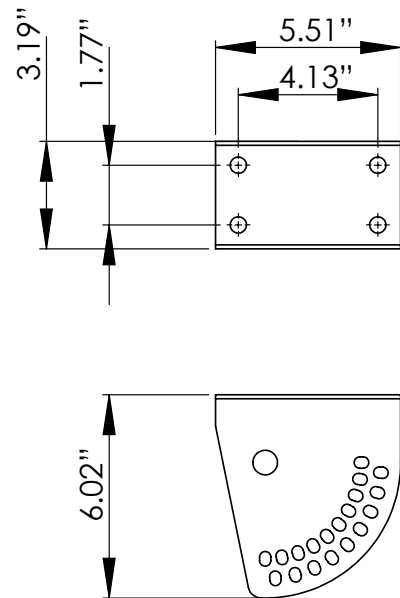


Dimensions

CEILING POLE PADDLES



CEILING POLE MOUNTING BRACKET



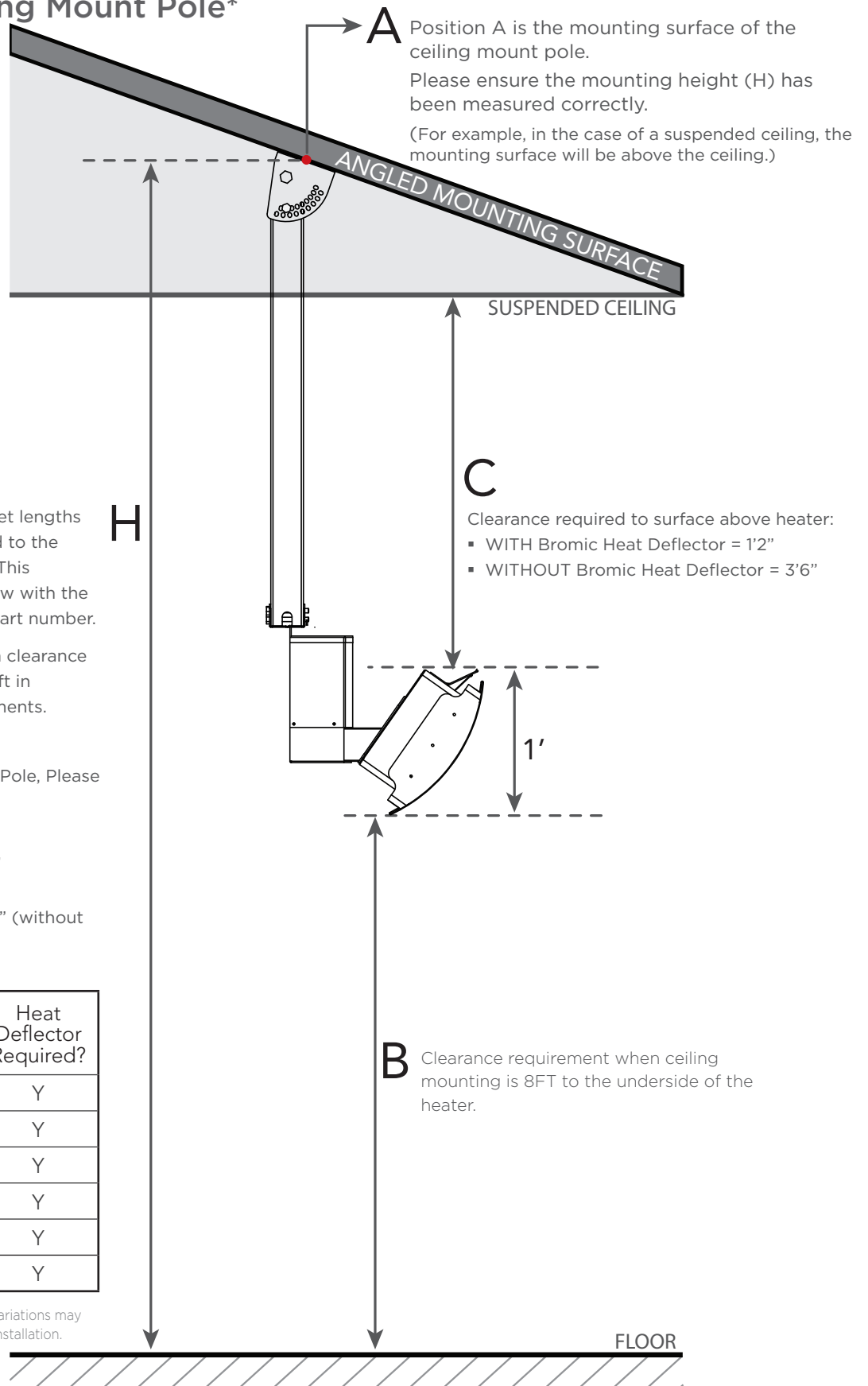
Accessories for Smart-Heat Gas Heaters* Continued

Installation of Ceiling Mount Pole*

Our ceiling poles cater for varying ceiling heights and angles.

This diagram illustrates one possible scenario where the mounting surface is angled, and a suspended ceiling is present.

If you have any questions please contact us on +61 2 9748 3900 or info@bromicheating.com



Bromic Ceiling Poles are made in 5 set lengths based on the height from the ground to the pole mounting surface (Position A). This distance (dimension H) is noted below with the corresponding Bromic Ceiling Pole part number.

Each Pole is manufactured to allow a clearance below the heater (Dimension B) of 8ft in accordance with installation requirements.

IMPORTANT:

When Selecting your Bromic Ceiling Pole, Please ensure that:

- Dimension B is no smaller than 8ft
- Dimension C is no smaller than 1'2" (with heat deflector)
- Dimension C is no smaller than 3'6" (without heat deflector)

Dimension H* (mm)	Bromic Part No.	Heat Deflector Required?
11'	BH3030003	Y
11'4"	BH3030004	Y
11'8"	BH3030005	Y
12'4"	BH3030006	Y
13'	BH3030007	Y
13'8"	BH3030008	Y

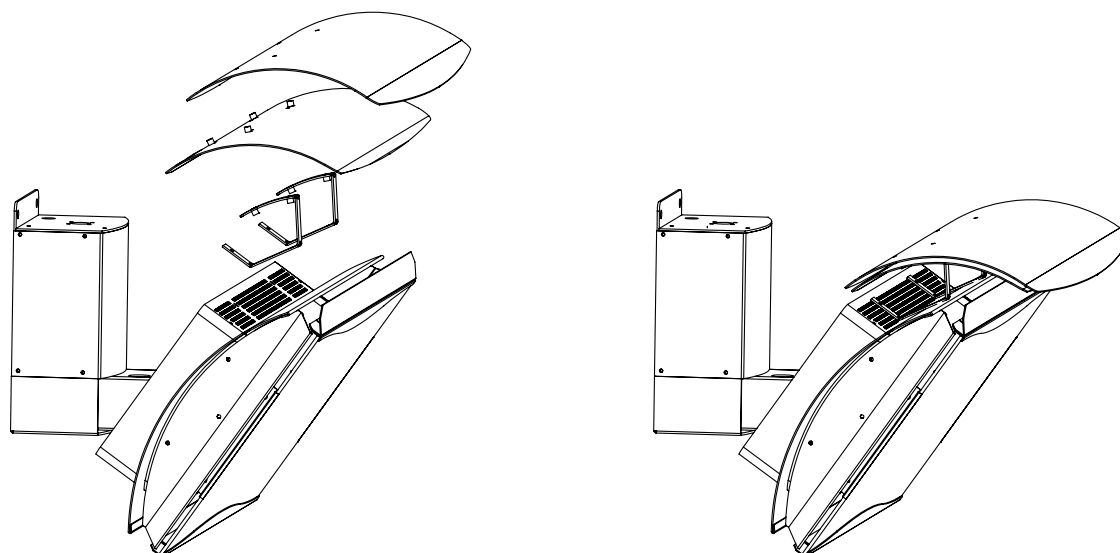
*Dimensions provided are nominal only. Slight variations may occur. All dimensions must be checked during installation.

*Bromic is not responsible for assuring compliance with jurisdictional codes and regulations governing construction, installation and/or use of the heating products and cannot be responsible for how the product is installed or used. Before purchase and use of the product, it is the responsibility of the owner/purchaser to review the product application and all applicable national and local codes and regulations governing the installation and use of such heating products and to seek advice from relevant technical persons.

Accessories for Smart-Heat Gas Heaters* Continued

Dual-layer Heat Deflector

- The heat deflector allows for low clearance installations.
- Stainless steel
- Dual Layer to ensure minimum clearance height
- Provides additional protection from the rain

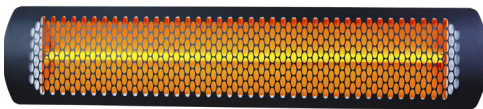
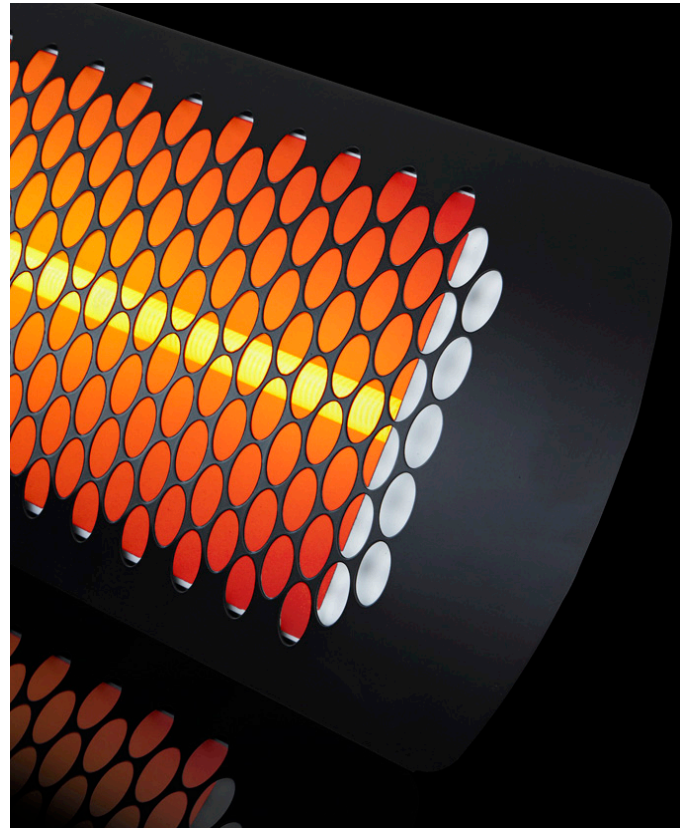


*Please note that accessories do not come standard with heaters

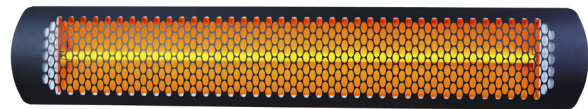
TUNGSTEN SMART-HEAT

An infrared electric heater blending aesthetics and function

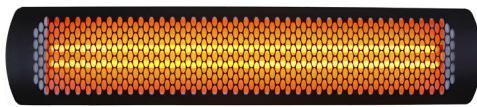
It's stylishly designed provides efficient directional heating, compatible with smart control systems to enable precise dimming control with it's simple one-touch on/off switch.



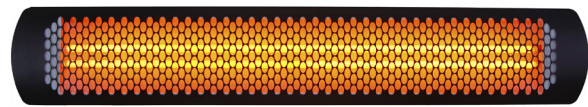
Tungsten Smart-Heat™ Electric
2000W



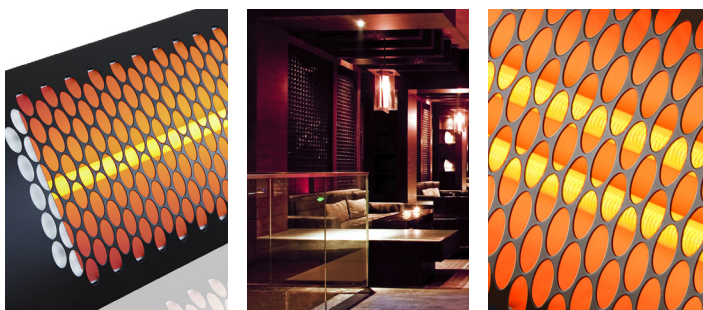
Tungsten Smart-Heat™ Electric
3000W



Tungsten Smart-Heat™ Electric
4000W



Tungsten Smart-Heat™ Electric
6000W



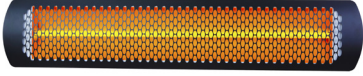
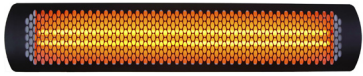

Water / splash resistance, the Tungsten Smart-Heat™ Electric works in almost any weather condition. The swivel bracket allows the heat to be directed in the desired location. It's equipped with a spectral reflector for excellent radiant heat output.

Features

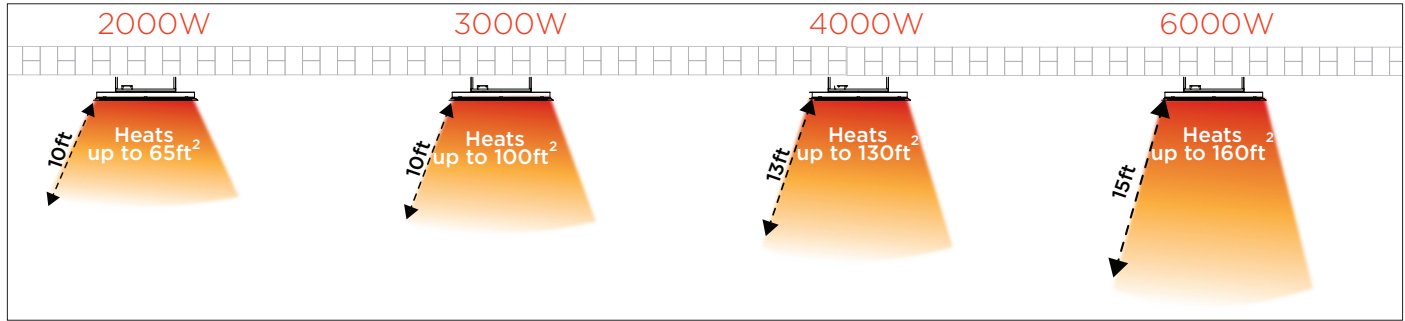
- Available in 2000W, 3000W, 4000W and 6000W models
- Frosted infrared tube heating elements emit warm amber glow - No harsh glare.
- High temperature corrosion-resistant coating.
- Tamper-proof electrical wiring enclosure
- Wall & ceiling mounting options allow for adjustable angle of the heating direction.



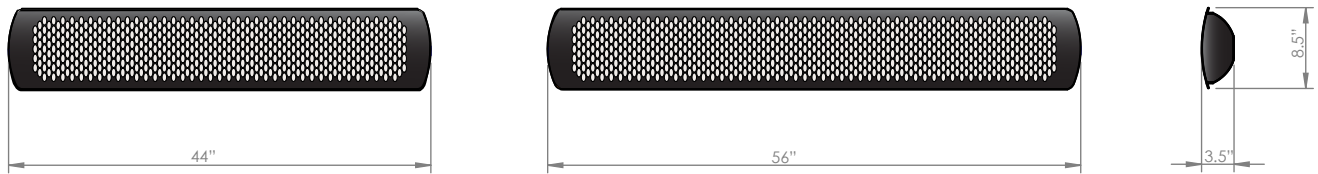
Specifications

TUNGSTEN SMART-HEAT				
	2000W	3000W	4000W	6000W
Model				
Part no.	BH0420002	BH0420003	BH0420004	BH0420005
No. of Elements	Single element	Single element	Double element	Double element
Bracket Length	6.5"	6.5"	9.5"	9.5"
Power (Watts)	2000W	3000W	4000W	6000W
Heating Area*	up to 65ft ²	up to 100ft ²	up to 130ft ²	up to 160ft ²
Power connection required (Volts/Amps)	220 V / 9 A	220 V / 13.6 A	220 V / 18.1A	220 V / 27.2A
Dimension (W"xD"xH")	44" x 8.5" x 3.5"	56" x 8.5" x 3.5"	44" x 8.5" x 3.5"	56" x 8.5" x 3.5"
Minimum Mounting height requirement to ground	Ceiling Mounting - 96" (8') / Wall Mounting - 96" (8')			
Weight (kg)	19.8lbs	22lbs	19.8lbs	22lbs
Finish	Black High Temperature Coating			
<p>Product must only be installed and serviced by a licensed and authorised technician. Product manual must be read before installing or servicing this product. *Heating areas are based on protected environment with mounting height of 96" (8'). For unprotected and extremely cold and windy environments heating areas can be less. Please contact Bromic Heating for further advice.</p>				
 4005951 CONFORMS TO UL STD. NO. 2021 CERTIFIED TO CSA STD. C22.2 NO.46				

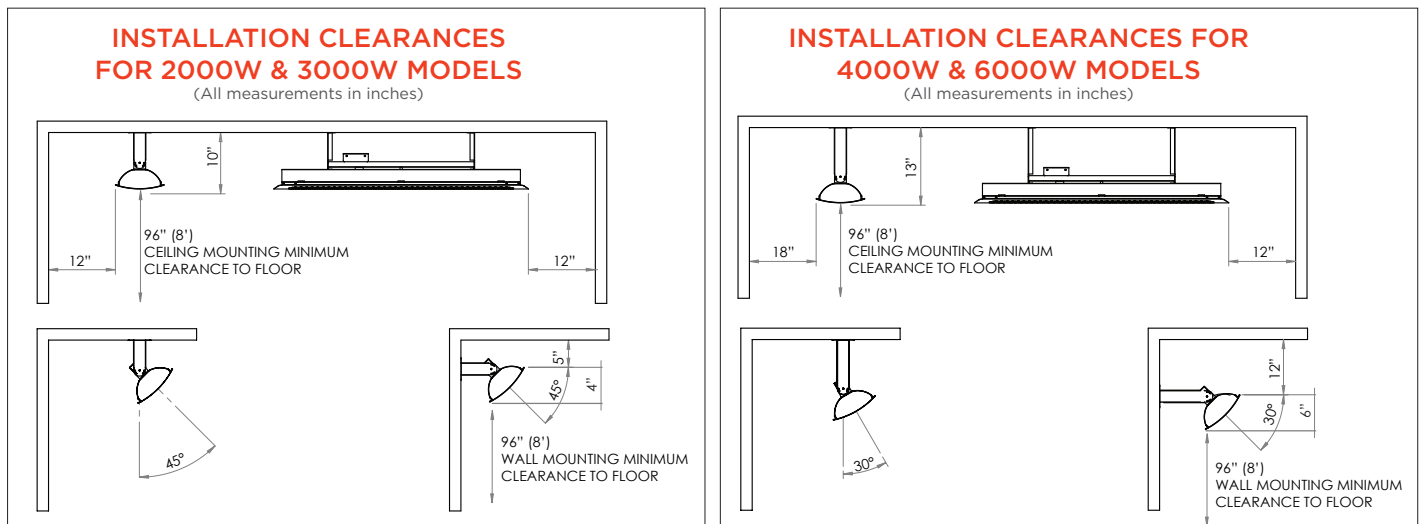
Heating areas (assumed mounting height of 2400mm)



Dimensions (all measurements are in mm)



Recommended Minimum Installation Clearances



*Alternatively, short mounting brackets can be used for wall mounting of the 4000w & 6000w models to position the heater closer to the wall. Short mounting brackets must be purchased separately.

Pre-Installation Checklist

PRE-INSTALLATION CHECKLIST

FOR PLATINUM AND TUNGSTEN SMART-HEAT GAS RADIANT HEATERS
PLEASE PHOTOCOPY, COMPLETE, & SEND THIS CHECKLIST BY:
FAX TO +61 2 9748 4289 or BY MAIL TO Bromic Heating, 1 Suttor Street, Silverwater NSW 2128 Australia
or SCAN AND SEND BY EMAIL TO info@bromicheating.com

Business Name:

Date: / / (dd / mm / yyyy)

Site Address:

Suburb:

State: Zip:

Contact Name:

Position:

Ph: () Fax: ()

Cell:

How did you hear about our heaters?

Magazine Name:

Internet Website:

Word of Mouth

Newspaper Name:

Directory Name:

Salesperson

Purchased from us before

Seen on location Where:

Other (please specify):

Gas Type (please tick): NG LPG
(i.e. does the gas come to the premises via bottles [LPG] or pipes [NG])

Application (please tick):
Commercial Domestic

Description (eg. hotel):

Area dimensions (feet):
Length: Width:
Ceiling Height:

CLEARANCES:

Clearance requirements for Platinum and Tungsten Smart-Heat heaters are as follows:
(Note: adequate clearance must be directly above the heater)

A) WALL MOUNT NO DEFLECTOR:
Minimum distance to combustible materials:

	A	B	C
Platinum and Tungsten Smart-Heat			
300	3.6' / 110cm	3.6' / 110cm	8' / 244cm*
500	3.6' / 110cm	3.6' / 110cm	8' / 244cm*

*Please refer to local authorities for any additional mounting guidelines

B) WALL MOUNT WITH DEFLECTOR:
Minimum distance to combustible materials:

	A	B	C
Platinum and Tungsten Smart-Heat			
300	1.15' / 35cm	3.6' / 110cm	8' / 244cm*
500	1.15' / 35cm	3.6' / 110cm	8' / 244cm*

*Please refer to local authorities for any additional mounting guidelines

C) CEILING MOUNT NO DEFLECTOR:
Minimum distance to combustible materials:

	A	B	C
Platinum and Tungsten Smart-Heat			
300	3.6' / 110cm	3.6' / 110cm	8' / 244cm*
500	3.6' / 110cm	3.6' / 110cm	8' / 244cm*

*Please refer to local authorities for any additional mounting guidelines

D) CEILING MOUNT WITH DEFLECTOR:
Minimum distance to combustible materials:

	A	B	C
Platinum and Tungsten Smart-Heat			
300	1.15' / 35cm	3.6' / 110cm	8' / 244cm*
500	1.15' / 35cm	3.6' / 110cm	8' / 244cm*

*Please refer to local authorities for any additional mounting guidelines

Is the heater adequately covered? Y N
(i.e. shielded from rain)

Is a protective cover required? Y N
(cover may be required for environmental protection OR because of lower ceiling height)

Have site plans & digital photos been provided? Y N
(NOTE: in order to more accurately review your heating requirements and provide a valid recommendation, a dimensioned plan and elevation views are required. Please also provide digital photos of the area.)
If site plans not available, draw a sketch of the area showing all elevation views and open areas. Please include an appropriate scale.

Do you require a:
Ceiling Mount OR Wall Mount

IF CEILING MOUNT:
Pole length required:

Ceiling material type:

IF WALL MOUNT:
Wall construction (wall material type)

Are there any wall obstructions? Y N
(eg. speakers, TV, camera, lighting etc...)
Please describe briefly:

Will the bracket be mounted directly on the wall? Y N
(any additional mountings [eg. angle mount bracket / pole] are the responsibility of the installer)

Is adequate power available? Y N
(each heater requires 110V power and draws no more than 1A).

Does the site have existing plumbing for LPG or Natural Gas? Y N

Distributors Name:

Person performing Survey:

Position:

Date: / / (dd / mm / yyyy)

Maintenance and Care:

GAS:

The heaters are constructed using stainless steel and high temperature coated paint to help ensure maximum life in the outdoor environment. To maximize the life of the heater it is important that frequent cleaning is performed and appropriate care is taken.

Bromic recommends the following:

Always install with the corresponding Bromic heat shield and clean according to Bromic instructions. Clean the heater weekly during regular use and at least monthly when not in use. In a salt-air environment, such as near the ocean, cleaning is recommended more frequently. Heaters must not be cleaned with cleaning products that are combustible or corrosive.

Over prolonged use may cause slight discolouration of painted surfaces. This is normal and does not effect the operation of the appliance. Bromic uses specialised high temperature paints and as such re-painting should not be attempted. Replacement parts can be purchased to restore the heater to its original appearance from Bromic Pty Ltd. (Refer to parts list in manual).

ELECTRIC HEATERS:

- Ensure there is no excessive build-up of dirt/dust on the reflector surfaces of the heater.
- Ensure heater is not on ,cool to touch and wipe off any dirt/dust with a soft & dry cloth

Servicing (as per Maintenance & Care)

Bromic outdoor radiant heaters require regular servicing to maintain efficient operation. The heaters are used on a cyclical basis however are exposed to the external elements continuously (both during periods of use and whilst remaining idle). Regular servicing is therefore required to ensure trouble free operation. All maintenance should be carried out **ONLY** by authorised service personnel. Servicing is recommended at the commencement of each winter season and more frequently in adverse conditions. Please refer to the installation manual for the standard Bromic servicing instructions.

Warranty

Heating product	Warranty
Platinum gas heaters	12 months parts & labour
Tungsten gas heaters	12 months parts & labour
Tungsten electric heaters	12 months replacement

For full warranty conditions, please refer to the back page for the installation instruction and service manual for each heater or contact our customer service team on

HEAD OFFICE: 1 Suttor Street, Silverwater, Sydney NSW 2128 Australia HEAD OFFICE POSTAL: PO Box 6062, Silverwater, Sydney NSW 1811 Australia T: 1300 276 642 (within Australia) OR +61 2 9748 3900 F: +61 2 9748 4289
E: info@bromicheating.com W: www.bromicheating.com

Due to the nature of the printing process, colors shown in illustrations and photographs may vary from the actual product. Bromic Heating Pty Ltd reserves the right to change all drawings, figures and specifications without further notice. Check with your local government and state authority for applicable standards for installation and operation. All heaters must be installed by a licensed technician (gas and electric). Gas heaters must be installed in outdoor locations only. USA Volume 1