



DIRECT-VENT INSERT

Innsbrook DVC20IN

Spec Sheet



GLASS VIEWING AREA

25 1/4 x 11 1/8

ACTUAL DIMENSIONS

40" W x 23 1/4" H x 15 7/8" D

INCLUDES

- Barrier Screen
- Blower

REQUIRES

- Surround

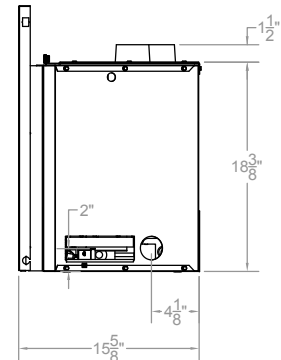
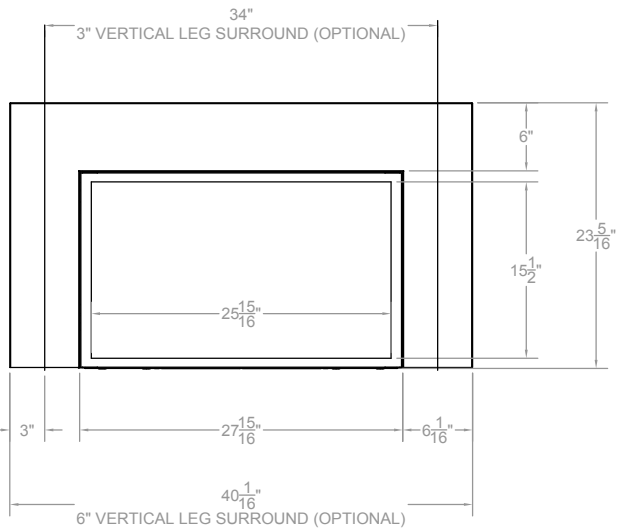
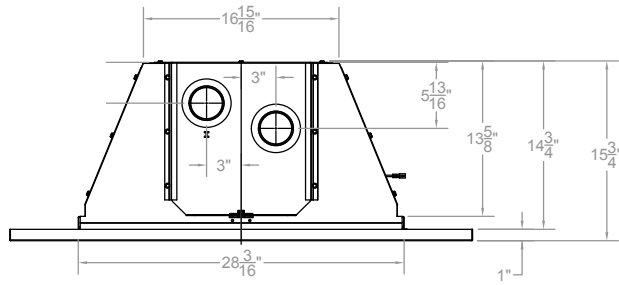
TECHNICAL INFORMATION

- Maximum heat output:
19,500 BTU (LP) 20,500 BTU (Nat)
- Efficiency Rating:
 - 71.05% A. F. U. E.
 - 70.10% P4
- Weight: 89 lbs.
- Type of Gas: LP or Natural
- Venting: 3-inch Flex
- Ignition Systems: Intermittent Pilot or Millivolt

FIELD INSTALLED ACCESSORIES

- Decorative Fronts:
Horizon (Matte Black) , Lancaster (Bronze, Matte Black)
- Decorative Door (non-operable):
Transon (Matte Black)
- Decorative Surround:
Bronze, Matte Black, 3-Sided
Custom, 4-Sided Custom
- Liners:
 - Banded Brick
 - Black Porcelain
 - Traditional Brick
 - Washed Brick

DVC20IN



Index Letter	Mantel Depth From Fireplace Face	Distance From Top of Insert
A	9-1/4	16
B	7-1/4	13
C	4-1/2	12
D	1-3/4	8

Minimum Fireplace Opening Dimensions (in inches)	
Height (A)	18 1/2
Front Width (B)	28 1/4
Depth (C) with 1-inch deep surround	14 7/8
Depth (C) with 2 1/4-inch deep surround	14 1/4
Rear Width (D)	17 1/4

Empire is committed to continuous product improvement; specifications are subject to change without notice. Dimensions in this brochure are approximate; read and follow the framing dimensions in the owners manual supplied with your Empire product. Flame size, shape, and color will vary from photos. Our mantels feature natural veneers and hand-rubbed finishes – wood grain and color will vary. Adjust light levels and use "natural light" incandescent bulbs to enhance the dramatic look for your wooden mantel.

Member of the following industry associations:



SINCE 1932
 Empire Comfort Systems Inc.
 918 Freeburg Ave.
 Belleville, IL 62220-2623
 info@empirecomfort.com
 01/18

The Empire Comfort Systems and White Mountain Hearth names and logos are registered U.S. trademarks.