



DIRECT-VENT FIREPLACES

Tahoe Clean-Face Premium DVCC32BP

Spec Sheet



GLASS VIEWING AREA

27" W x 25" H

ACTUAL DIMENSIONS

34 7/16" W x 38 1/4" H x 17 1/2" D

INCLUDES

- Black Porcelain Liner
- Fireplace Barrier Screen

REQUIRES

- Decorative Rock Set
- Decorative Crushed Glass

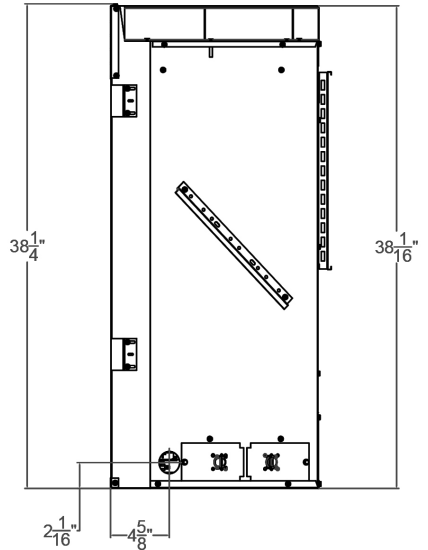
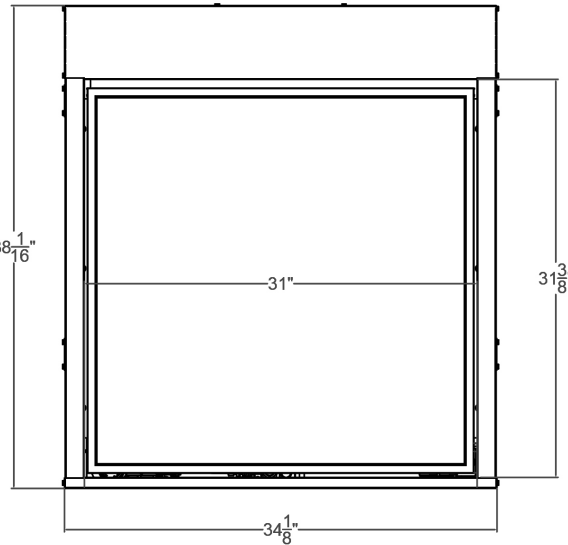
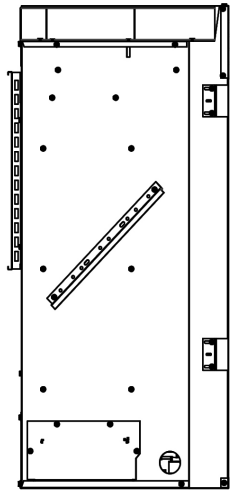
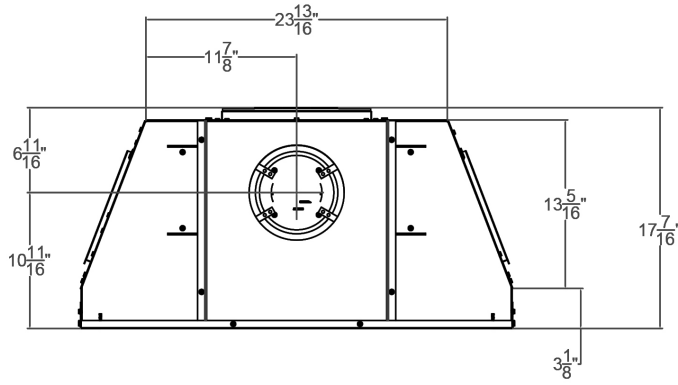
TECHNICAL INFORMATION

- Maximum heat output:
 - 22,000 BTU (LP)
 - 24,000 BTU (Nat)
- Efficiency Rating:
 - 45.23% A.F.U.E.
 - 47.50% P4
- Weight: 137 lbs.
- Clearances
 - Side Wall: 0"
 - Top Trim: 0"
- Type of Gas: LP or Natural
- Iron Pipe Size: 1/2-inch
- Ignition Systems: Intermittent Pilot or Millivolt
- Vent Size: 4 x 6 5/8 inch
- Top Vent Only

FIELD INSTALLED ACCESSORIES

- Decorative Rock Kit
- Decoative Crushed Glass

DVCC32BP



Clearance to Combustibles (in inches)	
Back	0 (0 mm)
Side	0 (0 mm)
Floor	0 (0 mm)
Top Framing Edge	See Below

Framing Dimensions (in inches)	
Height (A)	47 1/4
Width (B)	34 3/4
Depth (C)	17 5/8

Empire is committed to continuous product improvement; specifications are subject to change without notice. Dimensions in this brochure are approximate; read and follow the framing dimensions in the owners manual supplied with your Empire product. Flame size, shape, and color will vary from photos. Our mantels feature natural veneers and hand-rubbed finishes – wood grain and color will vary. Adjust light levels and use "natural light" incandescent bulbs to enhance the dramatic look for your wooden mantel.

Member of the following



This appliance is design-certified to the ANSI standard by:



SINCE 1932

Empire Comfort Systems Inc.
918 Freeburg Ave.
Belleville, IL 62220-2623
info@empirecomfort.com
01/18

The Empire Comfort Systems and White Mountain Hearth names and logos are registered U.S. trademarks.