



# DIRECT-VENT FIREPLACES

## Tahoe Clean-Face Premium DVCC42BP

### Spec Sheet



#### GLASS VIEWING AREA

37" W x 27" H

#### ACTUAL DIMENSIONS

43 7/16" W x 40 1/4" H x 17 1/2" D

#### INCLUDES

- Black Porcelain Liner
- Fireplace Barrier Screen

#### REQUIRES

- Decorative Rock Set
- Decorative Crushed Glass

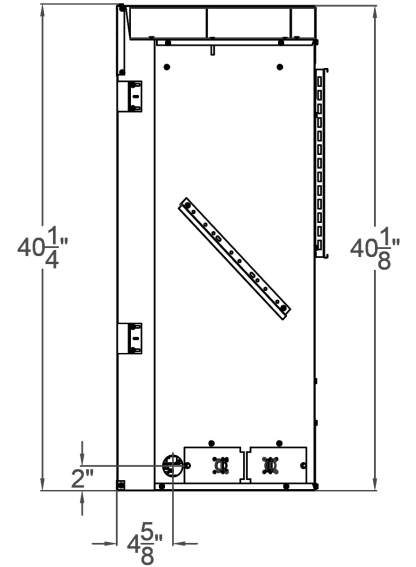
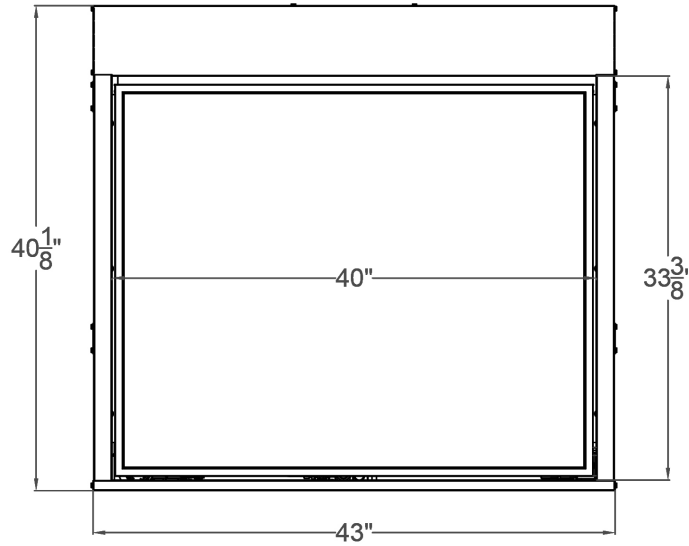
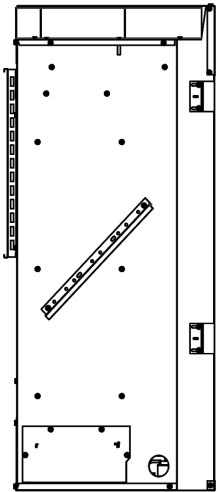
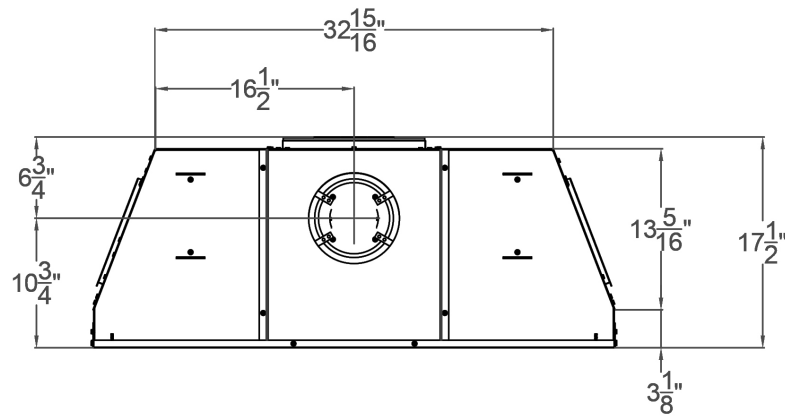
#### TECHNICAL INFORMATION

- Maximum heat output: 26,500 BTU
- Efficiency Rating:
  - 53.43% A.F.U.E.
  - 54.20% P4
- Weight: 173 lbs.
- Clearances
  - Side Wall: 0"
  - Top Trim: 0"
- Type of Gas: LP or Natural
- Iron Pipe Size: 1/2-inch
- Ignition Systems: Intermittent Pilot or Millivolt
- Vent Size: 4 x 6 5/8 inch
- Top Vent Only

#### FIELD INSTALLED ACCESSORIES

- Decorative Rock Kit
- Decorative Crushed Glass

# DVCC42BP



Clearance to Combustibles (in inches)	
Back	0 (0 mm)
Side	0 (0 mm)
Floor	0 (0 mm)
Top Framing Edge	See Below

Framing Dimensions (in inches)	
Height (A)	49 1/4
Width (B)	43 3/4
Depth (C)	17 5/8

Empire is committed to continuous product improvement; specifications are subject to change without notice. Dimensions in this brochure are approximate; read and follow the framing dimensions in the owners manual supplied with your Empire product. Flame size, shape, and color will vary from photos. Our mantels feature natural veneers and hand-rubbed finishes – wood grain and color will vary. Adjust light levels and use "natural light" incandescent bulbs to enhance the dramatic look for your wooden mantel.

Member of the following industry associations:



The Empire Comfort Systems and White Mountain Hearth names and logos are registered U.S. trademarks.



SINCE 1932

Empire Comfort Systems Inc.  
918 Freeburg Ave.  
Belleville, IL 62220-2623  
info@empirecomfort.com

01/18