



DIRECT-VENT FIREPLACES

Tahoe Clean-Face Deluxe DVCD36FP

Spec Sheet



GLASS VIEWING AREA

30 1/2" W x 20" H

ACTUAL DIMENSIONS

37 9/16" W x 35 5/8" H x 17 3/4" D

INCLUDES

- 6-piece Ceramic Fiber log set
- Fireplace Barrier Screen

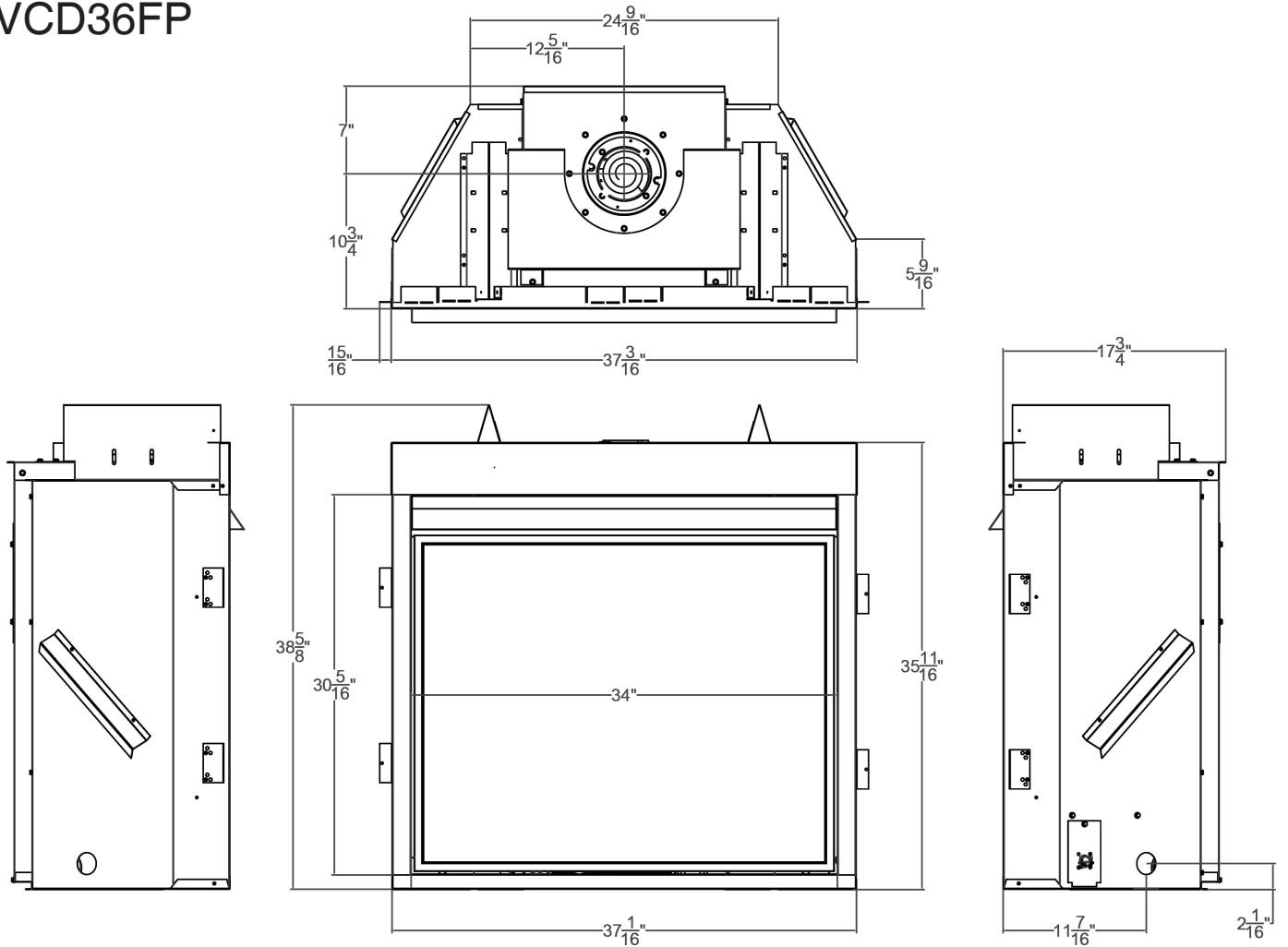
TECHNICAL INFORMATION

- Maximum heat output: 20,000 BTU
- Efficiency Rating:
 - 49.47% A.F.U.E.
 - 44.40% P4
- Weight: 123 lbs.
- Clearances
 - Side Wall: 0"
 - Top Trim: 0"
- Type of Gas: LP or Natural
- Iron Pipe Size: 1/2-inch
- Ignition Systems: Intermittent Pilot or Millivolt
- Vent Size: 4 x 6 5/8 inch
- Top or Rear Vent

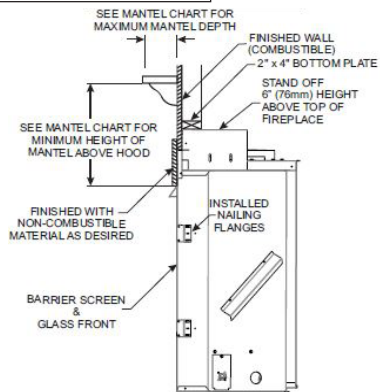
FIELD INSTALLED ACCESSORIES

- Liners:
 - Aged Brick
 - Black Porcelain
 - Herringbone Brick
 - Stacked Limestone

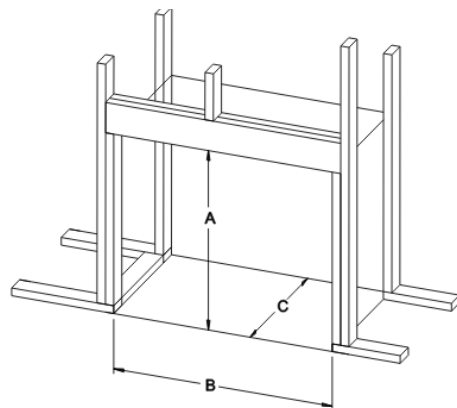
DVCD36FP



Clearance to Combustibles (in inches)	
Back	0 (0 mm)
Side	0 (0 mm)
Floor	0 (0 mm)
Top Stand-off	0 (0 mm)
Top Framing Edge	6 (152 mm)



Framing Dimensions (in inches)	
Height (A)	39
Width (B)	38 1/4
Depth (C)	18



Empire is committed to continuous product improvement; specifications are subject to change without notice. Dimensions in this brochure are approximate; read and follow the framing dimensions in the owners manual supplied with your Empire product. Flame size, shape, and color will vary from photos. Our mantels feature natural veneers and hand-rubbed finishes – wood grain and color will vary. Adjust light levels and use "natural light" incandescent bulbs to enhance the dramatic look for your wooden mantel.

Member of the following industry associations:



This appliance is design-certified to the ANSI standard by:



SINCE 1932
 Empire Comfort Systems Inc.
 918 Freeburg Ave.
 Belleville, IL 62220-2623
 info@empirecomfort.com
 01/18

The Empire Comfort Systems and White Mountain Hearth names and logos are registered U.S. trademarks.