



Superior® B-Vent fireplaces provide a realistic flame with a variety of accessory options in a clean louverless design.





SLBV-40



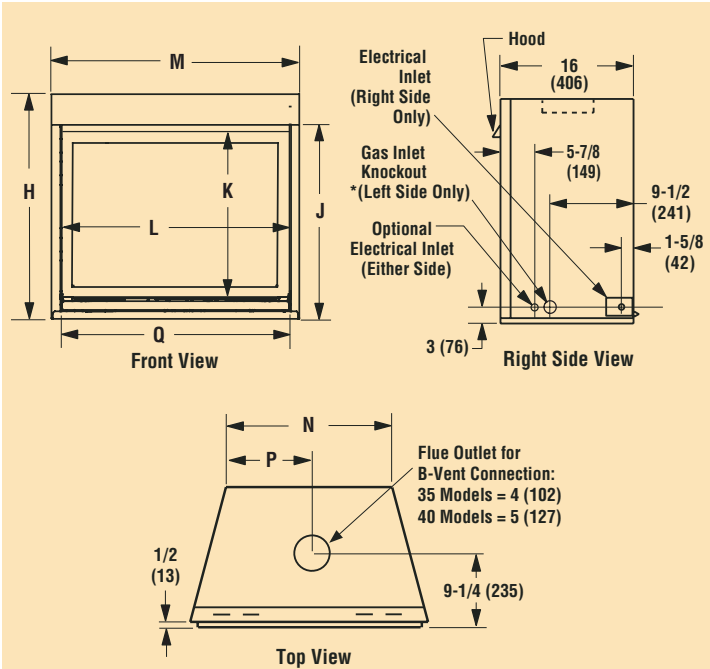
SLBV-35

STANDARD FEATURES

- _____ Dramatic louverless design
- _____ Flex connector with shut off and connecting pipe nipple
- _____ Choice of 35" or 40" framed opening sizes available in natural gas or propane
- _____ Wiring for optional wall switch
- _____ Millivolt (standing pilot) or electronic ignition with battery back-up
- _____ Rugged oak-style logs, burning embers and lava rock
- _____ Controls hidden in low profile access compartment
- _____ Top vent only models using 4" (SLBV-35) or 5" (SLBV-40) Type B Double-Wall vent pipe
- _____ 20-year limited warranty

OPTIONAL FEATURES

- _____ *Screen panel kits
- _____ Style View™ Doors, Arched and Square Pane, in Black and Satin Pewter finishes
- _____ Ceramic fiber brick liner kit in Traditional Buff
- _____ Wireless remote control
- _____ Outside combustion air kit



DIMENSIONS Inches (millimeters)

	H	J	K	L	M	N	P	Q
SLBV-35	32-1/4 (819)	28-1/8 (714)	23-1/4 (590)	32 (813)	35-1/4 (895)	25 (635)	12-1/2 (317)	33 (838)
SLBV-40	37-1/4 (946)	33-1/8 (841)	28-1/4 (718)	37 (940)	40-1/4 (1022)	30 (762)	15 (381)	38 (965)

FRAMING DIMENSIONS Inches (millimeters)

	WIDTH	HEIGHT	DEPTH
SLBV-35	35-1/4 (895)	35-1/4 (895)	16 (406)
SLBV-40	40-1/4 (1022)	40-1/4 (1022)	16 (406)

BTU/HR CHART

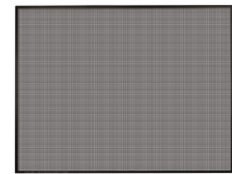
	NATURAL (HIGH-LOW)	PROPANE (HIGH-LOW)
SLBV-35NM	17,000-13,000	SLBV-35PM 17,000-14,000
SLBV-40NM	22,000-17,000	SLBV-40PM 20,000-15,500

Large Cover Photo: SLBV-35 shown with ceramic fiber brick liner kit in Traditional Buff.

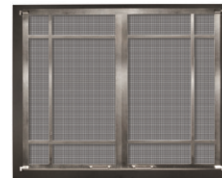


©Lennox Industries Inc. 2011
 Visit us at www.Lennox.com, or contact us at 1-800-9-LENNOX.

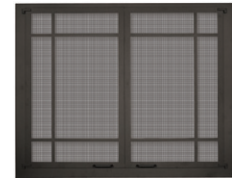
785308M 01/11



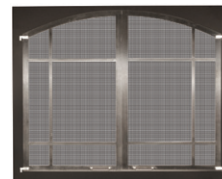
*Screen panel kit



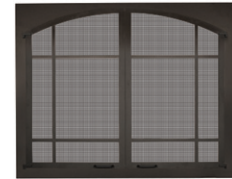
Square pane Satin Pewter Style View Doors



Square pane Black Style View Doors



Arched pane Satin Pewter Style View Doors



Arched pane Black Style View Doors

*Screen panel kit provides a barrier to prevent direct contact with hot glass surface.

IMPORTANT NOTES:

As with any heating appliance, fireplace or stove, this appliance is extremely hot during operation. Read and understand all operating instructions before using this appliance. For further information, consult your dealer.

Local conditions, such as elevation, wind, vent configuration and choice of fuel will affect overall appearance of the fire and heating performance. Performance can also vary with home design and insulation, climate, condition and type of fuel used, appliance location, burn rate, accessories chosen, chimney installation and how the appliance is operated.

Diagrams, illustrations and photographs are not to scale - consult installation instructions. Product designs, materials, dimensions, specifications, colors and prices are subject to change or discontinuance without notice.

Built to ANSI Z21.50 standards.

Consult your distributor for local fireplace code information.



100% recycled

ITS Report No. 100017854