

UVF-36

UNIVERSAL VENT-FREE FIREBOXES

Appliance Specifications

Cat. No.	Model	Ship. Weight (lbs)	Shipping Volume
H1957	UVF-36	150 lbs	20 Cu. Ft.

LISTING: These Universal Vent-Free (built-in) Fireboxes have been tested and approved as Ventless Firebox Enclosures for Gas-Fired Unvented Decorative Room Heaters to ANSI Z21.91.

APPROVED GAS LOGS: These appliances are approved for use ONLY with Vent-Free Gas Log Room Heaters listed to ANSI Z21.11.2 which have an input not to exceed 40,000 BTU/Hr. See *Optional Vent-Free Gas Log Sets* on this page.



OTL Report No. 116-F-38-5

Specifications and clearances are subject to change without notice. Refer to Installation Manual before installation of these appliances for updated dimensions and instructions.

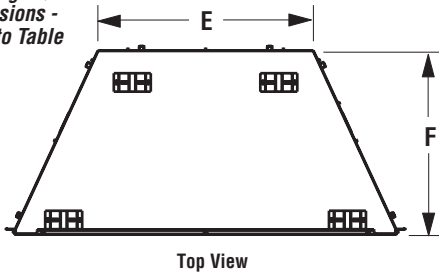
Dimensions - Inches (millimeters)

Model	A	B	C	D	E	F	G
UVF-36	36 (914)	24 (610)	41-3/4 (1061)	37-1/4 (946)	23-1/2 (597)	20 (508)	3 (76)

H	J	K	L	M	N	P	*Q
7-3/8 (187)	15-7/8 (403)	7-1/2 (190)	11-15/16 (303)	1-5/16 (33)	5-1/2 (140)	30-5/16 (770)	29-5/8 (753)

* The factory-supplied canopy must be installed on the firebox for safe operation for model UVF-36 in all installations.

• A Through Q Dimensions - Refer to Table Above



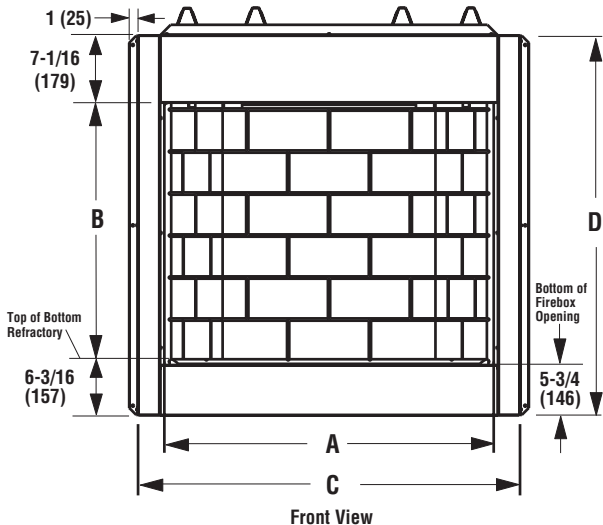
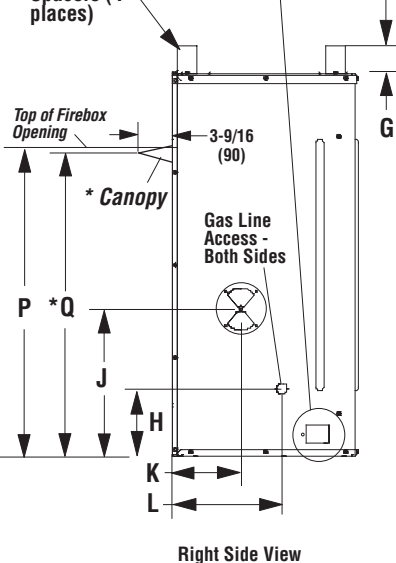
Access Opening for Junction Box - Right Side Only (remove the knock-out before installing J-Box) J-Box / Electrical Kit is not provided with appliance.

Junction Box

N

M

Top Stand-Off Spacers (4 places)



Optional Accessories

Optional Vent-Free Gas Log Sets - Manual / Piezo Ignition, Standing Pilot

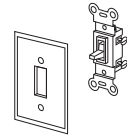
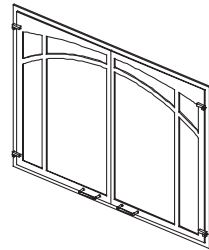
Cat. #	Model	Description	BTU/hr Input
H2126	VFGL18-MSN-4	18" Vent-Free Gas Log Set, Natural	14,000 - 25,000
H2127	VFGL18-MSP-4	18" Vent-Free Gas Log Set, Propane	14,000 - 25,000
H2128	VFGL24-MSN-4	24" Vent-Free Gas Log Set, Natural	17,000 - 32,000
H2129	VFGL24-MSP-4	24" Vent-Free Gas Log Set, Propane	17,000 - 32,000

Optional Vent-Free Gas Log Sets - Manual / Piezo Ignition, Standing Pilot

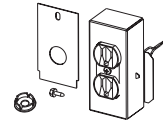
Cat. #	Model	Description	BTU/hr Input
H2126	VFGL18-MSN-4	18" Vent-Free Gas Log Set, Nat.	14,000 - 25,000
H2127	VFGL18-MSP-4	18" Vent-Free Gas Log Set, Propane	14,000 - 25,000
H2128	VFGL24-MSN-4	24" Vent-Free Gas Log Set, Nat.	17,000 - 32,000
H2129	VFGL24-MSP-4	24" Vent-Free Gas Log Set, Propane	17,000 - 32,000

• **Decorative Screen Door Panel Kit**
H1959 ASD3624-TI Screen Door Panel

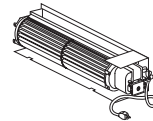
• **Wall Switch**
85L87 FWSK ON/OFF Wall Switch Kit



• **Junction Box**
H1958 JBK J-Box/ Electrical Kit



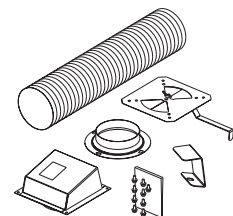
• **Forced Air Blower Kits**
80L84 FBK-100 Blower, Standard (single speed)
80L85 FBK-200 Blower, Variable Speed (w/wall-mounted switch)
J-Box (required) is sold separately



• **Volcanic Stone**
80L42 FDVS Bag of Volcanic Stone

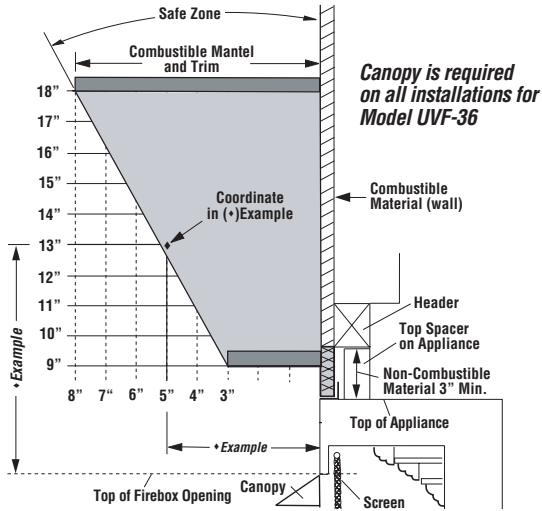


• **Outside Air Gate & Duct Kit (4" Dia.)**
H3991 OAK-UVFRC Outside Air Gate & Duct Kit



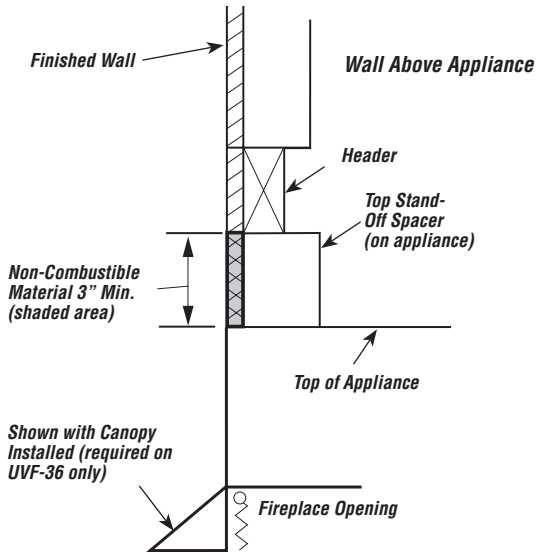
UVF-36

Combustible Mantel and Trim Clearances



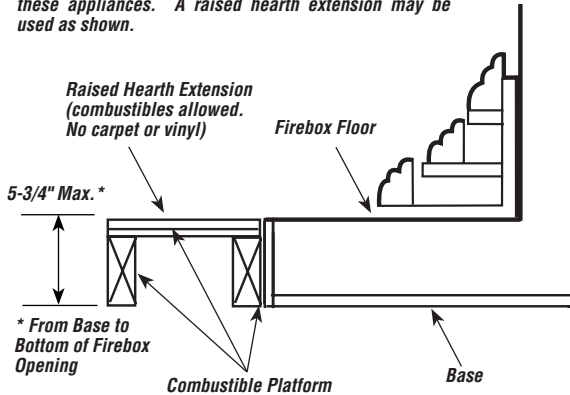
♦ **EXAMPLE:** If you choose to install a mantel that projects 5", you will need to install it so that the bottom of the mantel and trim is approximately 13" or more above Firebox opening (see coordinate in shaded area above).

Combustible Wall Above Appliance



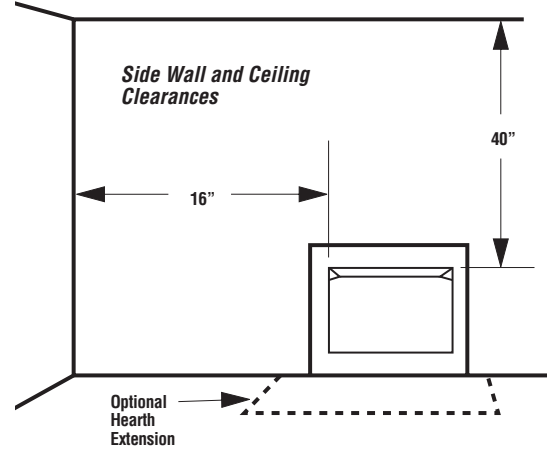
Framing Raised Hearth Extension

Raised Hearth Extension
A hearth extension may be used but is not required for these appliances. A raised hearth extension may be used as shown.

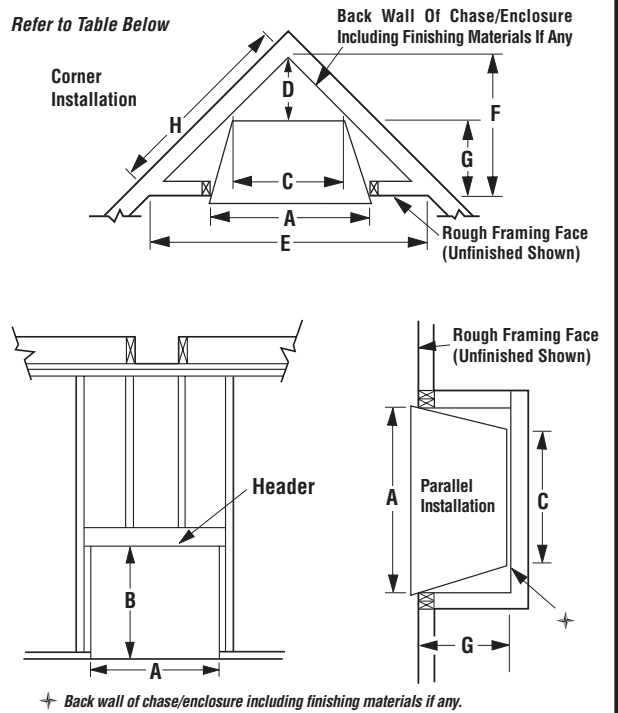


UNIVERSAL VENT-FREE FIREBOXES

Combustible Wall and Ceiling Clearances



Framing Dimensions



Dim.	UVF-36
A	42-1/4" (1073)
B	40-1/4" (1022)
C	23-9/16" (599)
D	11-1/4" (286)
E	63-1/2" (1613)
F	31-3/4" (807)
G	20-1/2" (521)
H	44-3/16" (1122)