



The Superior® multi-view direct-vent fireplaces create a dramatic focal point and beautifully enhance the ambiance of any home. Consider the three-sided peninsula for an island installation at the end of a wall or the two-sided see-through unit for a room divider. These fireplaces are available in natural or propane gas configurations and are an excellent choice for installation versatility.



*SSDVST model shown*



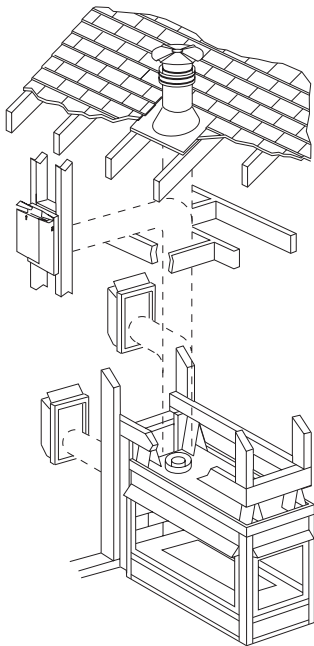


SSDVPF-B

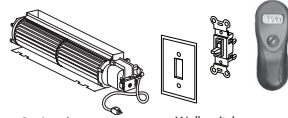


SSDVST-B

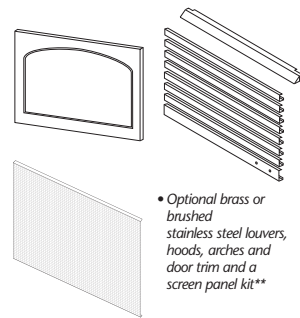
The SSDV multi-view direct-vent 40" gas fireplaces from Superior® are beautifully configured on bases of only 24" depth. The units come standard with black louvers that can be changed to brass or brushed stainless steel and radiant panels are available for a clean face look. These versatile units have a quality powder coat finish on all exposed surfaces to assure durability and can be fitted with an optional forced air blower.



- Choose Secure Vent™ rigid or Secure Flex™ flexible vent systems from Security Chimneys™
- Choose piezo pilot or electronic ignition
- Sealed tempered glass panel
- Controls hidden in access compartment
- Split oak-style log set standard with burning embers



- Optional FBK-100, FBK-200 or FBK-250 blower
- Wall switch or optional wireless remote available



- Optional brass or brushed stainless steel louvers, hoods, arches and door trim and a screen panel kit\*\*

## PRODUCTS AND DEALERS YOU CAN COUNT ON

At Lennox, we understand how important it is for you to feel comfortable at home, so we're committed to providing you with the finest hearth products available. Choosing the right dealer for you hearth needs is every bit as important as choosing the right brand, and we think you'll agree that our dealers are a big reason why you can count on getting quality customer service when you call.

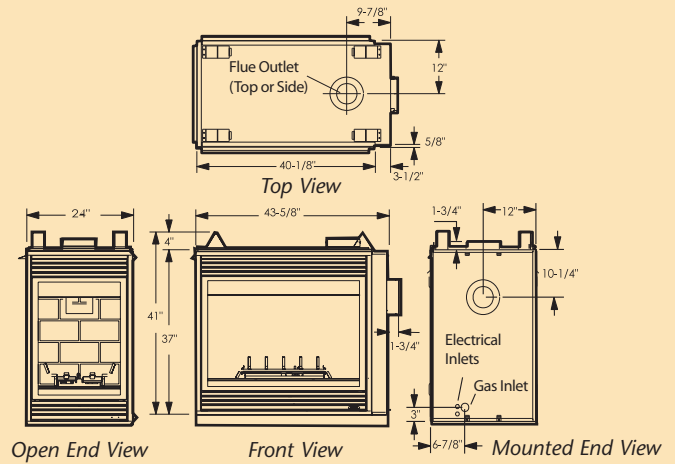
Cover photo: SSDVPF shown with optional brass arch door kit.



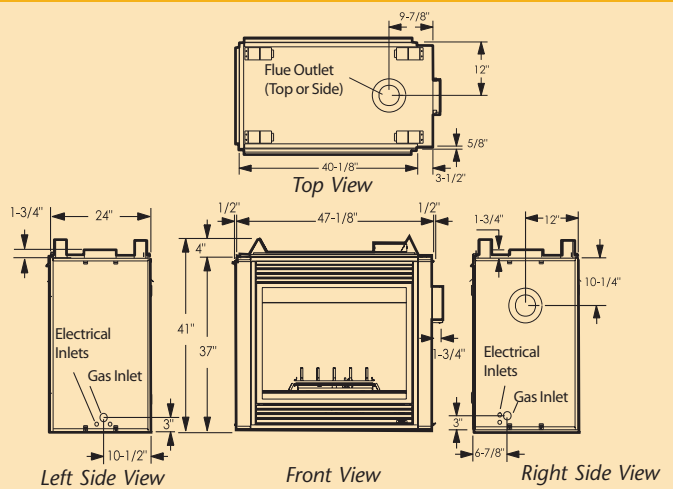
©Lennox Industries Inc. 2010  
Visit us at [www.Lennox.com](http://www.Lennox.com), or contact us at 1-800-9-LENNOX.

785158M 10/10

## SSDVPF DIMENSIONS



## SSDVST DIMENSIONS



## FRAMING DIMENSIONS

	Width	Height	Depth
SSDVPF	43-5/8"	41-1/2"	22-3/4"
SSDVST	48-1/2"	41-1/2"	22-3/4"

## BTU/HR

	Natural	Propane
SSDVPF	30,000	37,500
SSDVST	30,000	37,500

## FIREPLACE EFFICIENCY %

	CDST	CDPF
ENERGUIDE*	61(NG)	58(NG)
	62(LP)	61(LP)
STEADY STATE	72(NG)	72(NG)
	73(LP)	73(LP)
A.F.U.E.	68(NG)	68(NG)
	68(LP)	68(LP)

\* Intermittent ignition systems

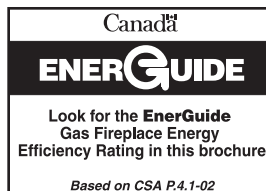
\*\*Screen panel kit provides a barrier to prevent direct contact with hot glass surface

### IMPORTANT NOTES:

As with any heating appliance, fireplace or stove, this appliance is extremely hot during operation. Read and understand all operating instructions before using this appliance. For further information, consult your dealer. Local conditions, such as elevation, wind, vent configuration and choice of fuel will affect overall appearance of the fire and heating performance. Performance can also vary with home design and insulation, climate, condition and type of fuel used, appliance location, burn rate, accessories chosen, chimney installation and how the appliance is operated.

Diagrams, illustrations and photographs are not to scale - consult installation instructions. Product designs, materials, dimensions, specifications, colors and prices are subject to change or discontinuance without notice.

Built to ANSI Z21.88 and CSA 2.33 standards.  
Consult your distributor for local fireplace code information.



OMNI-Test Laboratories, Inc.

OTL Report No. 116-F-32-5



All Superior fireplaces include a 20-year limited warranty and are listed by nationally recognized listing agencies.