



# DIRECT-VENT FIREPLACES

## Tahoe Clean-Face Luxury DVCX42FP

### Spec Sheet



#### GLASS VIEWING AREA

37" W x 24 1/8" H

#### ACTUAL DIMENSIONS

43 5/16" W x 36 7/8" H x 21 1/16" D

#### INCLUDES

- Fireplace Barrier Screen
- 9-piece log set
- Burner with expanded Ember Bed
- Rustic Brick Fireplace Brick Floor
- Manually Variable Valve

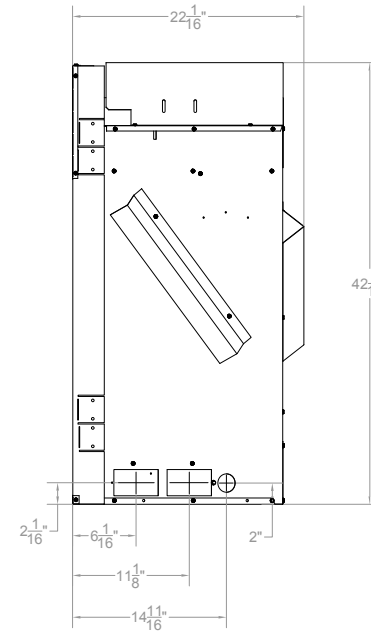
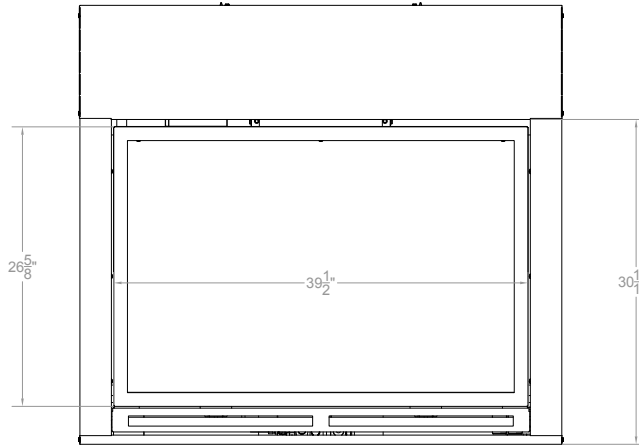
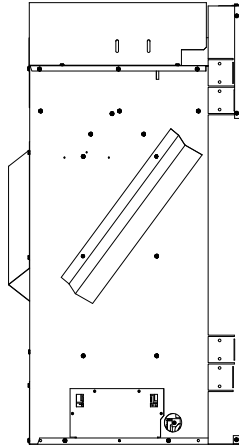
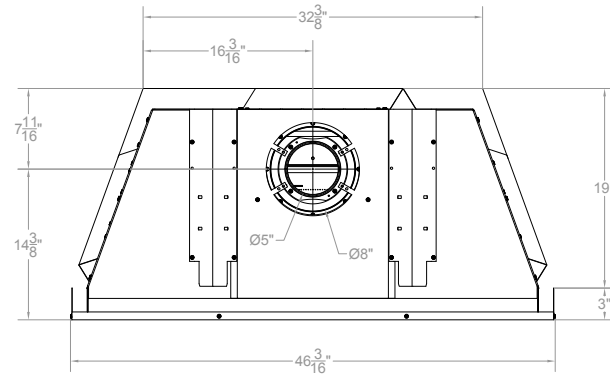
#### TECHNICAL INFORMATION

- Maximum heat output:
  - 36,000 BTU (LP), 40,000 BTU (Nat)
- Efficiency Rating:
  - 49.40% A.F.U.E.
  - 47.20% P4
- Weight: 174 lbs.
- Clearances
  - Side Wall: 0"
  - Top Trim: 0"
- Type of Gas: LP or Natural
- Iron Pipe Size: 1/2-inch
- Ignition Systems: Intermittent Pilot or Millivolt
- Vent Size: 5 x 8 inch
- Top Vent Only

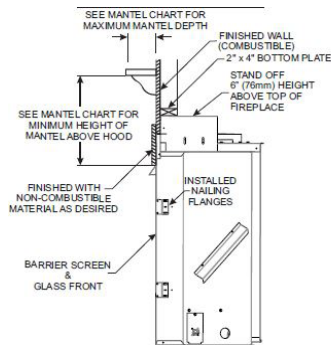
#### FIELD INSTALLED ACCESSORIES

- Liners:
  - Black Porcelain
  - Black Porcelain, Floor
  - Old World Stone
  - Rustic Brick

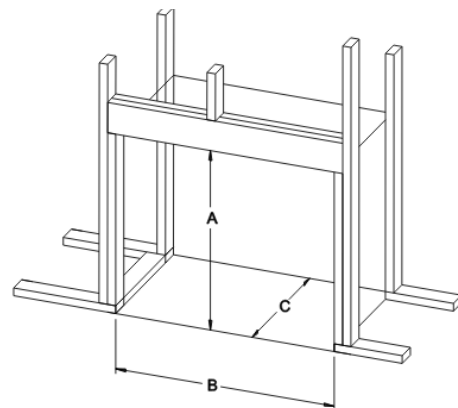
# DVCX42FP



Clearance to Combustibles (in inches)	
Back	0 (0 mm)
Side	0 (0 mm)
Floor	0 (0 mm)
Top Stand-off	0 (0 mm)
Top Framing Edge	6 (152 mm)



Framing Dimensions (in inches)	
Height (A)	42 5/16
Width (B)	46 3/8
Depth (C)	21 1/2



Empire is committed to continuous product improvement; specifications are subject to change without notice. Dimensions in this brochure are approximate; read and follow the framing dimensions in the owners manual supplied with your Empire product. Flame size, shape, and color will vary from photos. Our mantels feature natural veneers and hand-rubbed finishes – wood grain and color will vary. Adjust light levels and use "natural light" incandescent bulbs to enhance the dramatic look for your wooden mantel.

Member of the following industry associations:



This appliance is design-certified to the ANSI standard by:



SINCE 1932

Empire Comfort Systems Inc.  
918 Freeburg Ave.  
Belleville, IL 62220-2623  
info@empirecomfort.com  
01/18

The Empire Comfort Systems and White Mountain Hearth names and logos are registered U.S. trademarks.