



DIRECT-VENT INSERT

Loft DVL33IN

Spec Sheet



GLASS VIEWING AREA

28 1/4 x 13 7/16

ACTUAL DIMENSIONS

31" W x 19 1/4" H x 16 1/4" D

INCLUDES

- Black Porcelain Liner
- Blower

REQUIRES

- Surround with Barrier Screen or Decorative Front with Barrier Screen

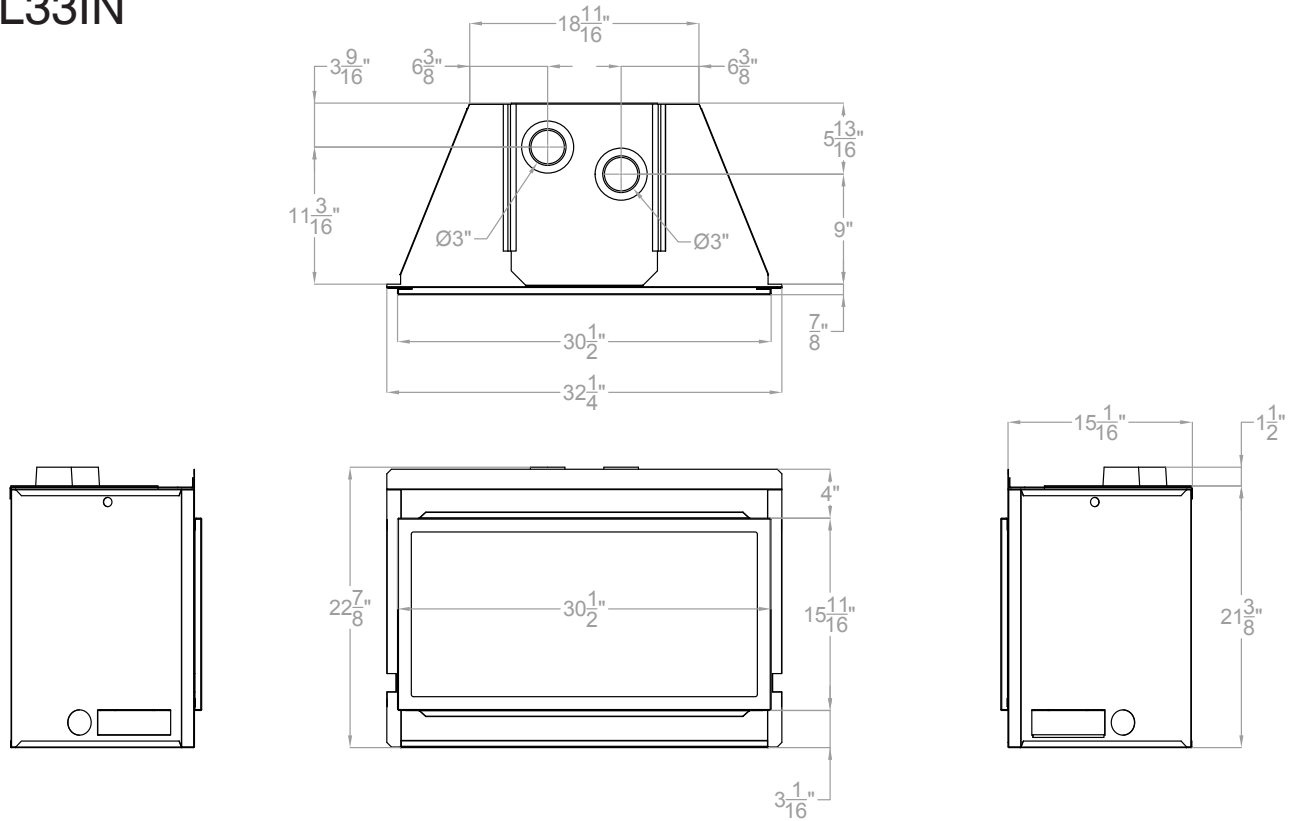
TECHNICAL INFORMATION

- Maximum heat output:
27,000 BTU (LP, Nat)
- Efficiency Rating:
– 58.37% A. F. U. E.
– 52.20% P4
- Weight: 91 lbs.
- Type of Gas: LP or Natural
- Venting: 3-inch Flex
- Ignition Systems: Intermittent Pilot or Millivolt

FIELD INSTALLED ACCESSORIES

- Decorative Fronts:
Eclipse, Lancaster (Hammered Pewter, Matte Black, Stainless Steel)
- Decorative Door (non-operable):
Transon (Hammered Pewter, Matte Black, Stainless Steel)
- Decorative Surround:
3-Sided Custom Surround, 4-Sided Custom Surround (Matte Black)
- Decorative Media:
Decorative Crushed Glass,
Decorative Glass Drops or
Glass Droplets

DVL33IN



Clearance diagram showing distances from the fireplace face to combustibles and height above the insert top. The diagram includes a side view of the fireplace with various points labeled A through Z. A table provides the corresponding dimensions for these points.

Distance from Face of Fireplace		Height Above Top of Insert	
A	10"	N	23"
B	9-1/4"	O	22"
C	8-3/4"	P	21"
D	8"	Q	20"
E	7-1/4"	R	19"
F	6-1/2"	S	18"
G	6"	T	17"
H	5-1/4"	U	16"
I	4-1/2"	V	15"
J	3-3/4"	W	14"
K	3"	X	13"
L	2-1/2"	Y	12"
M	1-3/4"	Z	11"

Minimum Fireplace Opening Dimensions (in inches)	
Height (A)	21 3/8
Front Width (B)	30 1/2
Depth (C)	14 1/4
Rear Width (D)	19

Empire is committed to continuous product improvement; specifications are subject to change without notice. Dimensions in this brochure are approximate; read and follow the framing dimensions in the owners manual supplied with your Empire product. Flame size, shape, and color will vary from photos. Our mantels feature natural veneers and hand-rubbed finishes – wood grain and color will vary. Adjust light levels and use "natural light" incandescent bulbs to enhance the dramatic look for your wooden mantel.

Member of the following industry associations:



This appliance is design-certified to the ANSI standard by:



SINCE 1932

Empire Comfort Systems Inc.
918 Freeburg Ave.
Belleville, IL 62220-2623
info@empirecomfort.com
01/18

The Empire Comfort Systems and White Mountain Hearth names and logos are registered U.S. trademarks.