



DIRECT-VENT FIREPLACES

Tahoe Premium See-Through DVP36SP

Spec Sheet



ACTUAL DIMENSIONS

39" W x 41 1/8" H x 24" D

INCLUDES

- Dimmer Controlled Accent Light
- Banded Brick Liner

REQUIRES

- Two Barrier Screens for See-Through
- Rock Creek Refractory 24-inch log set

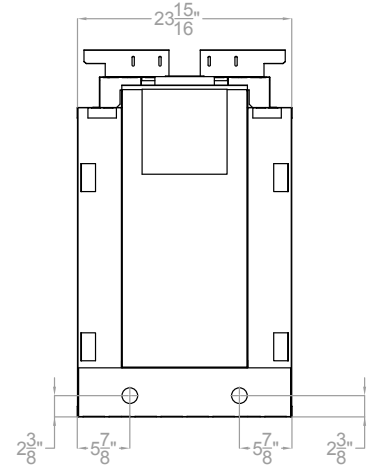
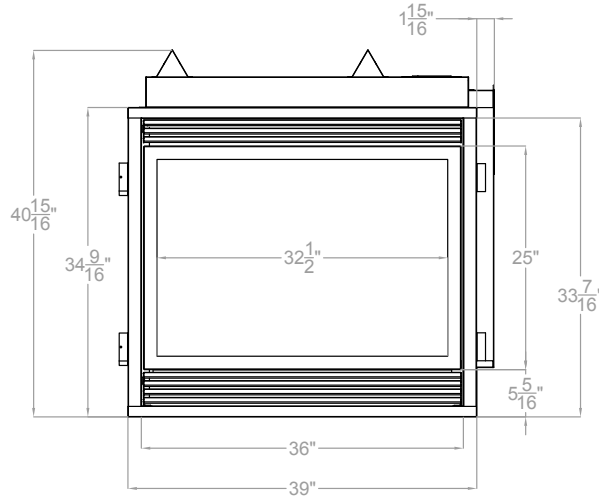
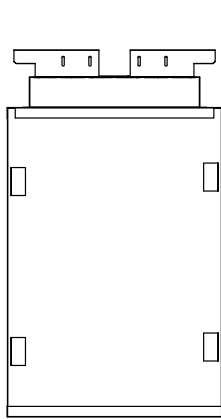
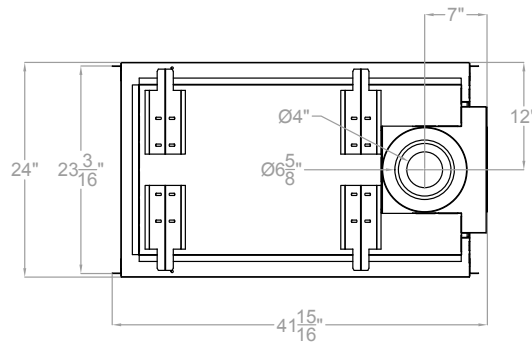
TECHNICAL INFORMATION

- Maximum heat output: 35,000 BTU (LP, Nat)
- Efficiency Rating:
 - 63.50% A. F. U. E.
 - 56.40% P4
- Weight: 240 lbs.
- Clearances
 - Side Wall: 1/2"
 - Top Stand-Off: 0"
- Type of Gas: LP or Natural
- Iron Pipe Size: 1/2-inch
- Ignition Systems: Millivolt
- Vent Size: 4 x 6 inch

FIELD INSTALLED ACCESSORIES

- Outer Frame:
 - Steel Frame - Hammered Pewter, Matte Black
 - Aluminum Frame - Hammered Pewter, Matte Black
- Blower, Automatic, 1-speed
- Decorative Louvers:
 - Mission - Hammered Pewter, Matte Black

DVP36SP

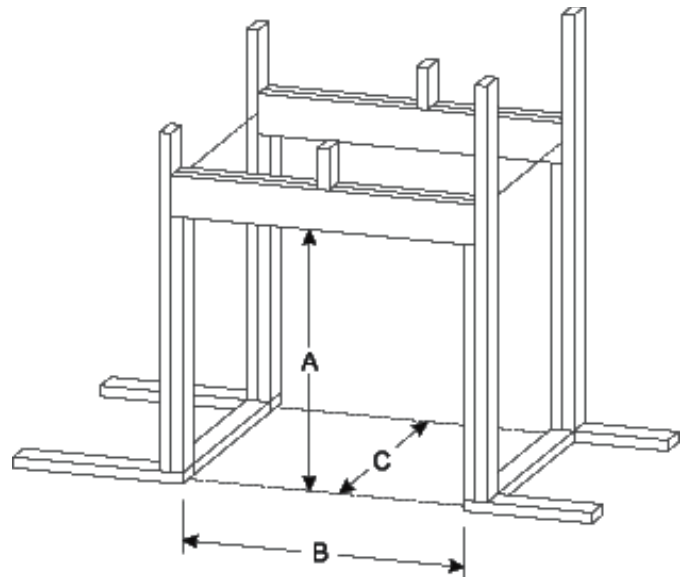
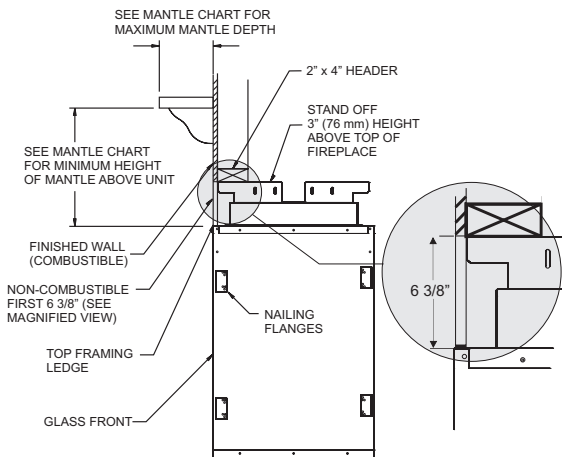


Clearance to Combustibles (in inches)

Air Drop	1/2 (12.7 mm)
Side	1/2 (12.7 mm)
Floor	0 (0 mm)
Top Stand-off	0 (0 mm)
Top Framing Edge	6 3/8 (16.7 mm)

Framing Dimensions (in inches)

Height (A)	41 1/2
Width (B)	39
Depth (C)	23



Empire is committed to continuous product improvement; specifications are subject to change without notice. Dimensions in this brochure are approximate; read and follow the framing dimensions in the owners manual supplied with your Empire product. Flame size, shape, and color will vary from photos. Our mantels feature natural veneers and hand-rubbed finishes – wood grain and color will vary. Adjust light levels and use "natural light" incandescent bulbs to enhance the dramatic look for your wooden mantel.

Member of the following industry associations:



This appliance is design-certified to the ANSI standard by:



SINCE 1932

Empire Comfort Systems Inc.
918 Freeburg Ave.
Belleville, IL 62220-2623
info@empirecomfort.com

01/18

The Empire Comfort Systems and White Mountain Hearth names and logos are registered U.S. trademarks.