



DIRECT-VENT FIREPLACES

Tahoe Clean-Face Premium DVCC36BP

Spec Sheet



GLASS VIEWING AREA

31" W x 25 1/2" H

ACTUAL DIMENSIONS

37 7/16" W x 38 1/4" H x 17 1/2" D

INCLUDES

- Black Porcelain Liner
- Fireplace Barrier Screen

REQUIRES

- Decorative Rock Set
- Decorative Crushed Glass

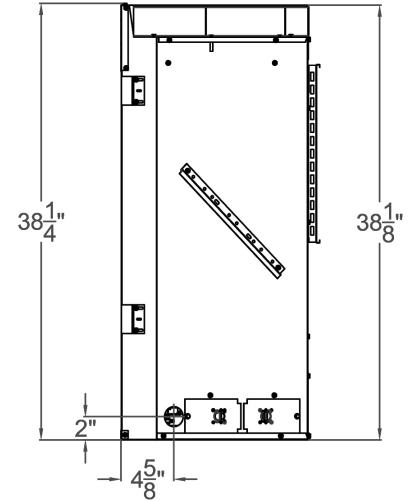
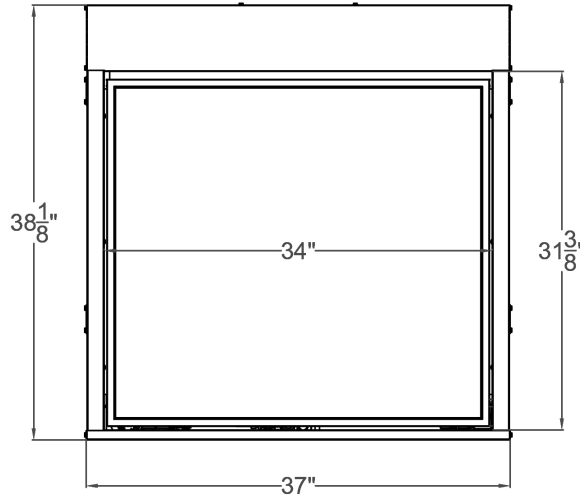
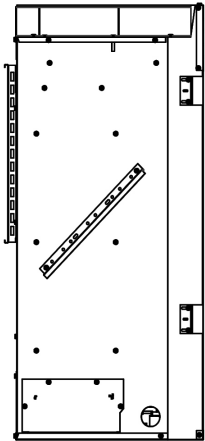
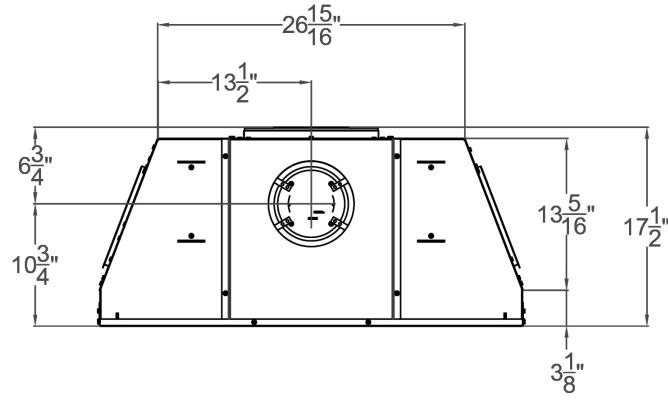
TECHNICAL INFORMATION

- Maximum heat output:
 - 24,000 BTU
- Efficiency Rating:
 - 48.03% A.F.U.E.
 - 51.10% P4
- Weight: 149 lbs.
- Clearances
 - Side Wall: 0"
 - Top Trim: 0"
- Type of Gas: LP or Natural
- Iron Pipe Size: 1/2-inch
- Ignition Systems: Intermittent Pilot or Millivolt
- Vent Size: 4 x 6 5/8 inch
- Top Vent Only

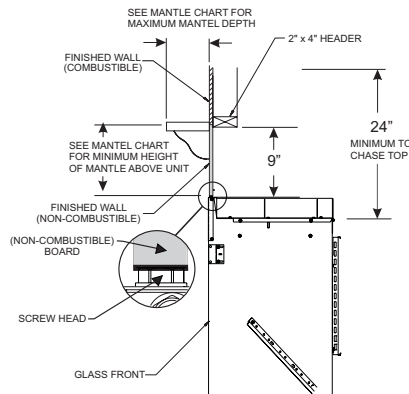
FIELD INSTALLED ACCESSORIES

- Decorative Rock Kit
- Decorative Crushed Glass

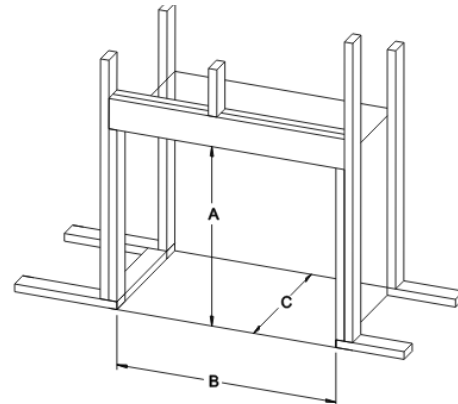
DVCC36BP



Clearance to Combustibles (in inches)	
Back	0" (0 mm)
Side	0" (0 mm)
Floor	0" (0 mm)
Top Framing Edge	See Below



Framing Dimensions (in inches)	
Height (A)	47 1/4
Width (B)	37 3/4
Depth (C)	17 5/8



Empire is committed to continuous product improvement; specifications are subject to change without notice. Dimensions in this brochure are approximate; read and follow the framing dimensions in the owners manual supplied with your Empire product. Flame size, shape, and color will vary from photos. Our mantels feature natural veneers and hand-rubbed finishes – wood grain and color will vary. Adjust light levels and use "natural light" incandescent bulbs to enhance the dramatic look for your wooden mantel.

Member of the following industry associations:



This appliance is design-certified to the ANSI standard by:



SINCE 1932

Empire Comfort Systems Inc.
918 Freeburg Ave.
Belleville, IL 62220-2623
info@empirecomfort.com

01/18

The Empire Comfort Systems and White Mountain Hearth names and logos are registered U.S. trademarks.