



DIRECT-VENT FIREPLACES

Tahoe Clean-Face Premium DVCP36SP

Spec Sheet



GLASS VIEWING AREA

31" W x 25" H

ACTUAL DIMENSIONS

45" W x 39 1/4" H x 24" D

INCLUDES

- 2 Barrier Screens

REQUIRES

- Log Set or Mixed Logs and Stones Kit
- 45° Vent Elbow

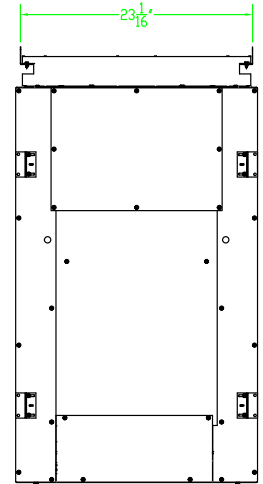
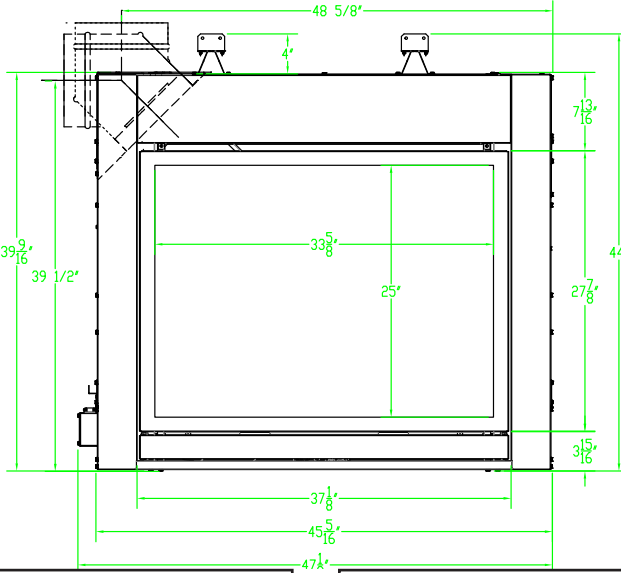
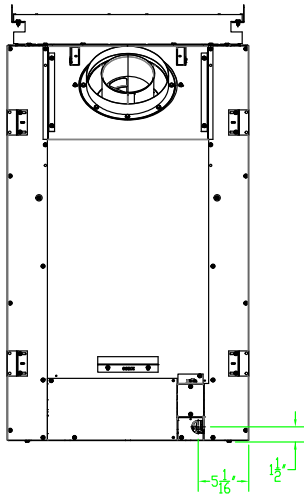
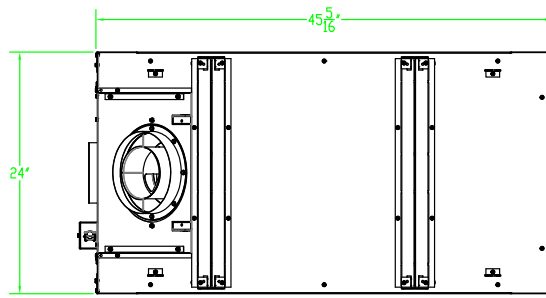
TECHNICAL INFORMATION

- Maximum heat output: 34,000 BTU
- Weight: 316 lbs.
- Clearances
 - Sides near face: 0"
 - Top Standoff: 0"
- Type of Gas: LP or Natural
- Iron Pipe Size: 1/2-inch
- Ignition Systems: Intermittent Pilot, Millivolt
- Vent Size: 5 x 8 inch

FIELD INSTALLED ACCESSORIES

- Blower
- Light Kit
- Logs: 12-piece Ceramic Fiber Campfire or Mixed Logs and Stones
- Liners: Black Porcelain, Fluted Black, Rustic Brick with Soldier Course
- Decorative Front/Door Accessories: Beveled Window, Rubbed Bronze, Brushed Nickel, Alexandra Brushed Nickel Doors
- Decorative Front: Rectangle Doors, Rubbed Bronze or Brushed Nickel

DVCP36SP

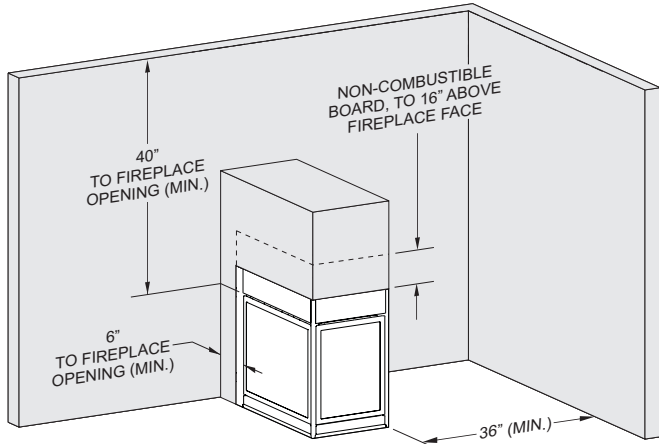


Clearance to Combustibles (in inches)

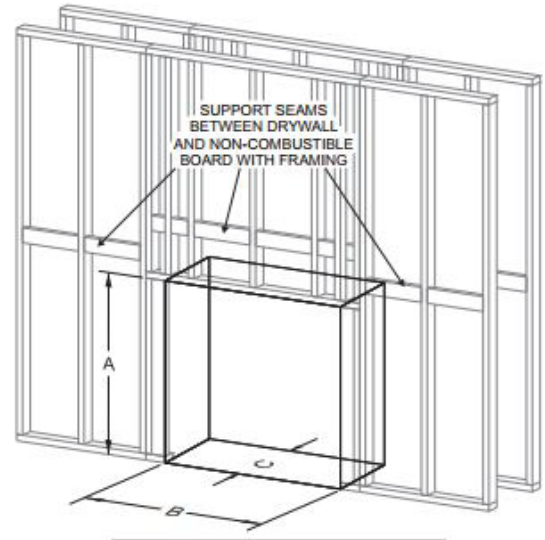
Back	0 (0 mm)
Side Near Face	0 (0 mm)
Floor	0 (0 mm)
Top Stand-off	0 (0 mm)
Outer Top to Framing	3 (76 mm)
Above Vent	3 (76 mm)

Framing Dimensions (in inches)

Height (A)	42 1/2
Width (B)	45 1/2
Depth (C)	23



Dimensions apply to both See-Thru and Peninsula models.



Member of the following industry associations:



This appliance is design-certified to the ANSI standard by:

The Empire Comfort Systems and White Mountain Hearth names and logos are registered U.S. trademarks.



SINCE 1932

Empire Comfort Systems Inc.

918 Freeburg Ave.

Belleville, IL 62220-2623

info@empirecomfort.com

01/18