



# DIRECT-VENT FIREPLACE

## Rushmore TruFlame DVCT40CFP

### Spec Sheet



#### GLASS VIEWING AREA

36" W x 30 3/8" H

#### ACTUAL DIMENSIONS

49" W x 42 3/4" H x 24" D

#### INCLUDES

- Fireplace Barrier Screen
- 14-piece Ceramic Fiber log set
- TruFlame Technology
- Multi-Function Remote
- Noncombustible Board

#### REQUIRES

- Liner

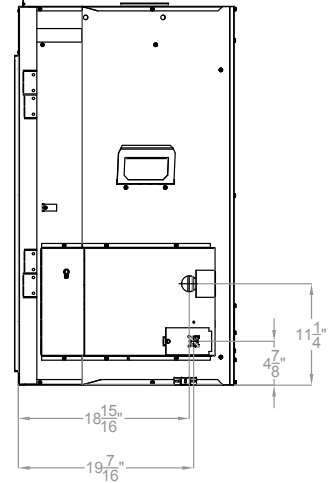
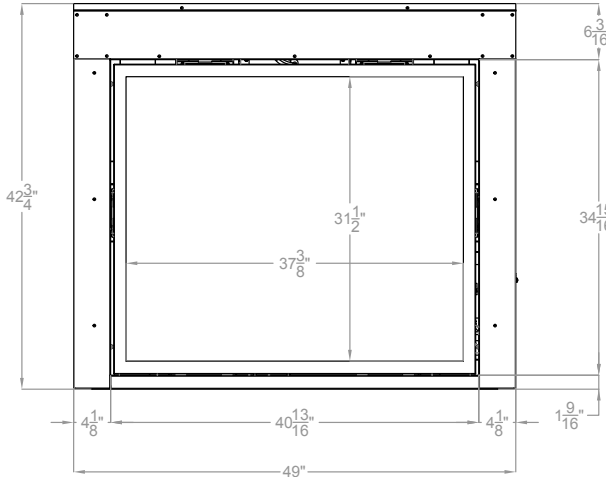
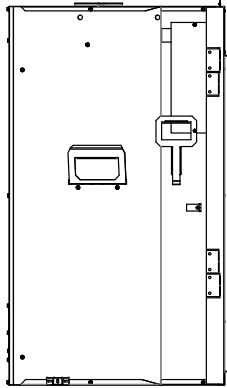
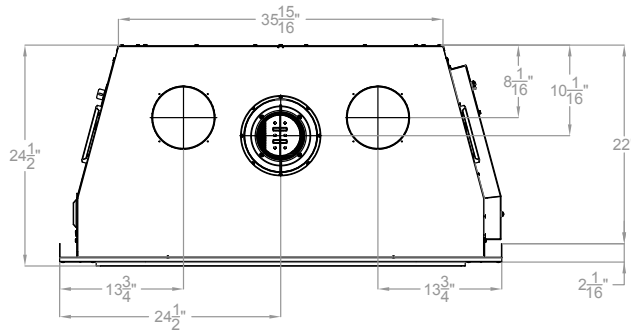
#### TECHNICAL INFORMATION

- Maximum heat output:  
45,000 BTU (LP), 47,500 BTU (Nat)
- Weight: 317 lbs.
- Clearances
  - Back: 0"
  - Side Wall: 2"
  - Floor: 0"
  - Top of Unit: 24"
  - Top Framing Edge: 0"
- Type of Gas: LP or Natural
- Iron Pipe Size: 1/2-inch
- Ignition Systems: Multi-Function
- Vent Size: 5 x 8 inch Top Vent Only  
(12-inch rise before horizontal)

#### FIELD INSTALLED ACCESSORIES

- Liners: Black Porcelain walls, matte floor and ceiling  
Old World Stone walls, floor, ceiling  
Rustic Banded Brick walls, floor, ceiling
- Twin Blower
- Andirons: Matte Black

# DVCT40CF

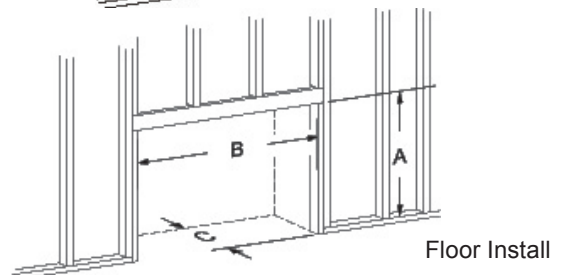
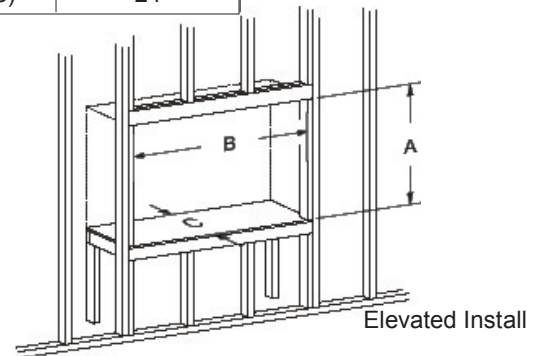
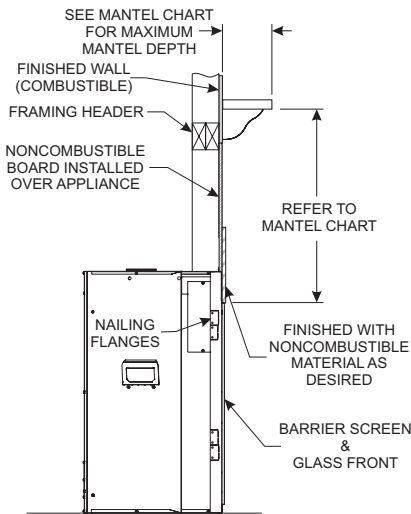


### Clearance to Combustibles (in inches)

Back	0
Side	2
Floor	0
Top of Unit	24
Top Framing Edge	0

### Framing Dimensions (in inches)

Height (A)	53 1/2
Width (B)	49 1/2
Depth (C)	24



Empire is committed to continuous product improvement; specifications are subject to change without notice. Dimensions in this brochure are approximate; read and follow the framing dimensions in the owners manual supplied with your Empire product. Flame size, shape, and color will vary from photos. Our mantels feature natural veneers and hand-rubbed finishes – wood grain and color will vary. Adjust light levels and use "natural light" incandescent bulbs to enhance the dramatic look for your wooden mantel.

Member of the following industry associations:



This appliance is design-certified to the ANSI standard by:



SINCE 1932

Empire Comfort Systems Inc.  
918 Freeburg Ave.  
Belleville, IL 62220-2623  
info@empirecomfort.com

01/18

The Empire Comfort Systems and White Mountain Hearth names and logos are registered U.S. trademarks.