



DIRECT-VENT FIREPLACE

Loft Series DVL33FP

Spec Sheet



GLASS VIEWING AREA

28 1/4 x 13 7/16

ACTUAL DIMENSIONS

40 1/2" W x 29" H x 16 3/4" D

INCLUDES

- Black Porcelain Liner
- Burner

REQUIRES

- Metal Frame and Front with Barrier Screen or Surround with Barrier Screen

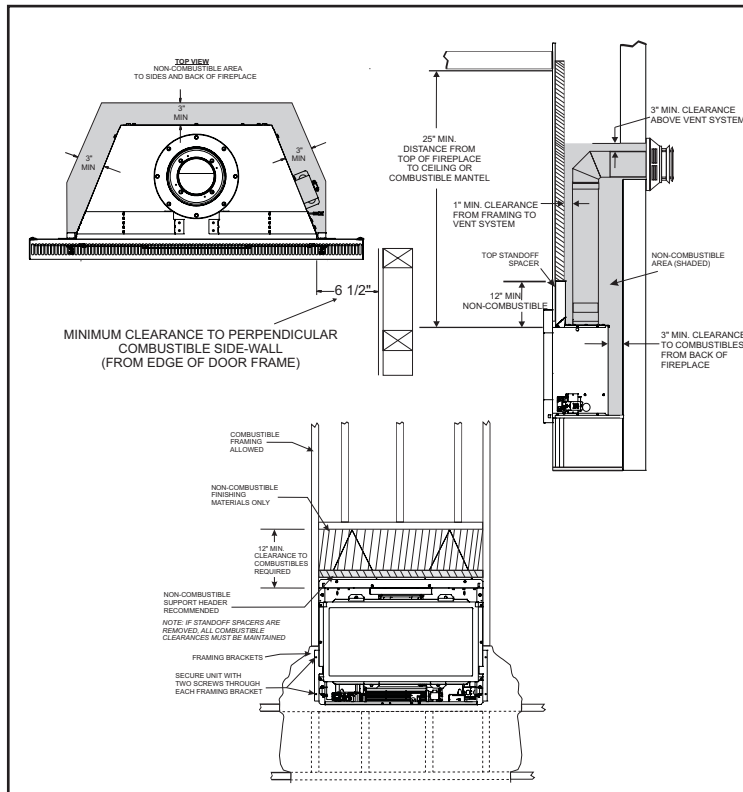
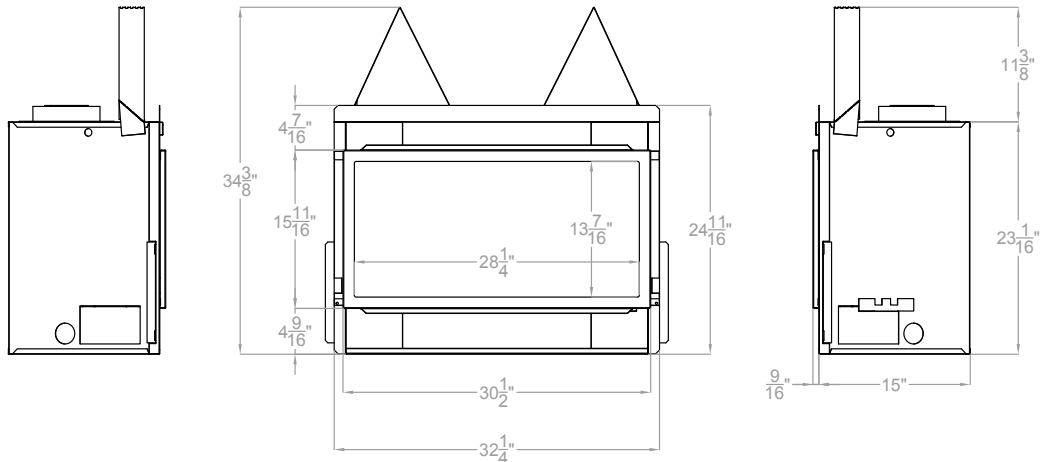
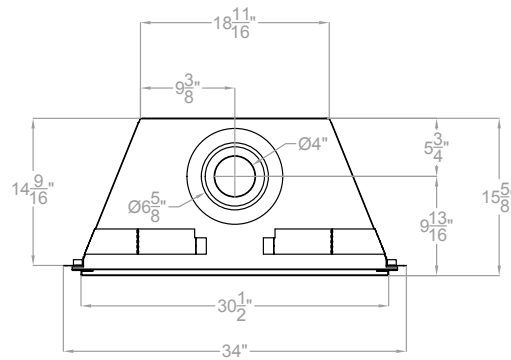
TECHNICAL INFORMATION

- Maximum heat output: 23,000 BTU (LP, Nat)
- Weight: 99 lbs.
- Type of Gas: LP or Natural
- Venting: 4 x 6
- Ignition Systems: Intermittent Pilot or Millivolt

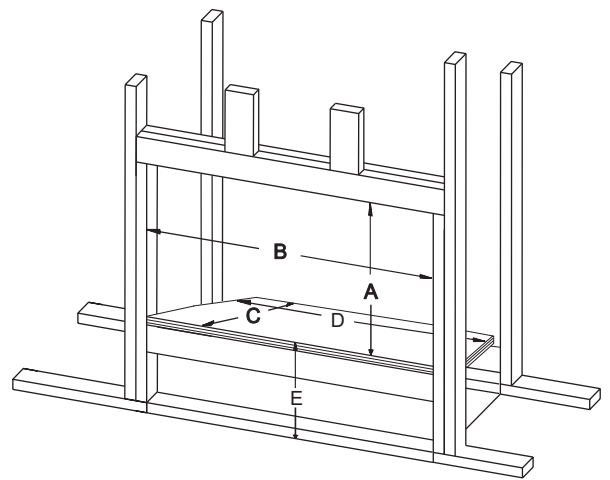
FIELD INSTALLED ACCESSORIES

- Decorative Front with Barrier Screen: Hammered Pewter, Matte Black, Stainless Steel
- Decorative Metal Frame: Requires Eclipse Decorative Front (Matte Black)
- Decorative Surround with Barrier Screen: Matte Black, Stainless Steel
- Decorative Media: Decorative Crushed Glass

DVL33FP



Minimum Fireplace Opening Dimensions (in inches)	
Height (A)	35 1/4
Front Width (B)	32
Depth (C)	17 3/8
Rear Width (D)	22 3/4
Minimum (E)	4



Empire is committed to continuous product improvement; specifications are subject to change without notice. Dimensions in this brochure are approximate; read and follow the framing dimensions in the owners manual supplied with your Empire product. Flame size, shape, and color will vary from photos. Our mantels feature natural veneers and hand-rubbed finishes – wood grain and color will vary. Adjust light levels and use “natural light” incandescent bulbs to enhance the dramatic look for your wooden mantel.



SINCE 1932
 Empire Comfort Systems Inc.
 918 Freeburg Ave.
 Belleville, IL 62220-2623
 info@empirecomfort.com
 01/18

Member of the following industry associations:



This appliance is design-certified to the ANSI standard by:



The Empire Comfort Systems and White Mountain Hearth names and logos are registered U.S. trademarks.