



DIRECT-VENT FIREPLACE

Forest Hills DVLL27FP

Spec Sheet



GLASS VIEWING AREA

23 7/8" W x 32" H

ACTUAL DIMENSIONS

37 3/8" W x 47 3/8" H x 24 3/8" D

INCLUDES

- Variable Remote Control
- Ceramic Glass
- Black Porcelain Liner
- Dimmer Light below floor

REQUIRES

- Fireplace Barrier Screen or Decorative Front with Barrier Screen
- Decorative Square Media Vessel
- Decorative Media

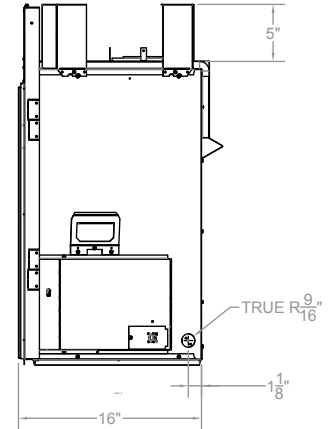
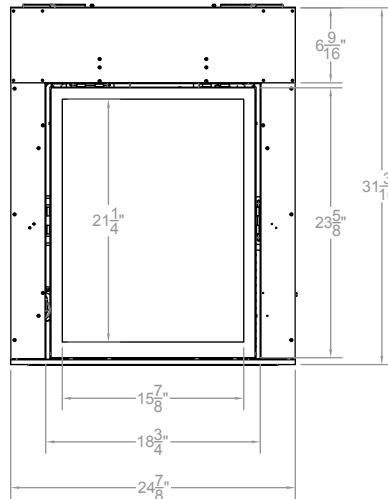
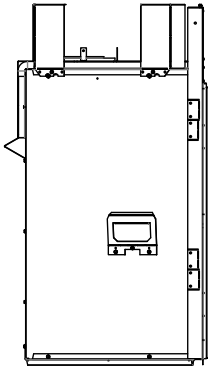
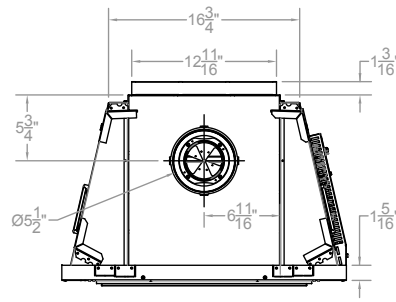
TECHNICAL INFORMATION

- Maximum heat output: 35,000 BTU
- Weight: 261 lbs.
- Efficiency Rating:
 - 65.97% A. F. U. E.
 - 58.20% P4
- Clearances
 - Back: 2 3/4"
 - Side: 2 3/4"
 - Floor: 0"
 - Top Framing Edge: 0"
- Type of Gas: LP or Natural
- Iron Pipe Size: 1/2-inch
- Ignition Systems: Multi-Function
- Vent Size: 5 x 8 inch

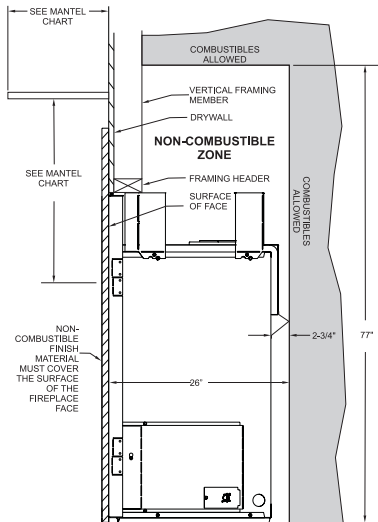
FIELD INSTALLED ACCESSORIES

- Decorative Square Media Vessel:
 - Piazza: Black, White
- Decorative Fronts & Barrier Screens:
 - Beveled Window Frame in Brushed Nickel, Cathedral Front in Black Copper, Floating Front in Brushed Nickel, Portico Front in Natural Iron

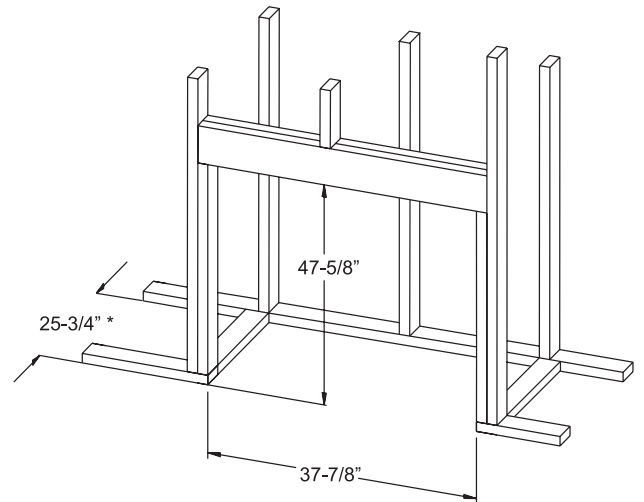
DVLL27FP



Clearance to Combustibles (in inches)	
Back	0
Side	2
Floor	0
Top of Unit	24
Top Framing Edge	0



Framing Dimensions (in inches)



Empire is committed to continuous product improvement; specifications are subject to change without notice. Dimensions in this brochure are approximate; read and follow the framing dimensions in the owners manual supplied with your Empire product. Flame size, shape, and color will vary from photos. Our mantels feature natural veneers and hand-rubbed finishes – wood grain and color will vary. Adjust light levels and use "natural light" incandescent bulbs to enhance the dramatic look for your wooden mantel.

Member of the following industry associations:



This appliance is design-certified to the ANSI standard by:



SINCE 1932

Empire Comfort Systems Inc.
918 Freeburg Ave.
Belleville, IL 62220-2623
info@empirecomfort.com
01/18