



DIRECT-VENT FIREPLACES

Boulevard DVLL48BP

Spec Sheet



GLASS VIEWING AREA

48" W x 13" H

ACTUAL DIMENSIONS

69" W x 34 5/16" H x 18 5/8" D

INCLUDES

- Multi-Function Remote
- Ceramic Glass
- Matte Black Liner
- Barrier Screen
- Noncombustible Board for tops/sides

REQUIRES

- Decorative Crushed Glass (1 boxes)

TECHNICAL INFORMATION

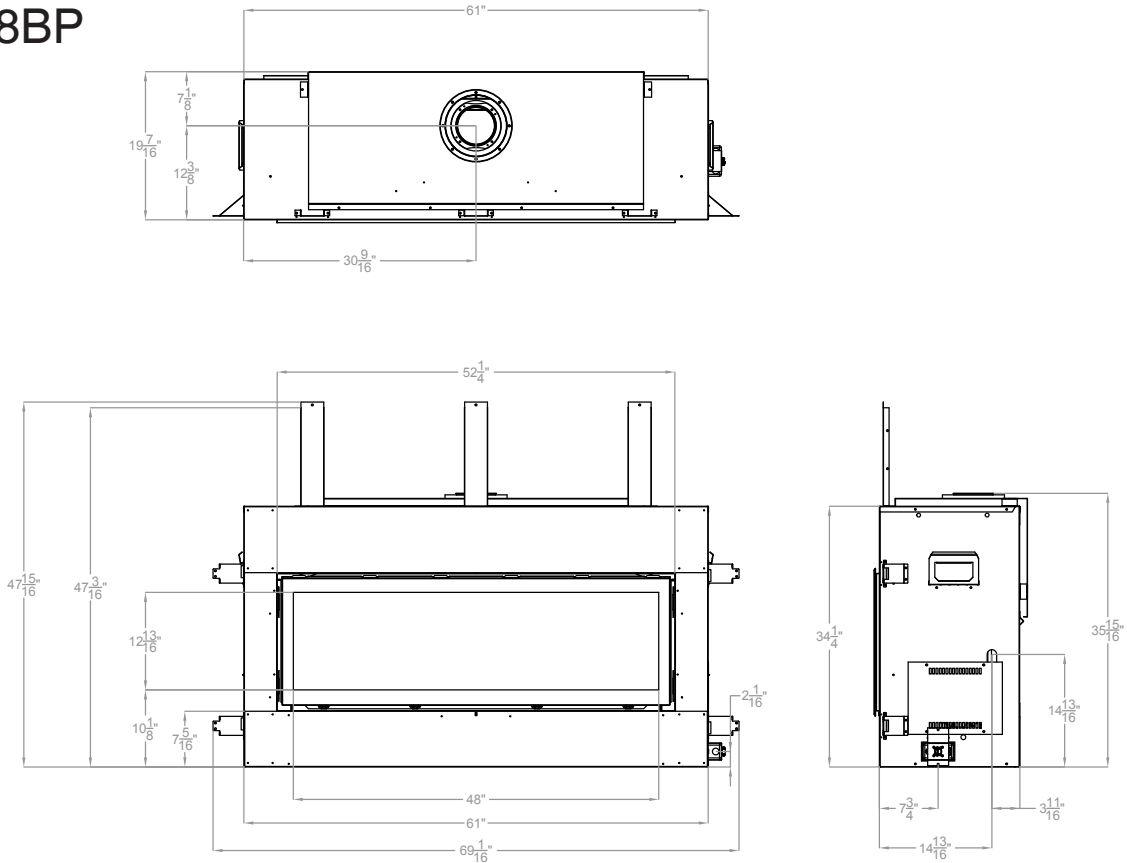
- Maximum heat output:
34,000 BTU (LP), 38,000 BTU (Nat)
- Efficiency Rating:
– 68.07% A. F. U. E.
– 65.50% P4
- Weight: 330 lbs.
- Clearances:
– Side Wall: 3"
– Top Stand-Off Bracket: 0"
– Top Framing Edge: 13"
- Type of Gas: LP or Natural
- Iron Pipe Size: 1/2-inch
- Ignition Systems: Multi-Function
- Vent Size: 5 x 8 inch Top Vent Only

FIELD INSTALLED

ACCESSORIES

- Logs: 7-piece log set, 5 SS Coils
- Liners: Black Porcelain, Bronze Ridgeback
- Decorative Fronts:
Brushed Nickel - Covers glass frame only
Forged Iron - Covers fireplace face
Front - 1-inch conceals tile edges at the fireplace opening
- Decorative Media:
Crushed Glass or 1/2-inch Droplets

DVLL48BP

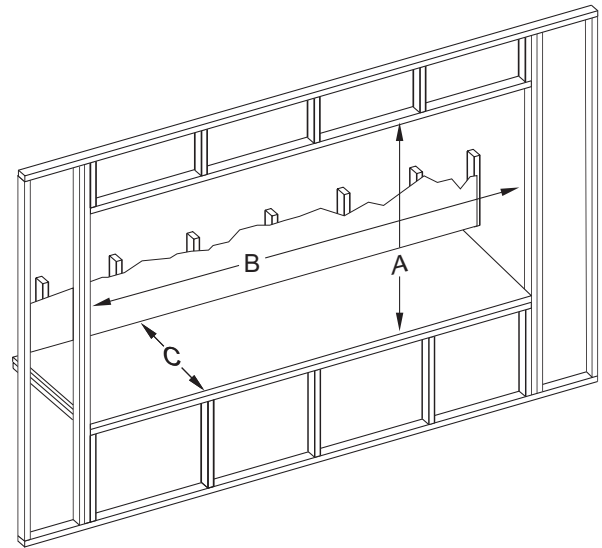
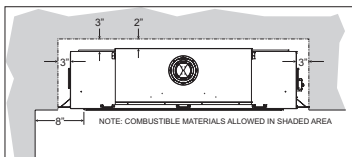
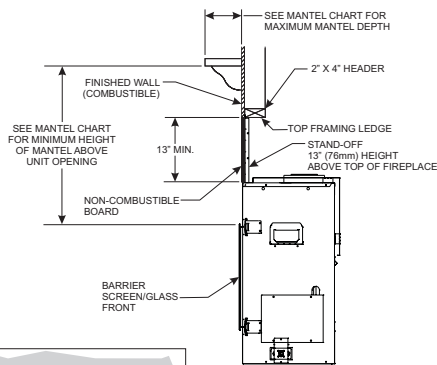


Clearance to Combustibles (in inches)

Clearance to Combustibles (in inches)	See Diagram Below
Back	See Diagram Below
Side	3
Floor	0
Top Stand-off	0
Top Framing Edge	13

Framing Dimensions (in inches)

Height (A)	47 3/8
Width (B)	67 5/8
Depth (C)	21 1/2



Empire is committed to continuous product improvement; specifications are subject to change without notice. Dimensions in this brochure are approximate; read and follow the framing dimensions in the owners manual supplied with your Empire product. Flame size, shape, and color will vary from photos. Our mantels feature natural veneers and hand-rubbed finishes – wood grain and color will vary. Adjust light levels and use "natural light" incandescent bulbs to enhance the dramatic look for your wooden mantel.

Member of the following industry associations:



This appliance is design-certified to the ANSI standard by:



SINCE 1932

Empire Comfort Systems Inc.
918 Freeburg Ave.
Belleville, IL 62220-2623
info@empirecomfort.com
01/18

The Empire Comfort Systems and White Mountain Hearth names and logos are registered U.S. trademarks.