



DIRECT-VENT STOVE

Empire Cast Iron DVP30CC

Spec Sheet



ACTUAL DIMENSIONS

28 1/16" W x 27 3/4" H x 18" D

INCLUDES

- Fireplace Barrier Screen
- 4-piece log set

REQUIRES

- 45° Elbow
- RCK20 Replacement Control cover required for RVKN or RVKP

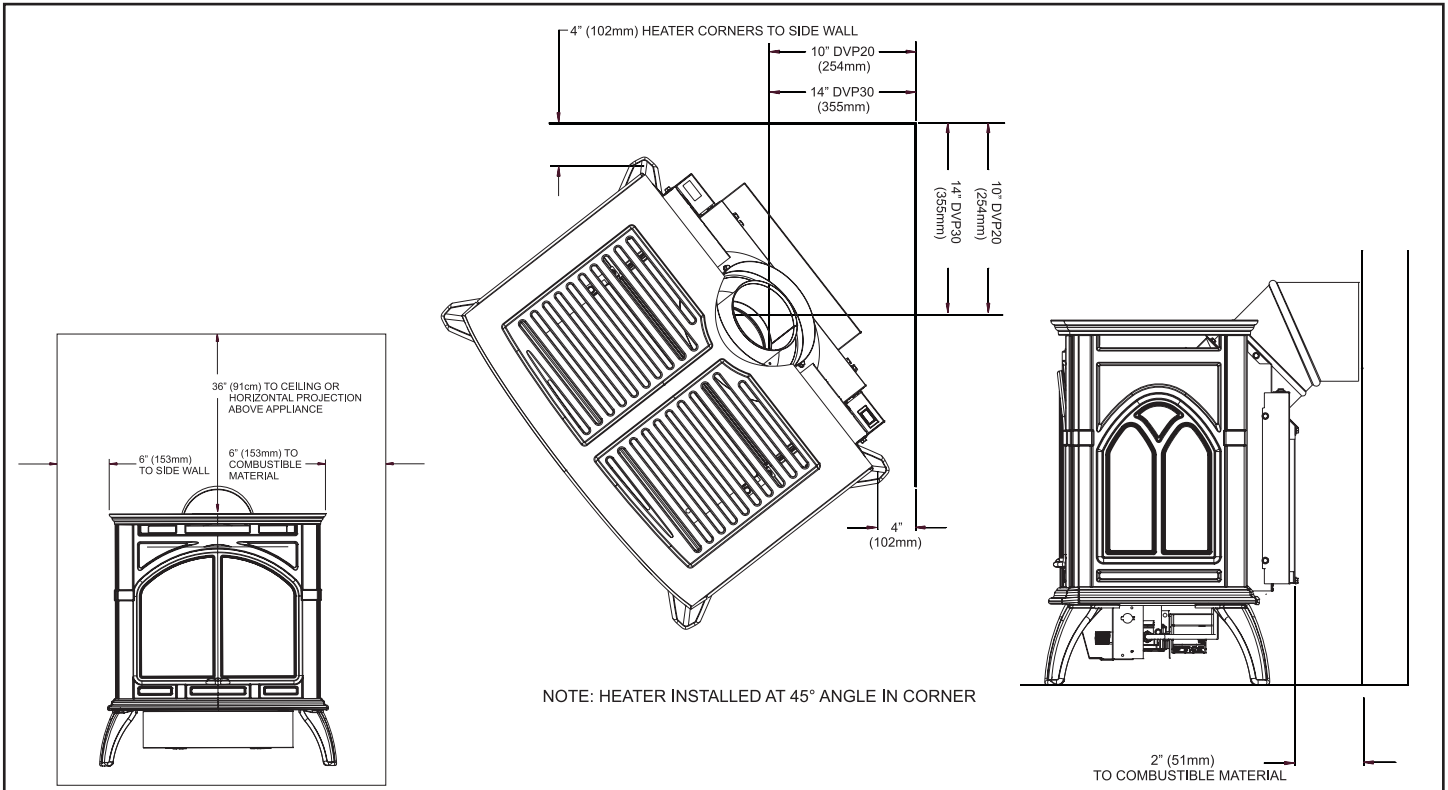
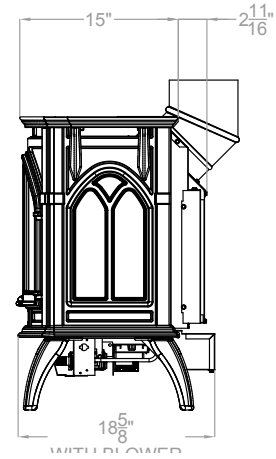
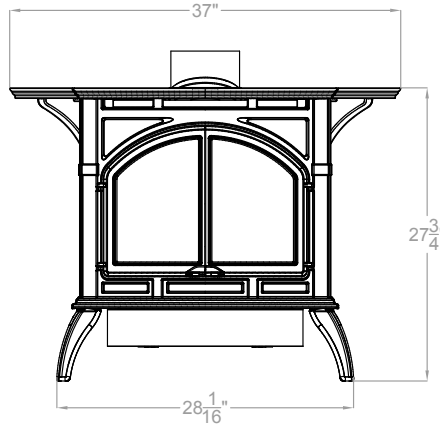
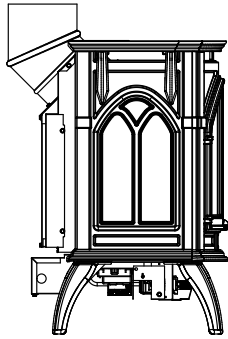
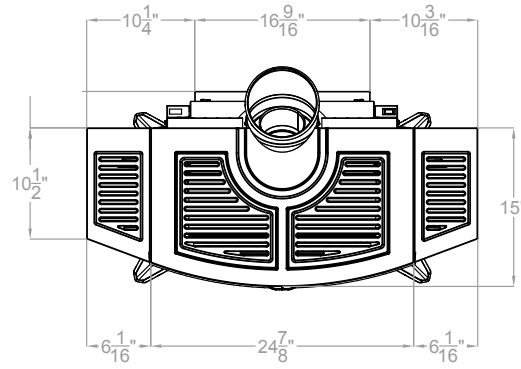
TECHNICAL INFORMATION

- Maximum heat output: 26,500 BTU
- Efficiency Rating:
 - 59.40% A. F. U. E.
 - 52% P4
- Weight: 240 lbs.
- Clearances:
 - Top of appliance (ceiling): 36"
 - Rear Wall: 2"
 - Side Wall: 6"
 - Heater Corners (45° angle) to Wall: 4"
 - Floor: 0"
- Type of Gas: LP or Natural
- Venting: 4 x 6 (use black where visible)
- Ignition Systems: Intermittent Pilot or Millivolt

FIELD INSTALLED ACCESSORIES

- Cast Iron Stove Shelf Kit:
 - Matte Black, Porcelain Black, Porcelain Mahogany
- Liner: Black Porcelain

DVP30CC



Empire is committed to continuous product improvement; specifications are subject to change without notice. Dimensions in this brochure are approximate; read and follow the framing dimensions in the owners manual supplied with your Empire product. Flame size, shape, and color will vary from photos. Our mantels feature natural veneers and hand-rubbed finishes – wood grain and color will vary. Adjust light levels and use “natural light” incandescent bulbs to enhance the dramatic look for your wooden mantel.



Member of the following industry associations:



This appliance is design-certified to the ANSI standard by:

The Empire Comfort Systems and White Mountain Hearth names and logos are registered U.S. trademarks.

SINCE 1932
 Empire Comfort Systems Inc.
 918 Freeburg Ave.
 Belleville, IL 62220-2623
 info@empirecomfort.com
 01/18