



DIRECT-VENT FIREPLACES

Tahoe Deluxe DVP42FP

Spec Sheet



GLASS VIEWING AREA

36 1/2" W x 22" H

ACTUAL DIMENSIONS

43" W x 34 3/4" H x 19 7/8" D

INCLUDES

- 4-piece Ceramic Fiber log set

REQUIRES

- Fireplace Barrier Screen or Door Set and Frame with Barrier Screen

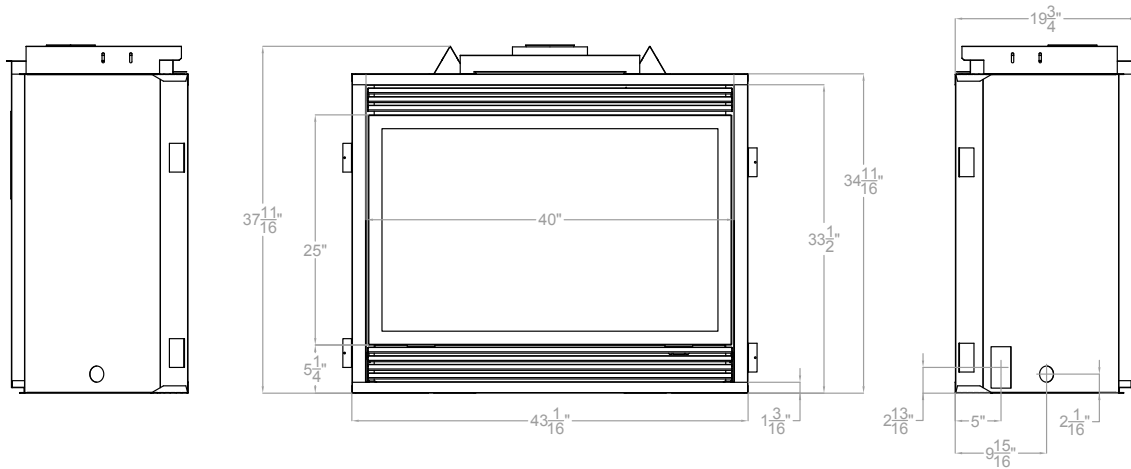
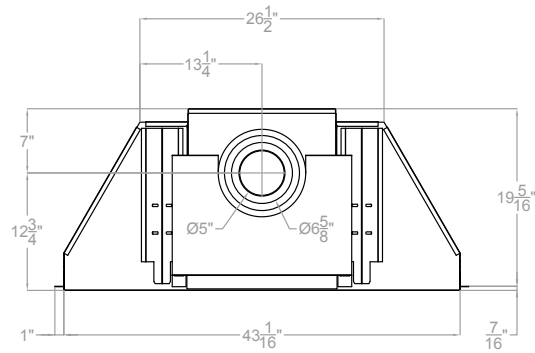
TECHNICAL INFORMATION

- Maximum heat output: 28,000 BTU (LP, Nat)
- Efficiency Rating:
 - 66.87% A. F. U. E.
 - 65.20% P4
- Weight: 145 lbs.
- Clearances
 - Side Wall: 0"
 - Top Trim: 0"
- Type of Gas: LP or Natural
- Iron Pipe Size: 1/2-inch
- Ignition Systems: Intermittent Pilot, Millivolt
- Vent Size: 5 x 8 inch

FIELD INSTALLED ACCESSORIES

- Liners: Aged Brick, Black Porcelain, Herringbone Brick, Stacked Limestone
- Outer Frame: Steel Frame - Hammered Pewter, Matte Black
Aluminum Frame - Hammered Pewter, Matte Black
- Decorative Louvers:
 - Mission - Hammered Pewter, Matte Black
 - Arch - Hammered Pewter, Matte Black

DVP42FP

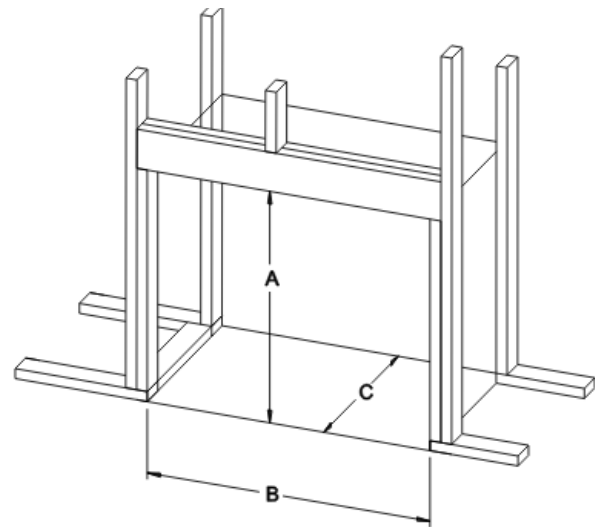
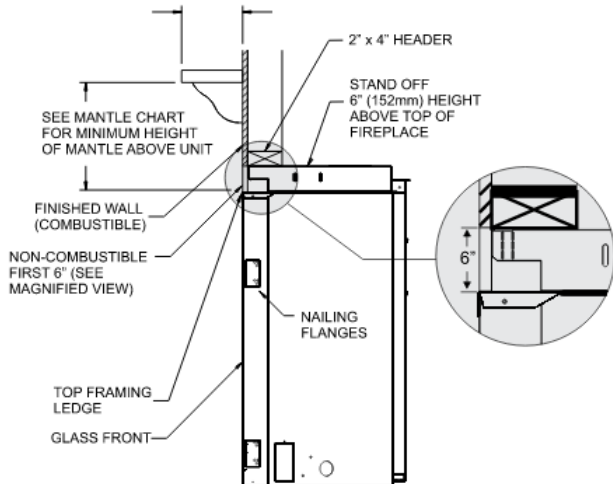


Clearance to Combustibles (in inches)

Back	0 (0 mm)
Side	0 (0 mm)
Floor	0 (0 mm)
Top Stand-off	0 (0 mm)
Top Framing Edge	3 (76 mm)

Framing Dimensions (in inches)

Height (A)	37 3/4
Width (B)	43 3/8
Depth (C)	19 7/8



Empire is committed to continuous product improvement; specifications are subject to change without notice. Dimensions in this brochure are approximate; read and follow the framing dimensions in the owners manual supplied with your Empire product. Flame size, shape, and color will vary from photos. Our mantels feature natural veneers and hand-rubbed finishes – wood grain and color will vary. Adjust light levels and use “natural light” incandescent bulbs to enhance the dramatic look for your wooden mantel.

Member of the following industry associations:



This appliance is design-certified to the ANSI standard by:



SINCE 1932

Empire Comfort Systems Inc.
918 Freeburg Ave.
Belleville, IL 62220-2623
info@empirecomfort.com
01/18

The Empire Comfort Systems and White Mountain Hearth names and logos are registered U.S. trademarks.