



DIRECT-VENT FIREPLACES

Boulevard Linear DVTL41BP

Spec Sheet



GLASS VIEWING AREA

41" W x 13" H

ACTUAL DIMENSIONS

51 1/16" W x 24 1/4" H x 15 13/16" D

INCLUDES

- Variable Remote Control
- Ceramic Glass
- White Dimmer Light below floor

REQUIRES

- Decorative Front with Fireplace Barrier Screen
- Log Set

TECHNICAL INFORMATION

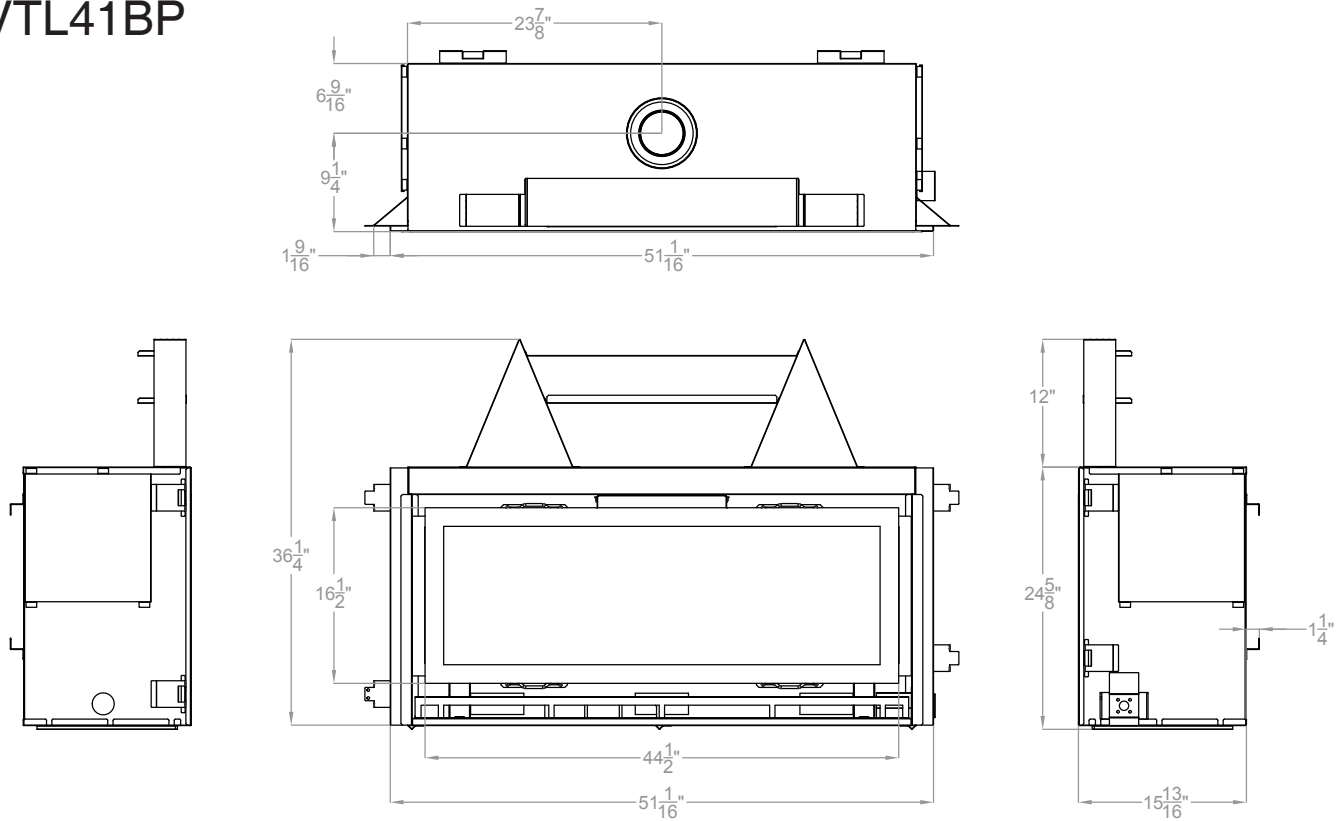
- Maximum heat output:
31,500 BTU (LP), 34,500 BTU (Nat)
- Efficiency Rating:
 - 68.28% A. F. U. E.
 - 57.90% P4
- Weight: 263 lbs.
- Clearances
 - Side Wall: 3 1/8"
 - Top Stand-Off: 12"
 - Top Framing Edge: 12"
- Type of Gas: LP or Natural
- Iron Pipe Size: 1/2-inch
- Ignition Systems: Intermittent Pilot
- Vent Size: 4 x 6 inch, Top Vent Only

FIELD INSTALLED

ACCESSORIES

- Log Set:
 - 5-piece Ceramic Fiber Charred log set
 - 5-piece Ceramic Fiber Driftwood log set
- Liner: Black Porcelain
- Blower
- Decorative Fronts with Barrier Screen:
2-in. Matte Black, 4-in. Matte Black
Tidewater - Hammered Pewter,
Matte Black

DVTL41BP

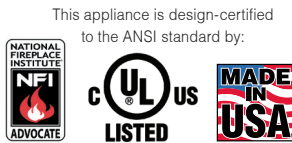


Clearance to Combustibles (in inches)	
Back	1 1/4 (32mm)
Side	3 1/8 (79mm)
Floor	0
Top Stand-off	12 (305mm)
Top Framing Edge	13
Min. Height from top of Fireplace Opening to Ceiling	46 3/4 (1.17m)

Framing Dimensions (in inches)	
Height (A)	36 7/8
Width (B)	54 1/2
Depth (C)	17 1/16

Empire is committed to continuous product improvement; specifications are subject to change without notice. Dimensions in this brochure are approximate; read and follow the framing dimensions in the owners manual supplied with your Empire product. Flame size, shape, and color will vary from photos. Our mantels feature natural veneers and hand-rubbed finishes – wood grain and color will vary. Adjust light levels and use “natural light” incandescent bulbs to enhance the dramatic look for your wooden mantel.

Member of the following industry associations:



SINCE 1932
 Empire Comfort Systems Inc.
 918 Freeburg Ave.
 Belleville, IL 62220-2623
 info@empirecomfort.com
 01/18

The Empire Comfort Systems and White Mountain Hearth names and logos are registered U.S. trademarks.