



VENT-FREE FIREPLACE

Loft Series VFL20IN

Spec Sheet



ACTUAL DIMENSIONS

29 1/4" W x 19 3/4" H x 13 9/16" D

INCLUDES

- Black Porcelain Liner
- Burner

REQUIRES

- Decorative Front to complete In-Wall installation

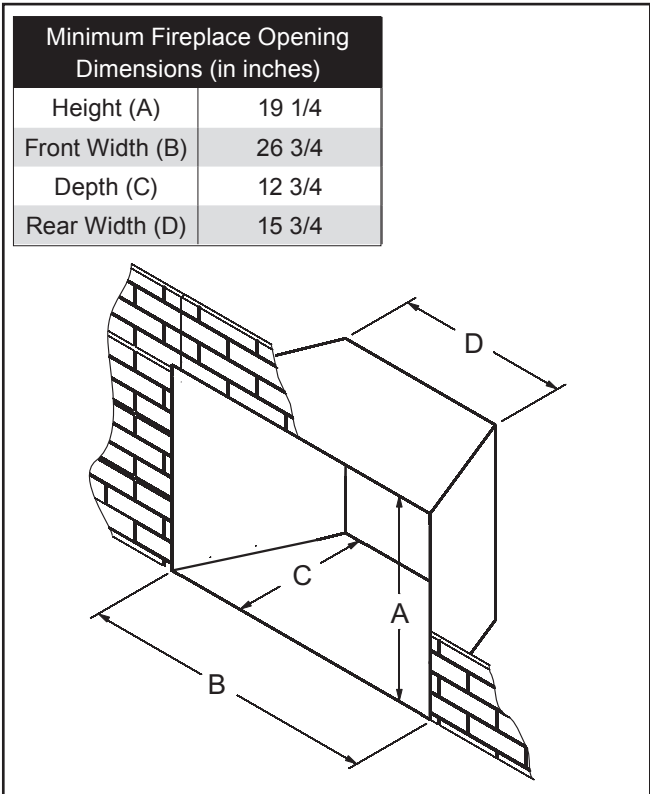
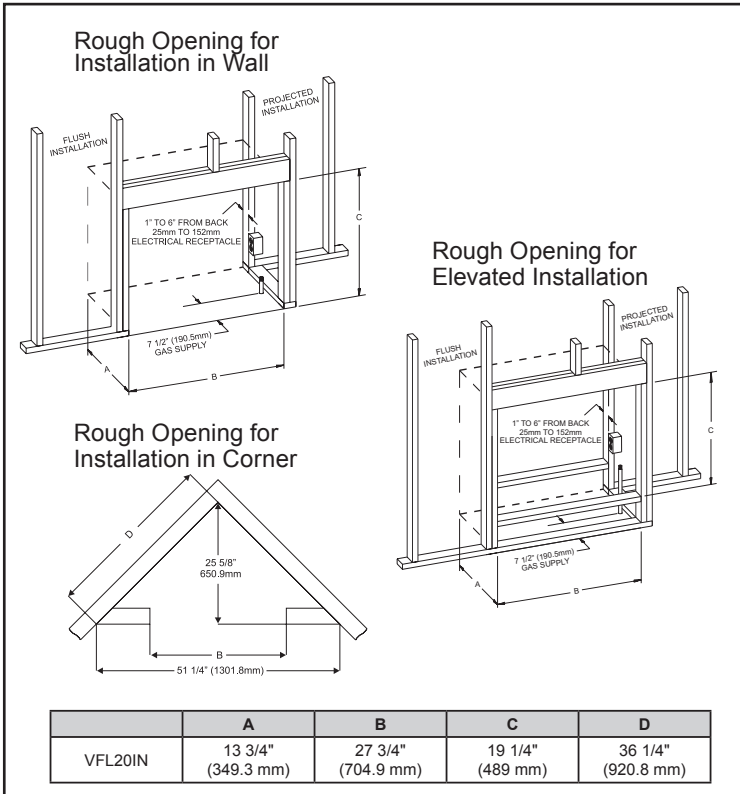
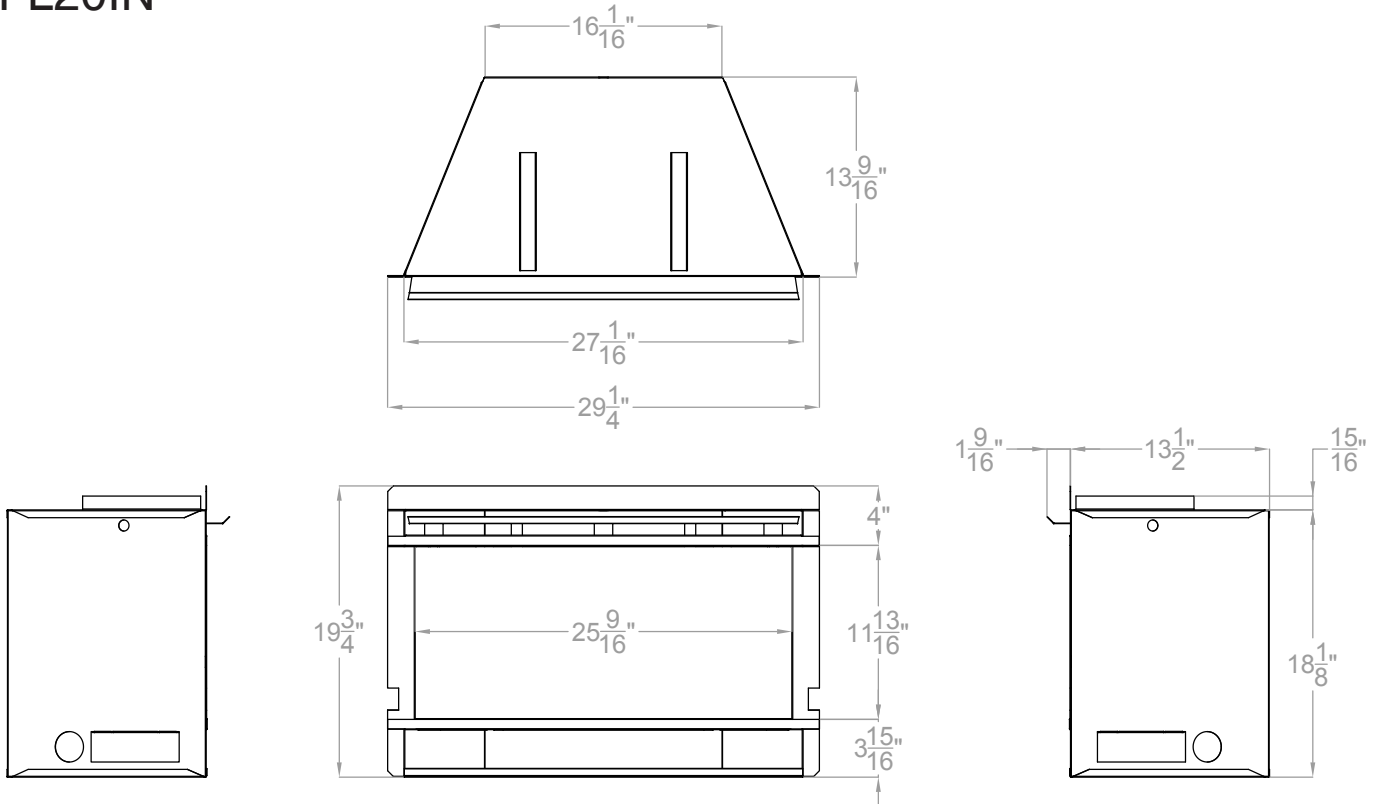
TECHNICAL INFORMATION

- Maximum heat output:
 - 10,000 BTU for VFL20IN3210 (LP, Nat)
 - 20,000 BTU for VFL20IN32 (LP, NAT)
- Weight: 51 lbs.
- Type of Gas: LP or Natural
- Ignition Systems: Intermittent Pilot or Millivolt

FIELD INSTALLED ACCESSORIES

- Decorative Front:
 - Tempered Glass, Black or Rectangle, Matte Black
- Custom Surround, 3-sided or 4-Sided, Matte Black
- Decorative Crushed Glass
- Blower
- Shroud, Matte Black

VFL20IN



Empire is committed to continuous product improvement; specifications are subject to change without notice. Dimensions in this brochure are approximate; read and follow the framing dimensions in the owners manual supplied with your Empire product. Flame size, shape, and color will vary from photos. Our mantels feature natural veneers and hand-rubbed finishes – wood grain and color will vary. Adjust light levels and use "natural light" incandescent bulbs to enhance the dramatic look for your wooden mantel.

Member of the following industry associations:



The Empire Comfort Systems and White Mountain Hearth names and logos are registered U.S. trademarks.



SINCE 1932

Empire Comfort Systems Inc.
918 Freeburg Ave.
Belleville, IL 62220-2623
info@empirecomfort.com
01/18