



# VENT-FREE FIREPLACES

## Boulevard See-Through VFLL60SP

### Spec Sheet



#### ACTUAL DIMENSIONS

64 3/4" W x 22 1/4" H x 11 13/16" D

#### INCLUDES

- LED Lighting under burner
- Thermostat Variable Remote Control
- Extension Kit to mount lighting wall controls up to 6 ft. away
- Non-combustible board

#### REQUIRES

- Decorative Crushed Glass

#### TECHNICAL INFORMATION

- Maximum heat output:
  - 38,500 BTU (LP)
  - 40,000 BTU (Nat)
- Weight: 262 lbs.
- Type of Gas: LP or Natural
- Iron Pipe Size: 1/2-inch
- Ignition Systems: Intermittent Pilot

#### FIELD INSTALLED ACCESSORIES

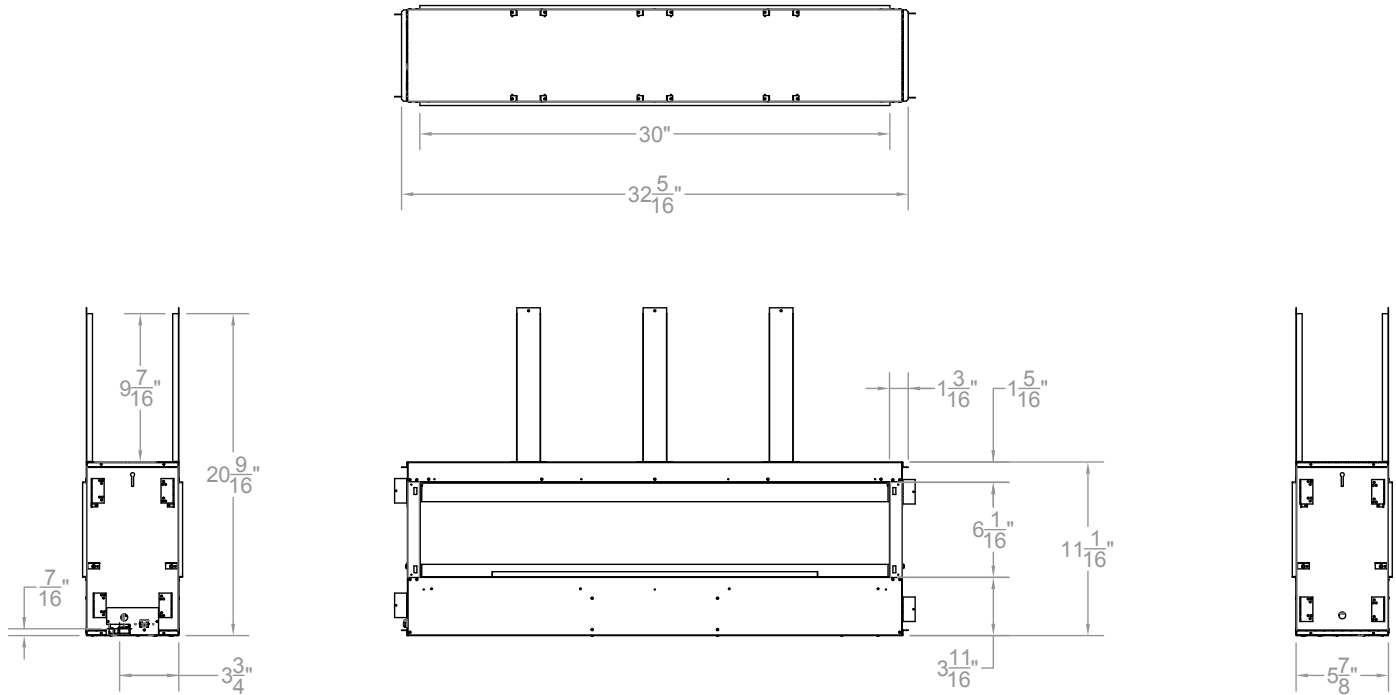
- Blue Bay Log and Rock Set
- Black Reflective Liner
- Decorative Media
- Decorative Fronts: Beveled Matte Black, Beveled Brushed Nickel
- Exterior Frame with Glass and Screen, Stainless Steel

#### This fireplace installs as:

- Conventional See-Through on an interior wall.  
Requires finishing to the fireplace opening on both sides with plaster/tile/stone/brick, with or without decorative frames.
- Indoor/Outdoor See-Through on an exterior wall.  
Requires finishing to the fireplace opening on the interior side with plaster/tile/stone/brick, with or without a decorative frame. Exterior wall requires special framing and the Exterior frame.

# VFLL60SP

\*see manual for Outdoor Kit



Clearance (in inches)						
	A	B	C	D	E	F
VFLL60SP	6	8	10	12	14	16

Clearance diagram showing the fireplace unit installed in a wall. The diagram labels the following components and clearances:

- FRAMED WALL
- FLAT MANTEL SHELF
- HEADER
- BRACED
- COMBUSTIBLES NOT ALLOWED IN SHADDED AREA
- TOP OF FIREPLACE OPENING
- NON-COMBUSTIBLE MATERIAL MUST BE INSTALLED TO EDGE OF FIREPLACE OPENING
- Clearance A: 6"
- Clearance B: 8"
- Clearance C: 10"
- Clearance D: 12"
- Clearance E: 14"
- Clearance F: 16"

Framing Dimensions (in inches)	
Height (A)	41 1/2
Width (B)	67 1/2
Depth (C)	11 3/4

Framing diagram showing the fireplace unit installed in a wall. The diagram labels the following dimensions:

- Height (A): 41 1/2"
- Width (B): 67 1/2"
- Depth (C): 11 3/4"

Empire is committed to continuous product improvement; specifications are subject to change without notice. Dimensions in this brochure are approximate; read and follow the framing dimensions in the owners manual supplied with your Empire product. Flame size, shape, and color will vary from photos. Our mantels feature natural veneers and hand-rubbed finishes – wood grain and color will vary. Adjust light levels and use "natural light" incandescent bulbs to enhance the dramatic look for your wooden mantel.

Member of the following industry associations:



This appliance is design-certified to the ANSI standard by:



SINCE 1932

Empire Comfort Systems Inc.  
918 Freeburg Ave.  
Belleville, IL 62220-2623  
info@empirecomfort.com  
01/18

The Empire Comfort Systems and White Mountain Hearth names and logos are registered U.S. trademarks.