



# VENT-FREE INSERTS

Innsbrook VFP20IN

Spec Sheet



## ACTUAL DIMENSIONS

28" W x 19 3/4" H x 14 1/2" D

## INCLUDES

- Log Set
- Banded Ceramic Brick Liner
- Blower

## REQUIRES

- Insert Surround

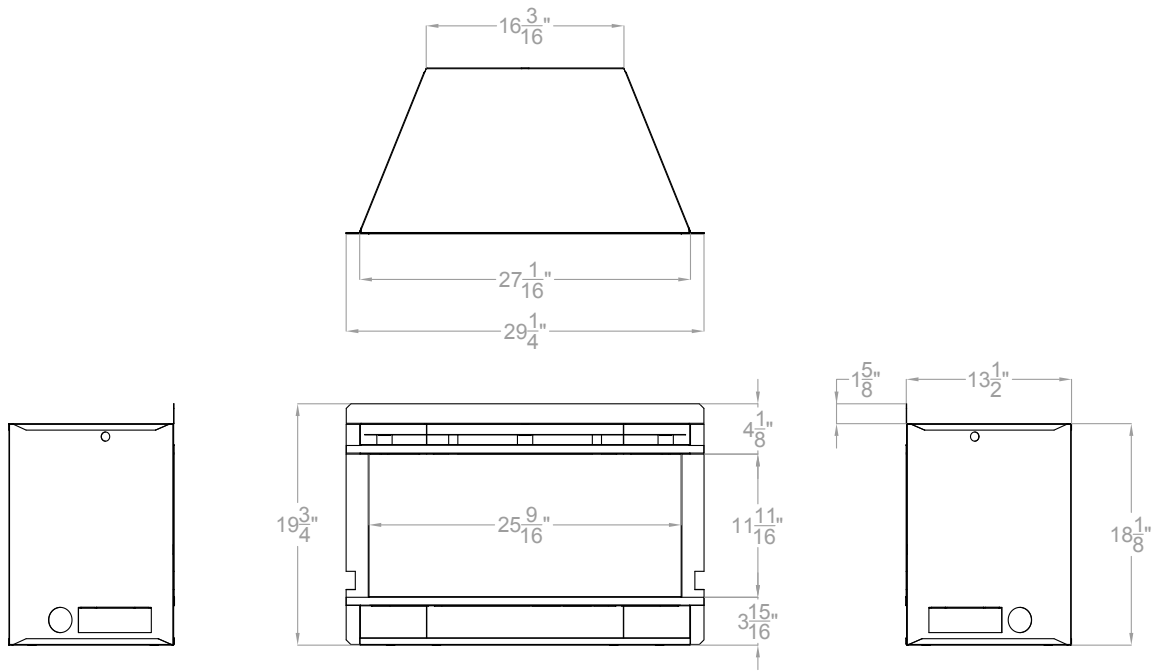
## TECHNICAL INFORMATION

- Weight: 59 lbs.
- 20,000 BTU (LP, Nat)
- Ignition System: Intermittent Pilot, Millivolt, Thermostat Control

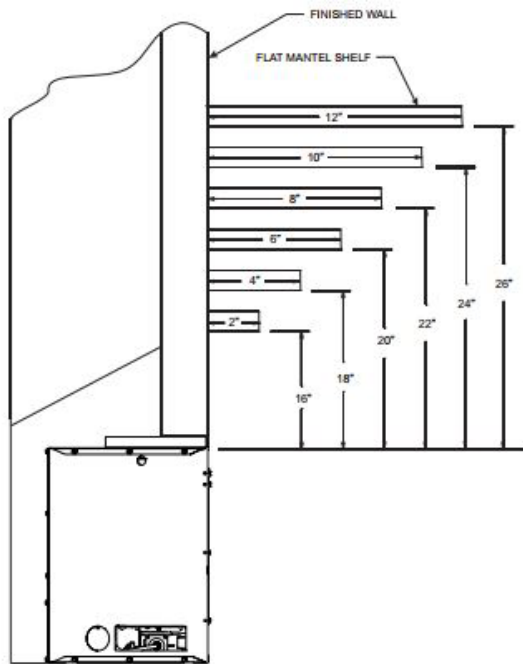
## FIELD INSTALLED ACCESSORIES

- Control Options
- Insert Front or Surround (required)
- Custom Surrounds
- Decorative Louvers: Mission or Arch, Hammered Pewter or Matte Black

# VFP20IN

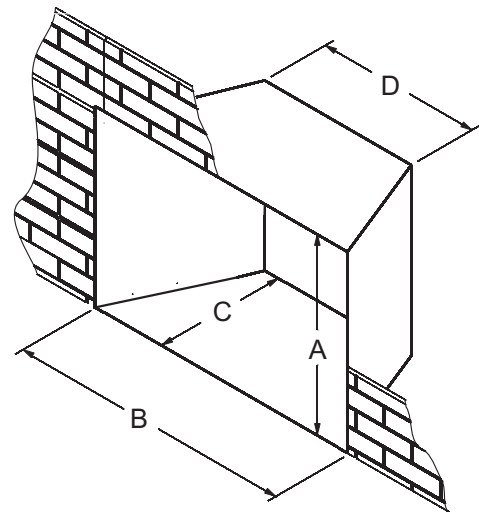


## Clearance to Combustibles



## Minimum Fireplace Opening Dimensions (in inches)

Height (A)	18 1/2
Front Width (B)	26 3/4
Depth (C)	13 3/4
Rear Width (D)	15 3/4



Empire is committed to continuous product improvement; specifications are subject to change without notice. Dimensions in this brochure are approximate; read and follow the framing dimensions in the owners manual supplied with your Empire product. Flame size, shape, and color will vary from photos. Our mantels feature natural veneers and hand-rubbed finishes – wood grain and color will vary. Adjust light levels and use "natural light" incandescent bulbs to enhance the dramatic look for your wooden mantel.

Member of the following industry associations:



This appliance is design-certified to the ANSI standard by:



SINCE 1932

Empire Comfort Systems Inc.  
918 Freeburg Ave.  
Belleville, IL 62220-2623  
info@empirecomfort.com  
01/18

The Empire Comfort Systems and White Mountain Hearth names and logos are registered U.S. trademarks.