



# VENT-FREE FIREPLACES

Vail VFP32BP

Spec Sheet



## ACTUAL DIMENSIONS

34" W x 32 3/4" H x 17 3/8" D

## INCLUDES

- Outer Frame, Hood and Louvers in Matte Black

## REQUIRES

- Log Set

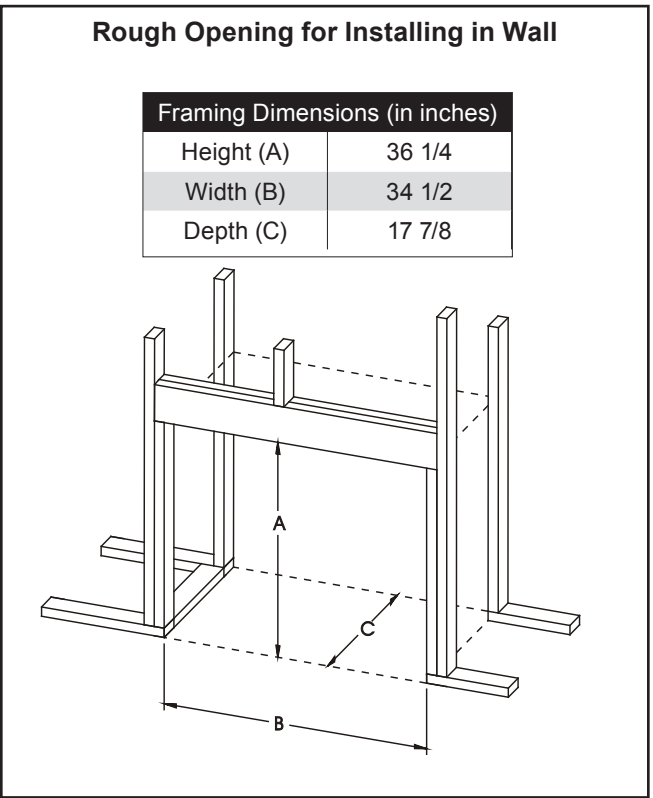
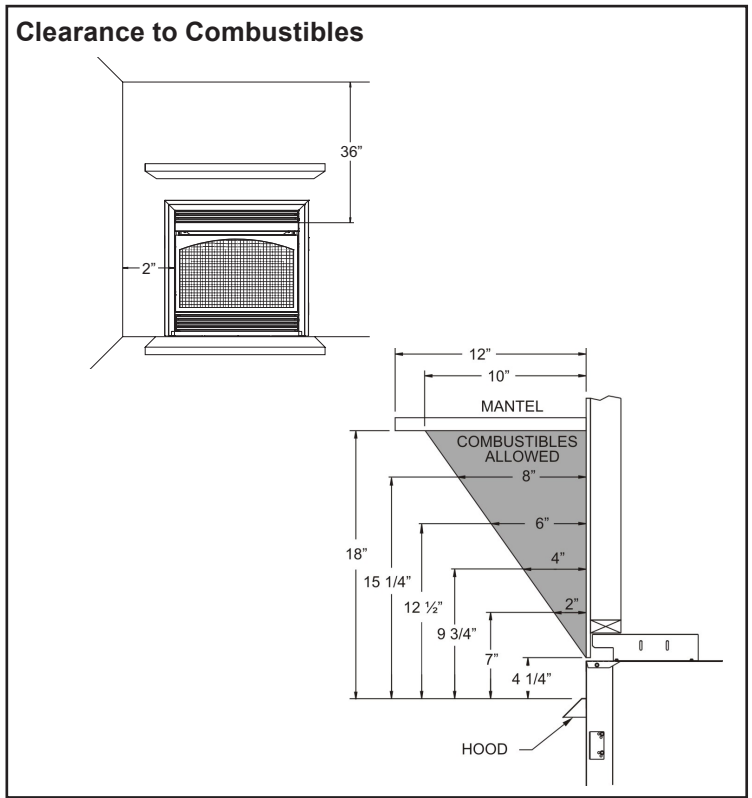
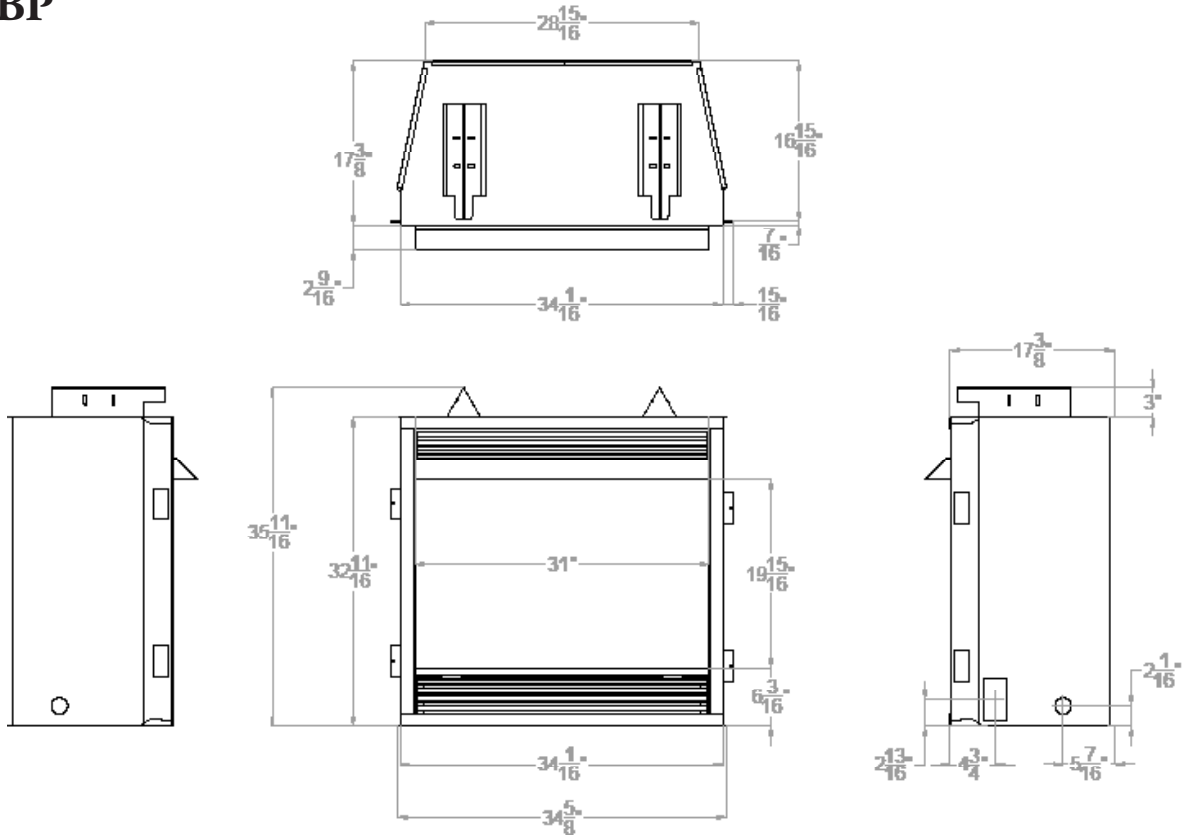
## TECHNICAL INFORMATION

- Weight: 96 lbs.
- 32,000 BTU (LP, Nat)
- Ignition System: Intermittent Pilot, Millivolt, Thermostat

## FIELD INSTALLED ACCESSORIES

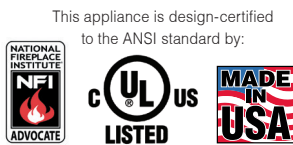
- Liners: Aged Brick, Stacked Limestone
- Blower
- Ember Kit
- Outer Steel Frame: Hammered Pewter
- Outer Aluminum Frame: Hammered Pewter, Matte Black
- Decorative Louvers: Arch or Mission in Hammered Pewter or Matte Black
- Decorative Doors: Mission Arch or Arch in Hammered Pewter or Matte Black
- Control Options
- Standard or Corner Mantel

# VFP32BP



Empire is committed to continuous product improvement; specifications are subject to change without notice. Dimensions in this brochure are approximate; read and follow the framing dimensions in the owners manual supplied with your Empire product. Flame size, shape, and color will vary from photos. Our mantels feature natural veneers and hand-rubbed finishes – wood grain and color will vary. Adjust light levels and use "natural light" incandescent bulbs to enhance the dramatic look for your wooden mantel.

Member of the following industry associations:



SINCE 1932  
 Empire Comfort Systems Inc.  
 918 Freeburg Ave.  
 Belleville, IL 62220-2623  
 info@empirecomfort.com  
 01/18

The Empire Comfort Systems and White Mountain Hearth names and logos are registered U.S. trademarks.