



VENT-FREE FIREPLACE

Loft Series VFL28IN

Spec Sheet



ACTUAL DIMENSIONS

32 1/4" W x 22 3/4" H x 15" D

INCLUDES

- Black Porcelain Liner
- Burner

REQUIRES

- Decorative Front to complete In-Wall installation

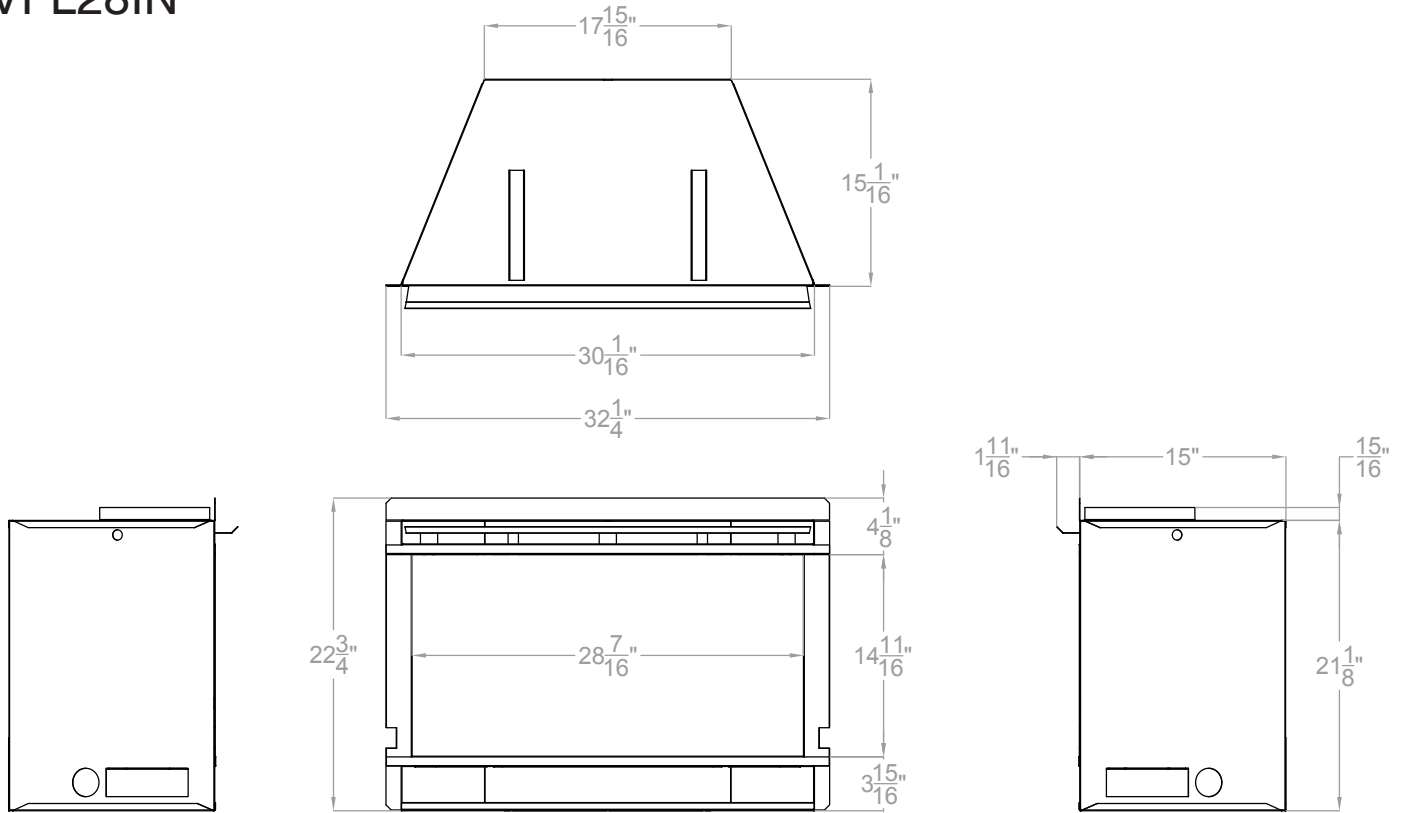
TECHNICAL INFORMATION

- Maximum heat output: 28,000 BTU (LP,NAT)
- Weight: 53 lbs.
- Type of Gas: LP or Natural
- Ignition Systems: Intermittent Pilot or Millivolt

FIELD INSTALLED ACCESSORIES

- Decorative Front: Tempered Glass, Black or Rectangle, Matte Black
- Custom Surround, 3-sided or 4-Sided, Matte Black
- Decorative Crushed Glass
- Blower
- Shroud, Matte Black

VFL28IN



Rough Opening for Installation in Wall

Rough Opening for Elevated Installation

Rough Opening for Installation in Corner

	A	B	C	D
VFL28IN	16 3/4" (425.5 mm)	30 1/2" (774.7 mm)	22 1/2" (571.5 mm)	36 1/4" (920.8 mm)

Minimum Fireplace Opening Dimensions (in inches)

Height (A)	22 1/4
Front Width (B)	30 3/4
Depth (C)	14 1/4
Rear Width (D)	19

Empire is committed to continuous product improvement; specifications are subject to change without notice. Dimensions in this brochure are approximate; read and follow the framing dimensions in the owners manual supplied with your Empire product. Flame size, shape, and color will vary from photos. Our mantels feature natural veneers and hand-rubbed finishes – wood grain and color will vary. Adjust light levels and use "natural light" incandescent bulbs to enhance the dramatic look for your wooden mantel.

Member of the following industry associations:



This appliance is design-certified to the ANSI standard by:



SINCE 1932

Empire Comfort Systems Inc.
918 Freeburg Ave.
Belleville, IL 62220-2623
info@empirecomfort.com
01/18