



# VENT-FREE STOVES

Empire Cast Iron VFD10CC

Spec Sheet



## ACTUAL DIMENSIONS

21 1/2" W x 24 1/8" H x 15 3/8" D

## INCLUDES

- 6-piece log set

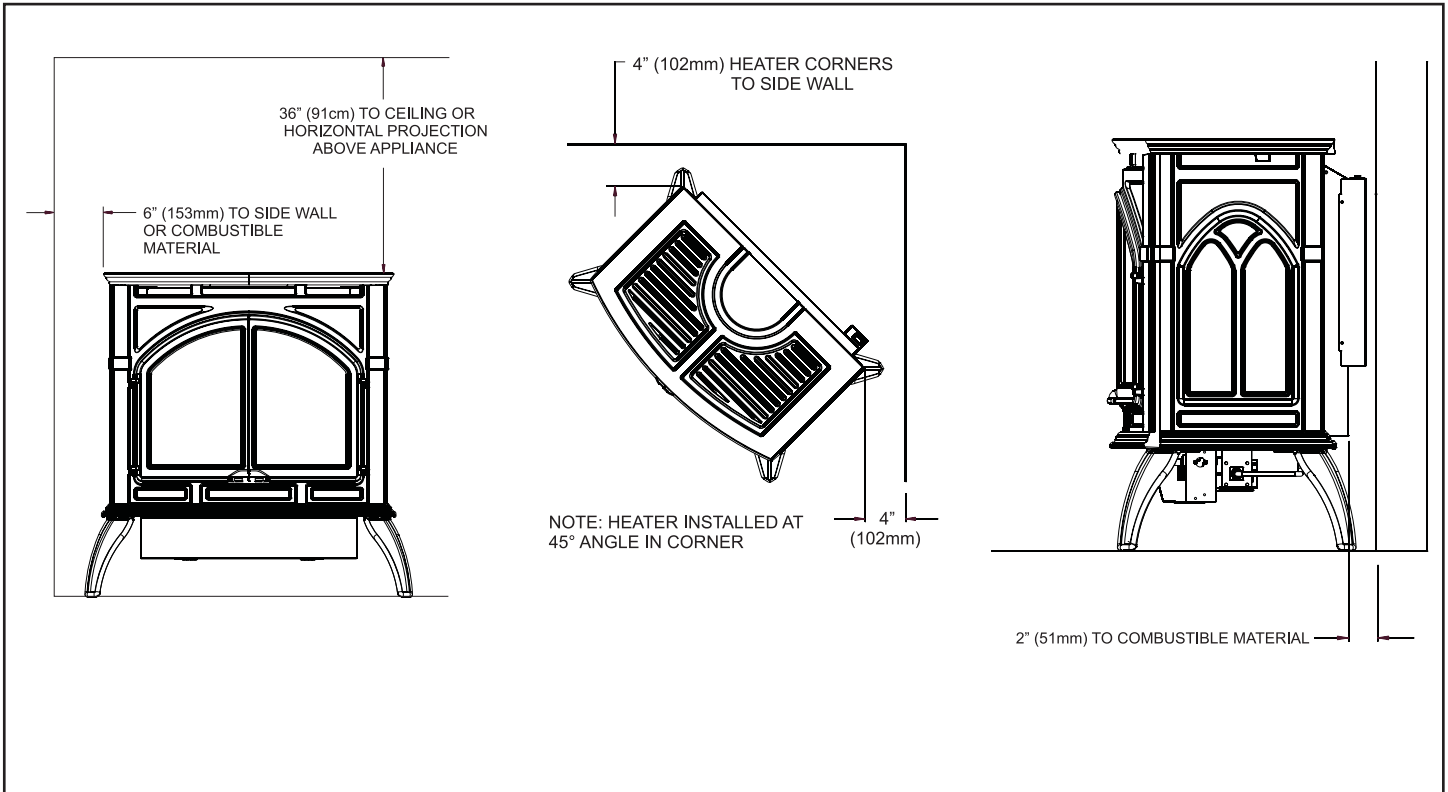
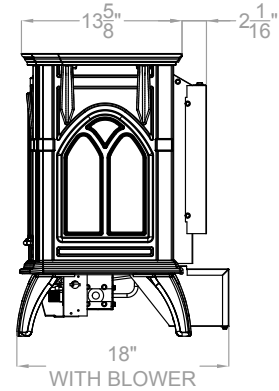
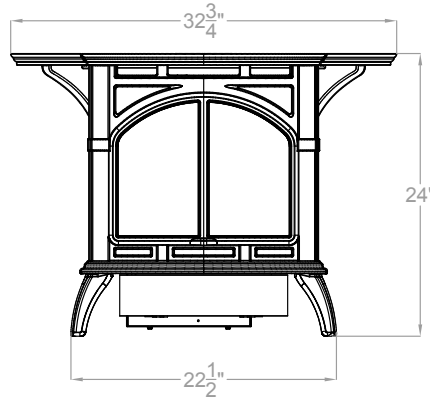
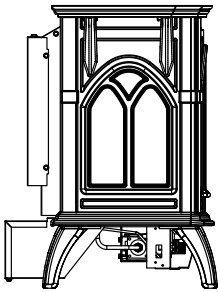
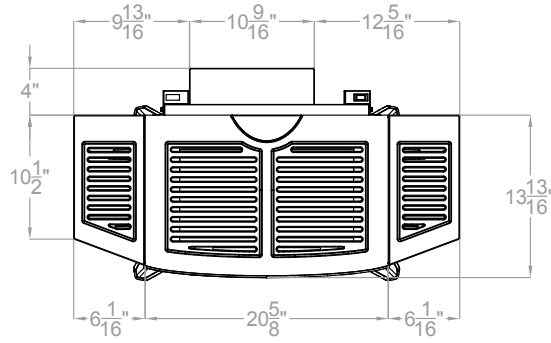
## TECHNICAL INFORMATION

- Maximum heat output: 10,000 BTU (LP, Nat)
- 10,000 BTU vent-free stoves are designed for bedroom applications, where allowed by code.
- Weight: 172 lbs.
- Type of Gas: LP or Natural
- Ignition Systems: Intermittent Pilot or Millivolt
- Clearances:
  - Top of appliance: 36"
  - Rear Wall: 2"
  - Side Wall: 6"
  - Heater Corners (45° angle) to wall: 4"
  - Floor: 0"

## FIELD INSTALLED ACCESSORIES

- Cast Iron Stove Shelf Kit:
  - Matte Black, Porcelain Black, Porcelain Mahogany
- Blower
- Remote Control Options

# VFD10CC



Empire is committed to continuous product improvement; specifications are subject to change without notice. Dimensions in this brochure are approximate; read and follow the framing dimensions in the owners manual supplied with your Empire product. Flame size, shape, and color will vary from photos. Our mantels feature natural veneers and hand-rubbed finishes – wood grain and color will vary. Adjust light levels and use "natural light" incandescent bulbs to enhance the dramatic look for your wooden mantel.

Member of the following industry associations:



This appliance is design-certified to the ANSI standard by:



SINCE 1932

Empire Comfort Systems Inc.  
918 Freeburg Ave.  
Belleville, IL 62220-2623  
info@empirecomfort.com

01/18

The Empire Comfort Systems and White Mountain Hearth names and logos are registered U.S. trademarks.