



VENT-FREE FIREPLACES

Vail VFP36BP

Spec Sheet



ACTUAL DIMENSIONS

39" W x 34 3/4" H x 17 3/8" D

INCLUDES

- Outer Frame, Hood and Louvers in Matte Black

REQUIRES

- Log Set

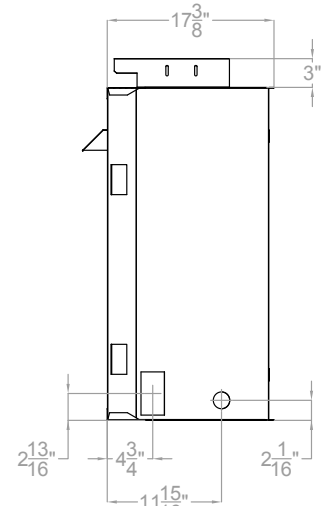
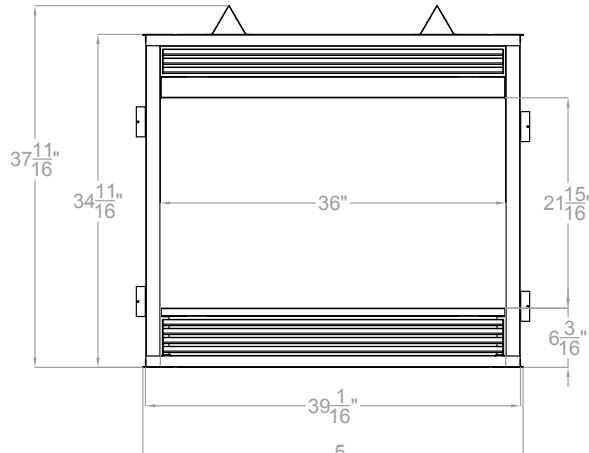
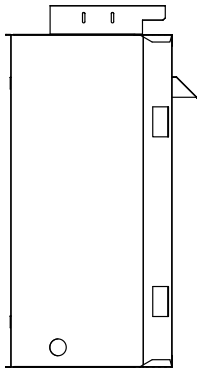
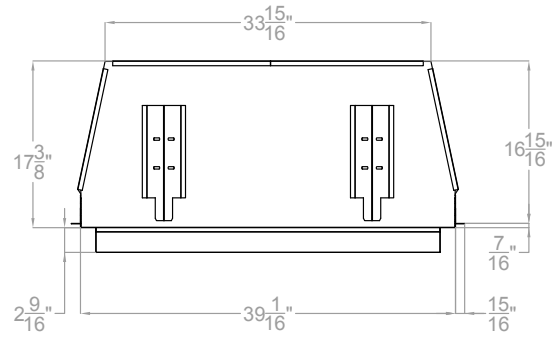
TECHNICAL INFORMATION

- Weight: 104 lbs.
- 36,000 BTU (LP, Nat)
- Ignition System: Intermittent Pilot, Millivolt, Thermostat

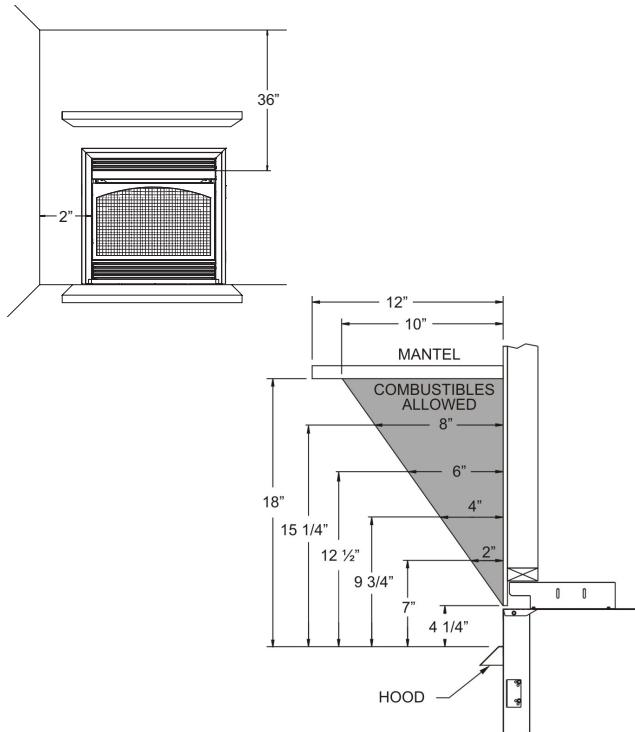
FIELD INSTALLED ACCESSORIES

- Log Sets: 5-piece Ceramic Fiber, 6-piece Refractory Sassafras
- Liners: Aged Brick, Stacked Limestone
- Blower
- Ember Kit
- Outer Steel Frame: Hammered Pewter
- Outer Aluminum Frame: Hammered Pewter, Matte Black
- Decorative Louvers: Arch or Mission in Hammered Pewter or Matte Black
- Decorative Doors: Mission Arch or Arch in Hammered Pewter or Matte Black
- Control Options
- Standard or Corner Mantel

VFP36BP



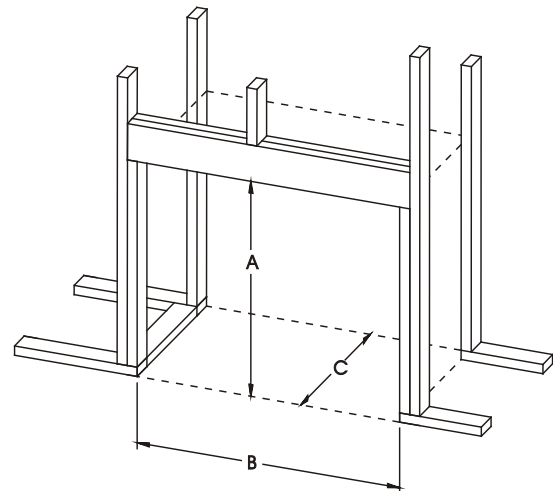
Clearance to Combustibles



Rough Opening for Installing in Wall

Framing Dimensions (in inches)

Height (A)	38 1/4
Width (B)	39 1/2
Depth (C)	17 7/8



Empire is committed to continuous product improvement; specifications are subject to change without notice. Dimensions in this brochure are approximate; read and follow the framing dimensions in the owners manual supplied with your Empire product. Flame size, shape, and color will vary from photos. Our mantels feature natural veneers and hand-rubbed finishes – wood grain and color will vary. Adjust light levels and use "natural light" incandescent bulbs to enhance the dramatic look for your wooden mantel.

Member of the following industry associations:



This appliance is design-certified to the ANSI standard by:



SINCE 1932

Empire Comfort Systems Inc.

918 Freeburg Ave.

Belleville, IL 62220-2623

info@empirecomfort.com

01/18

The Empire Comfort Systems and White Mountain Hearth names and logos are registered U.S. trademarks.