



# VENT-FREE FIREBOX

## Breckenridge Deluxe VFD36FB

### Spec Sheet



#### ACTUAL DIMENSIONS

40" W x 35" H x 19" D

#### INCLUDES

- Junction Box
- Standard Hood
- VFD36FB2MF/VFD36FB2ML comes with Refractory Liner

#### REQUIRES

- Burner
- Log Set
- Extended Hoods for installation where the firebox surround materials are thicker than 1-inch
- Mantel requires 3-piece Outer Frame Kit

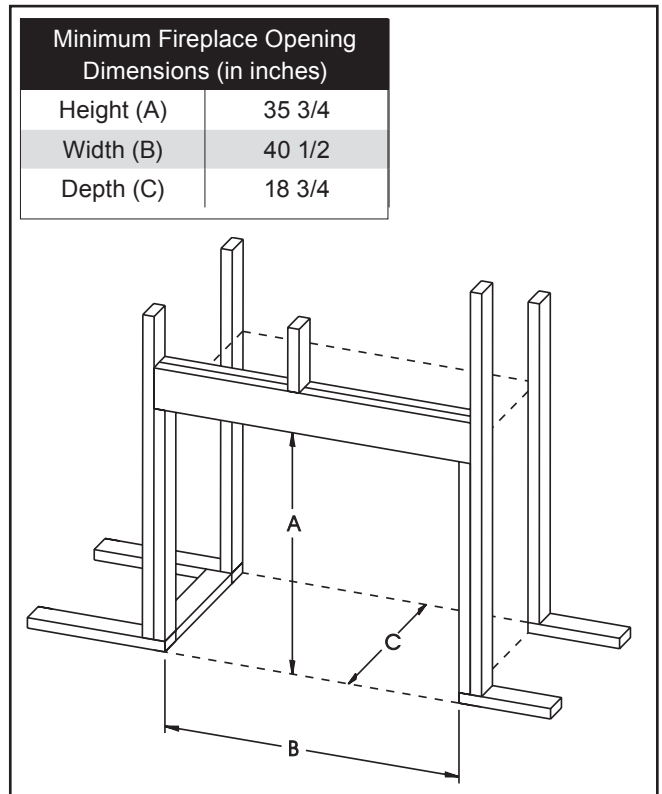
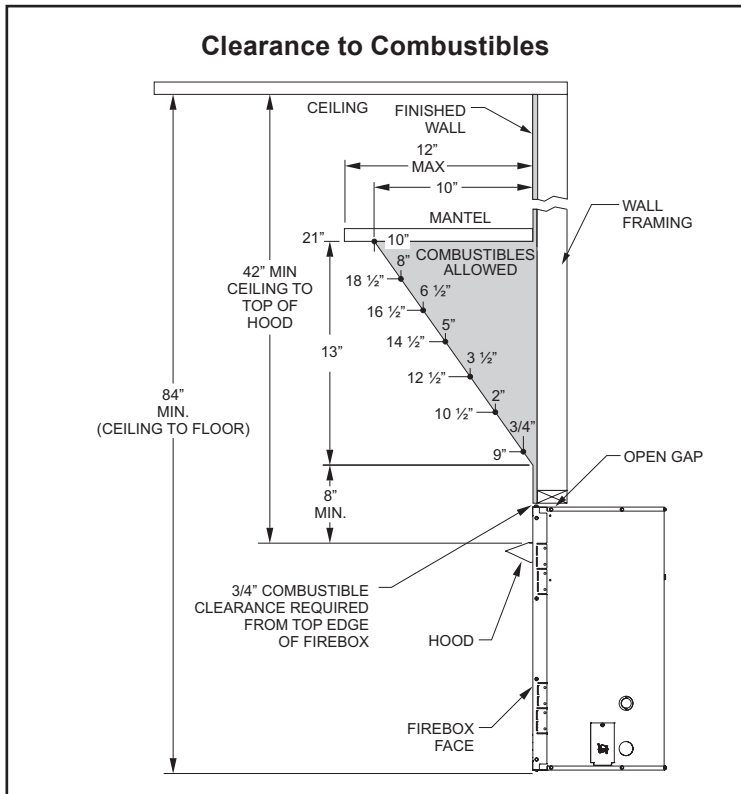
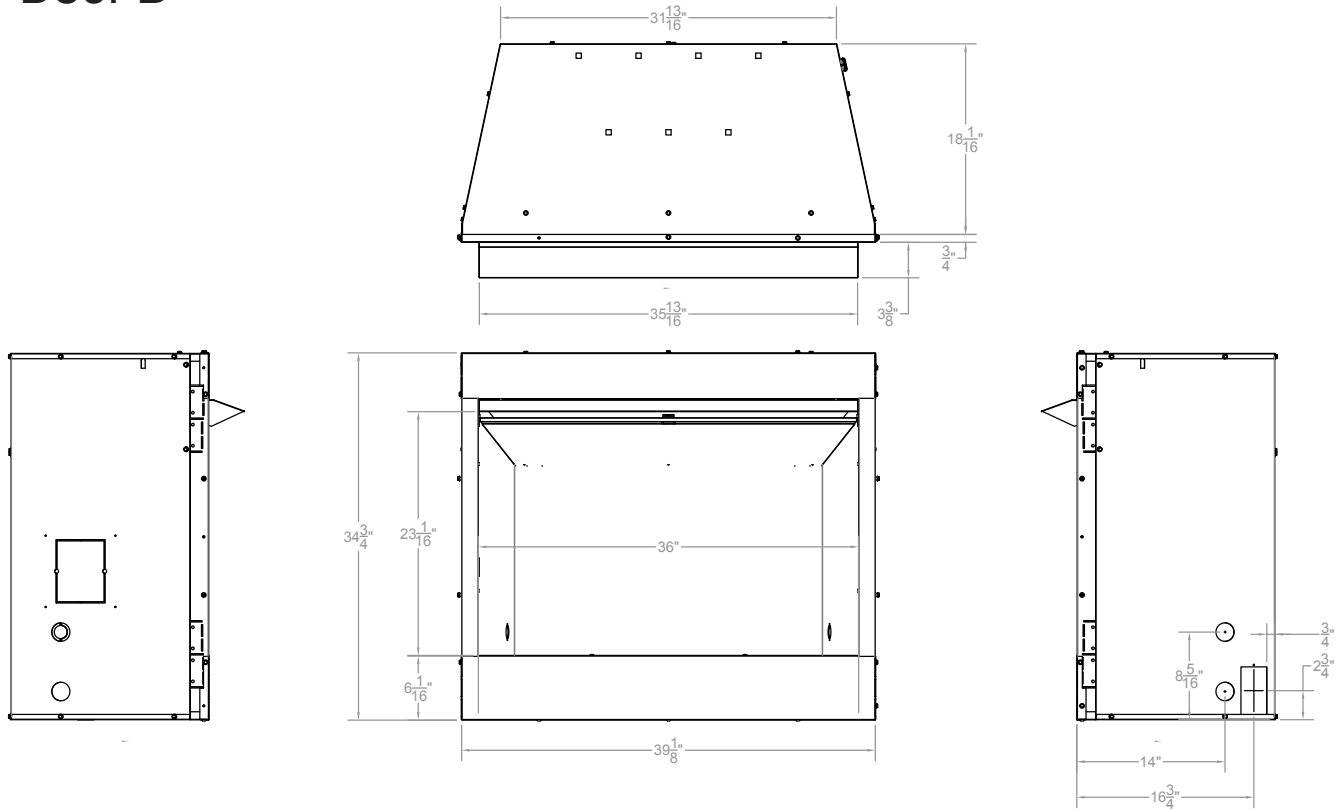
#### TECHNICAL INFORMATION

- Weight: 150 lbs.
- Flush Front or Louver

#### FIELD INSTALLED ACCESSORIES

- Ember Kit
- Blower
- Fresh Air Kit
- Liners: Aged Brick, Banded Brick, Black Porcelain, Stacked Limestone, Stainless Steel, and Traditional Brick
- Decorative Hood: Hammered Pewter, Matte Black, Stainless Steel,
- Decorative Louvers (for Louvered Fireboxes): Mission or Arch (Hammered Pewter or Matte Black)
- Decorative Arch Door Set: Mission Arch or regular Arch in Hammered Pewter or Matte Black
- Outer Steel Frame, Hammered Pewter or Matte Black
- Standard or Corner Mantel

# VFD36FB



Empire is committed to continuous product improvement; specifications are subject to change without notice. Dimensions in this brochure are approximate; read and follow the framing dimensions in the owners manual supplied with your Empire product. Flame size, shape, and color will vary from photos. Our mantels feature natural veneers and hand-rubbed finishes – wood grain and color will vary. Adjust light levels and use "natural light" incandescent bulbs to enhance the dramatic look for your wooden mantel.

Member of the following industry associations:



This appliance is design-certified to the ANSI standard by:



SINCE 1932

Empire Comfort Systems Inc.  
918 Freeburg Ave.  
Belleville, IL 62220-2623  
info@empirecomfort.com  
01/18

The Empire Comfort Systems and White Mountain Hearth names and logos are registered U.S. trademarks.