



OUTDOOR FIREBOX

Outdoor Premium OP42FB

Spec Sheet



ACTUAL DIMENSIONS

44" W x 35 1/16" H x 19" D

INCLUDES

- Stainless Steel Hood
- Mesh Curtain
- Flush Front
- Refractory Liner

REQUIRES

- Burner and Log Set

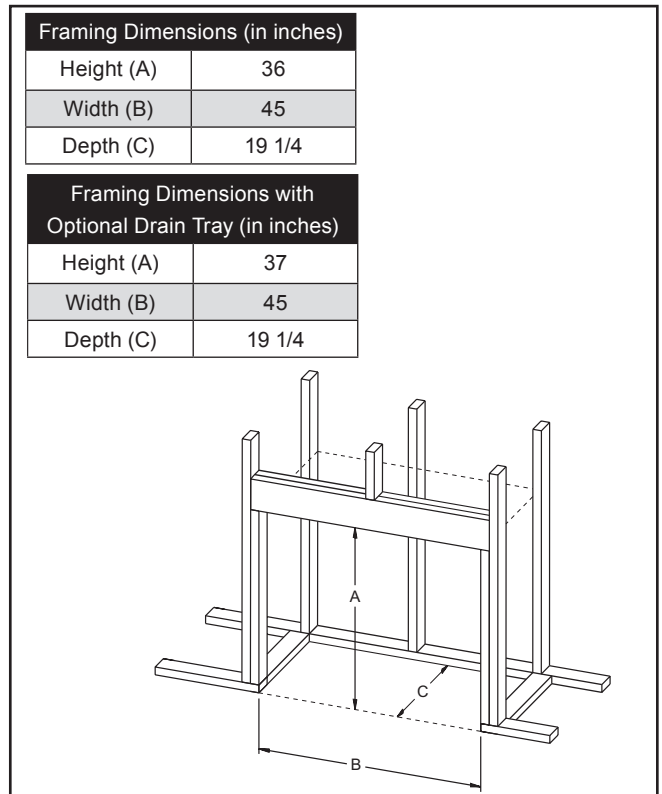
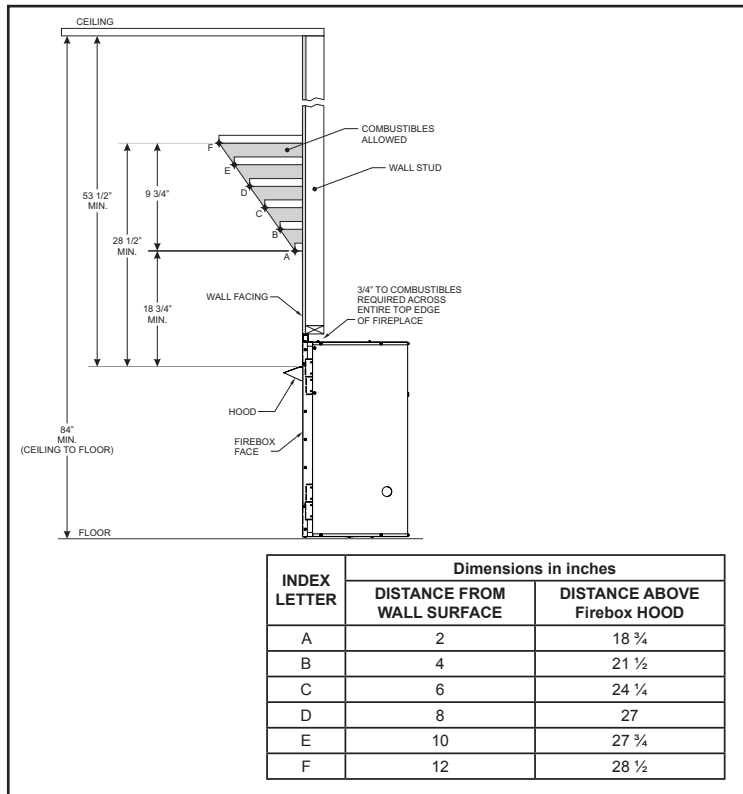
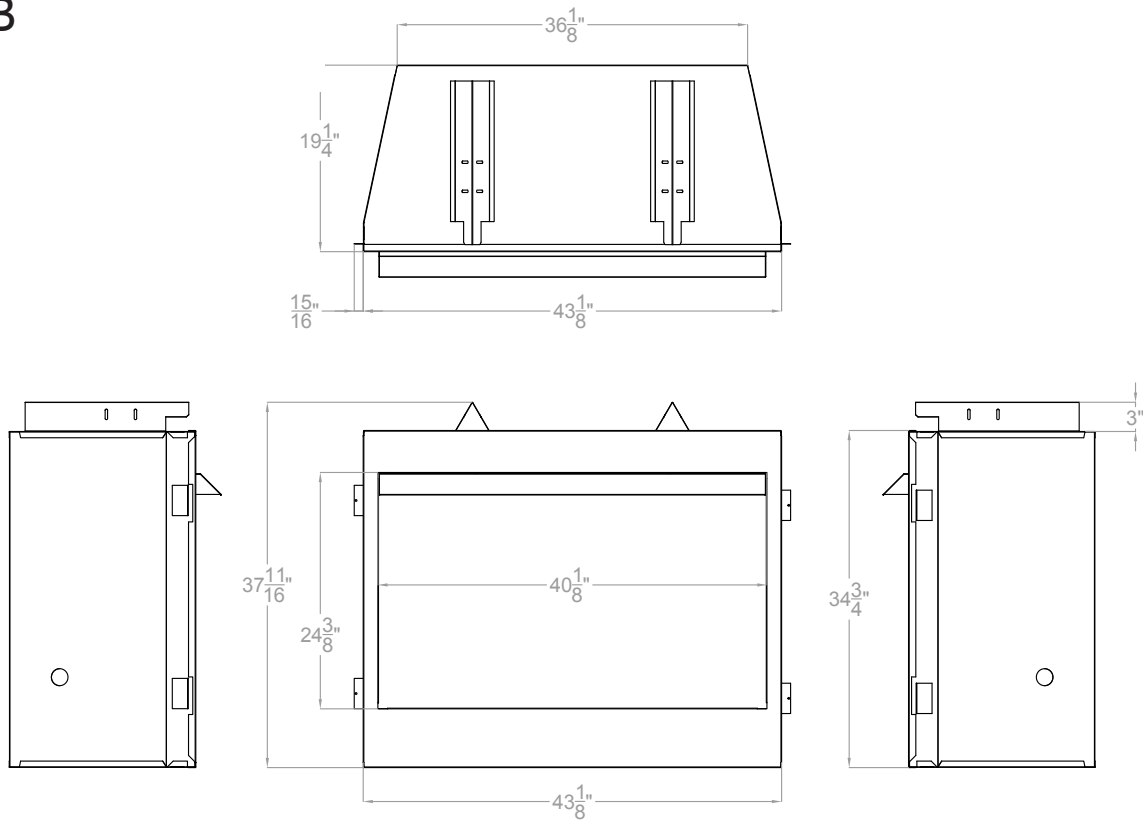
TECHNICAL INFORMATION

- Weight: 160 lbs.

FIELD INSTALLED ACCESSORIES

- Bi-Fold Glass Door, 42-inch Stainless Steel
- Drain Tray, 42-inch Stainless Steel
- Weather Door, 42-inch Stainless Steel

OP42FB



Empire is committed to continuous product improvement; specifications are subject to change without notice. Dimensions in this brochure are approximate; read and follow the framing dimensions in the owners manual supplied with your Empire product. Flame size, shape, and color will vary from photos. Our mantels feature natural veneers and hand-rubbed finishes – wood grain and color will vary. Adjust light levels and use "natural light" incandescent bulbs to enhance the dramatic look for your wooden mantel.

Member of the following industry associations:



This appliance is design-certified to the ANSI standard by:



SINCE 1932

Empire Comfort Systems Inc.
918 Freeburg Ave.
Belleville, IL 62220-2623
info@empirecomfort.com
01/18