



OUTDOOR FIRE PIT

Outdoor Linear OL60TP

Spec Sheet



ACTUAL DIMENSIONS

65" W x 7 3/8" H x 23 7/8" D

INCLUDES

- Manual Electronic Ignition with AA battery
- 3-Stage Manually Variable Flame
- OL60TP18 includes Multi-color LED Lighting

REQUIRES

- Decorative Crushed Glass

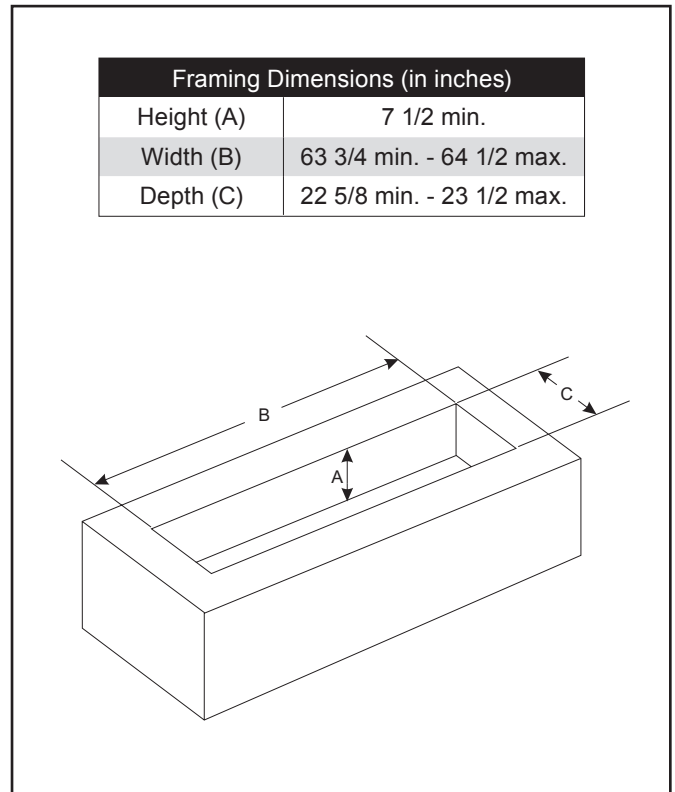
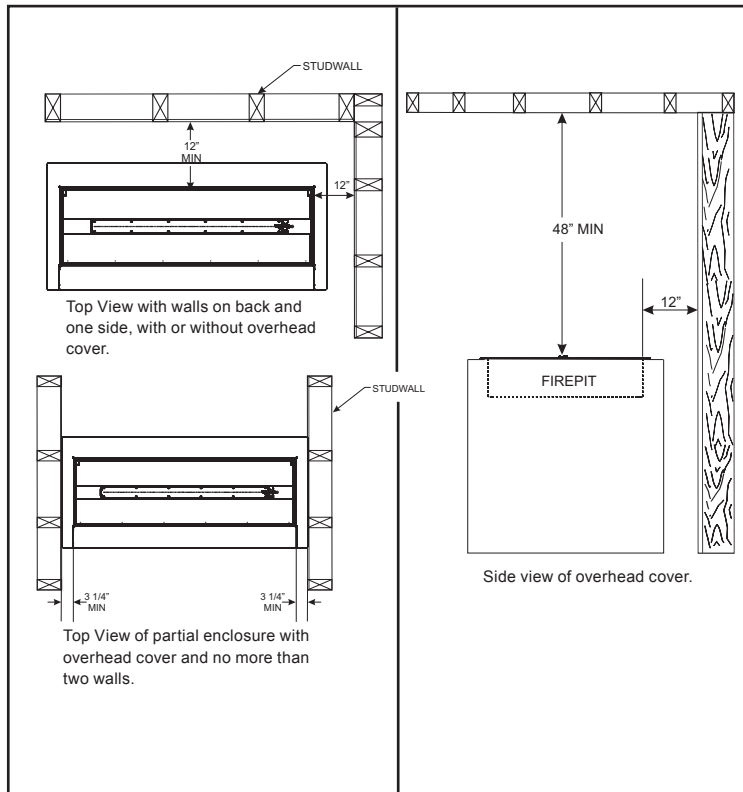
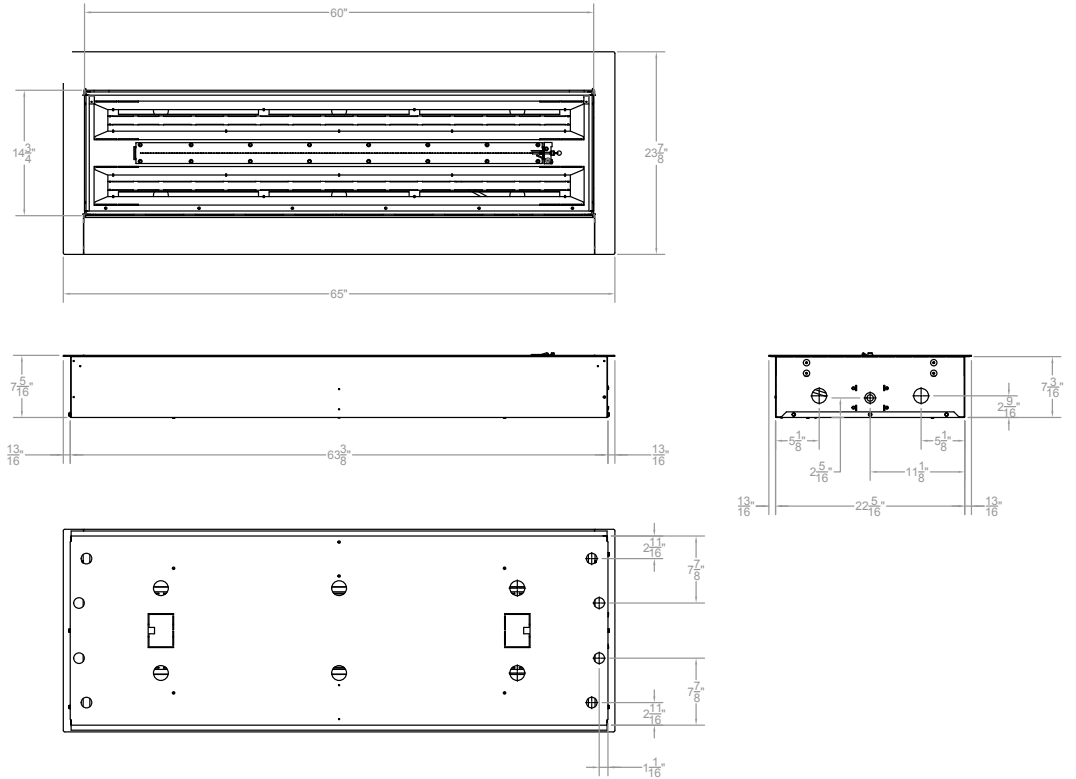
TECHNICAL INFORMATION

- Maximum heat output: 65,000 BTU (LP or Natural)
- Weight: 140 lbs.
- Clearances:
 - Side (Left & Right): 0"
 - Bottom: 0"
 - Front & Rear: 0"
- Type of Gas: LP or Natural
- Use 3/8-inch male flare connection

FIELD INSTALLED ACCESSORIES

- Stainless Steel Tilt-out LP Tank Door
- Stainless Steel register kit (2 registers for island ventilation)
- Stainless Steel Drain Tray
- Weather Door
- Wind Deflector Glass
- Decorative Media

OL60TP



Empire is committed to continuous product improvement; specifications are subject to change without notice. Dimensions in this brochure are approximate; read and follow the framing dimensions in the owners manual supplied with your Empire product. Flame size, shape, and color will vary from photos. Our mantels feature natural veneers and hand-rubbed finishes – wood grain and color will vary. Adjust light levels and use "natural light" incandescent bulbs to enhance the dramatic look for your wooden mantel.



SINCE 1932

Empire Comfort Systems Inc.
918 Freeburg Ave.
Belleville, IL 62220-2623
info@empirecomfort.com
01/18

Member of the following industry associations:



This appliance is design-certified to the ANSI standard by:



The Empire Comfort Systems and White Mountain Hearth names and logos are registered U.S. trademarks.