



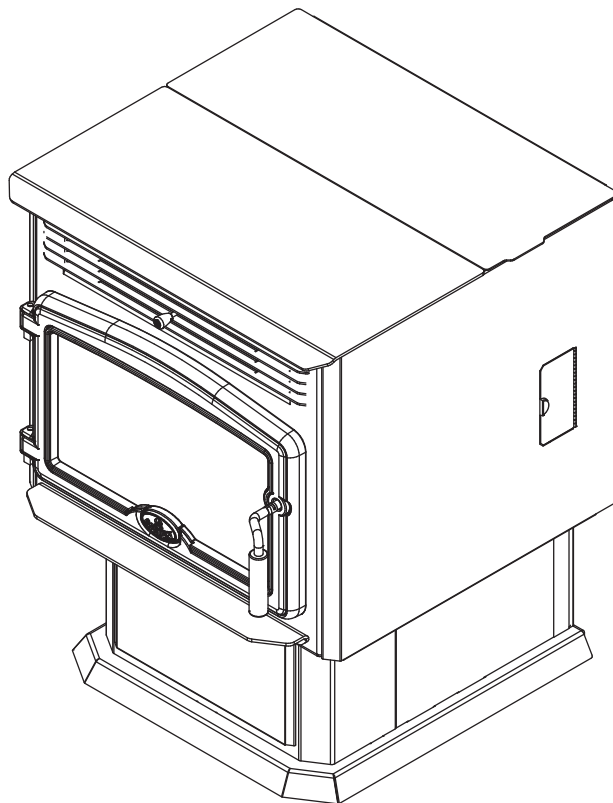
BEYOND  
fire



# Installation Manual

## 2500

(OP0025 model)



Safety tested according to ULC S627,  
UL 1482 and ASTM E1509 by an  
accredited laboratory.



**INSTALLATION BY A  
PROFESSIONAL IS STRONGLY  
RECOMMENDED**

CONTACT LOCAL BUILDING OR FIRE OFFICIALS ABOUT RESTRICTIONS AND INSTALLATION INSPECTION REQUIREMENTS IN LOCAL AREA.

READ THIS ENTIRE MANUAL BEFORE INSTALLATION AND USE OF THIS PELLET STOVE. FAILURE TO FOLLOW THESE INSTRUCTIONS COULD RESULT IN PROPERTY DAMAGE, BODILY INJURY OR EVEN DEATH.

**READ AND KEEP THIS MANUAL FOR REFERENCE**

---

## RECOMMENDATIONS

It is highly recommended that this appliance be **installed and serviced by professionals who are certified** in the United States by NFI (National Fireplace Institute® ) or in Canada by WETT (Wood Energy Technology Transfer) or in Quebec by APC (Association des Professionnels du Chauffage).

**If this appliance is not properly installed, combustible materials near it may overheat and catch fire.** To reduce the risk of fire, follow the installation instructions in this manual exactly. Contact local building or fire officials about restrictions and installation inspection requirements in local area. It is also recommended to inform your home insurance company.

It may be needed to get a building permit for the installation of this appliance and the venting system that it is connected to.

**Read this entire manual before installing this stove.**

---

## GENERAL INFORMATION

**This stove does not work with a natural draft or without power source** to activate the blowers and the pellet feeding system. The stove will not work in the event of a power outage.

This stove has been developed and built to be **used as a residential heater**. Commercial or industrial use is prohibited and will void the warranty.

The information given on the certification label affixed to the appliance always overrides the information published, in any other media (owner's manual, catalogues, flyers, magazines or web sites).

Mixing of appliance components from different sources or modifying components is prohibited and will void the warranty.

Any modification to the stove that has not been approved in writing by the testing authority is prohibited and violates CSA B365 (Canada), and ANSI NFPA 211 (USA).

Stove Builder International inc. (SBI) grants no warranty, implied or stated, for the poor installation or lack of maintenance of this appliance and assumes no responsibility of any consequential damages.

When locating this appliance, make sure the venting system will not interfere with any truss, roof beams, wall studs, water pipes or electrical wiring. It may be easier to relocate the appliance than to rework the building structure.

This stove is certified to comply with EPA NSPS 2015 particulate emission standards and is not approved for sale after May 15<sup>th</sup> 2020.

---

## AVAILABLE OPTIONS AND ACCESSORIES

- Hopper extension;
- Fresh air kit;
- Wall thermostat;
- Programmable thermostat;
- Glass hearth pad;

For more details, visit our web site [www.osburn-mfg.com](http://www.osburn-mfg.com) or refer to an authorized dealer.

# TABLE OF CONTENTS

Recommendations .....	2
General Information.....	2
Available Options and Accessories .....	3
Specifications .....	5
Performances .....	6
Dimensions .....	6
<b>Appliance Installation.....</b>	<b>7</b>
Safety Information .....	7
Regulations.....	7
Appliance Set Up .....	8
Clearances to Combustibles .....	10
Floor Protection.....	11
<b>Venting System.....</b>	<b>12</b>
General Information .....	12
Safety Information .....	12
Regulations.....	12
Equivalent Vent Length (EVL).....	13
<b>Termination Location.....</b>	<b>14</b>
Canada.....	14
United States .....	15
Direct Vent System .....	15
<i>Canada</i> .....	15
<i>United States</i> .....	15
<b>Venting System Installation Configuration .....</b>	<b>16</b>
Through the Wall .....	16
Through the Roof .....	17
Through a Factory Built Chimney.....	18
Through a Masonry Chimney.....	19
<b>Mobile and manufactured Home .....</b>	<b>20</b>
<b>Thermostat Installation .....</b>	<b>21</b>
Location .....	21
Electrical Connection.....	22
<b>Fresh Air Intake .....</b>	<b>23</b>
<b>Wiring Diagram.....</b>	<b>25</b>
<b>Exploded Views and Parts List.....</b>	<b>26</b>

## SPECIFICATIONS

Model	2500 (OP00025)
Recommended venting pipe diameter	3 in. or 4 in. depending on EVL <sup>1</sup> .
Flue outlet diameter	3 in. (80 mm)
Pellet venting standard	ULC/ORD-C441, CAN/ULC S609 UL 641 (TYPE L)
Approved for alcove installation	Yes
Approved for mobile home installation <sup>2</sup>	Yes
Shipping weight (without option)	286 lb (130 kg)
Appliance weight (without option)	253 lb (115 kg)
Particulate emission standard	EPA / CSA B415.1-10, ASTM E2779
USA standard (safety)	ASTM E1509, UL 1482
Canadian standard (safety)	ULC S627
Average electrical power consumption <sup>3</sup>	Voltage and Frequency 120VAC et 60 Hz Ignition : 2.60A Continuous operation : 2.50A
Fuses	Main: 8A - 250V slow blow Convection blower: 5A - 250V slow blow Combustion blower: 5A - 250V slow blow Exhaust blower: 5A - 250V slow blow Auger motor #1: 3A - 250V slow blow Igniter: 8A - 250V slow blow

<sup>1</sup> See section « [Venting - Equivalent Vent Length](#) ».

<sup>2</sup> Mobile home (Canada) or manufactured home (USA): The US Department of Housing and Urban Development describes “manufactured homes” better known as “mobile homes” as followed; buildings built on fixed wheels and those transported on temporary wheels/axles and set on a permanent foundation. In Canada, a mobile home is a dwelling for which the manufacture and assembly of each component is completed or substantially completed prior to being moved to a site for installation on a foundation and connection to service facilities and which conforms to the CAN/CSA-Z240 MH standard.

<sup>3</sup> Unless stated otherwise, measures were taken directly at the main power source and include all electrical components present in the appliance

# PERFORMANCES

Values are as measured per test method. Results may vary depending on pellet quality, density, length, and diameter.

Fuel type	Wood Pellet (Premium grade or better) <sup>1</sup>	
Maximum heat input rate <sup>2</sup>	39,260 BTU/h (11.5 kW)	
Overall heat output rate (min. to max.) <sup>3</sup>	6,648 BTU/h to 28,540 BTU/h (1.95 kW to 8.36 kW)	
Average overall efficiency <sup>3</sup>	70.3 % (HHV) <sup>4</sup>	75.8 % (LHV) <sup>5</sup>
Optimum efficiency <sup>6</sup>	78.4 %	
Burn rate	1.2 lb/h to 4.7 lb/h (0.54 kg/h to 2.14 kg/h)	
Average particulate emissions rate <sup>7</sup>	0.96 g/h (EPA / CSA B415.1-10)	
Average CO <sup>8</sup>	7.6 g/h	

<sup>1</sup> Grades of pellet fuel are determined by organizations such as Pellet Fuels Institute (PFI), ENplus and CANplus.

<sup>2</sup> Based on the maximum burn-rate and a dry energy value of pellet at 8,600 BTU/lb.

<sup>3</sup> As measured per CSA B415.1-10 stack loss method.

<sup>4</sup> Higher Heating Value of the fuel.

<sup>5</sup> Lower Heating Value of the fuel.

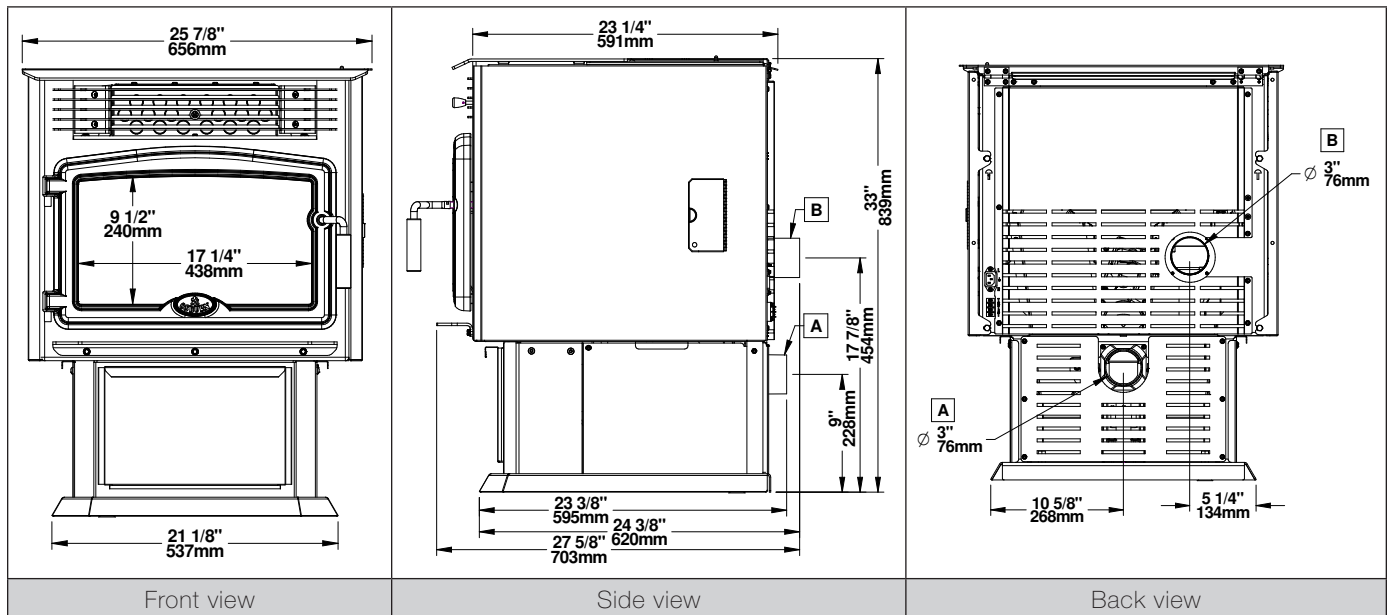
<sup>6</sup> Optimum overall efficiency at a specific burn rate (LHV).

<sup>7</sup> This appliance is officially tested and certified by an independent agency

<sup>8</sup> Carbon monoxide.

ENGLISH

# DIMENSIONS



A	FRESH AIR INLET
B	FLUE OUTLET

# APPLIANCE INSTALLATION

## Safety Information

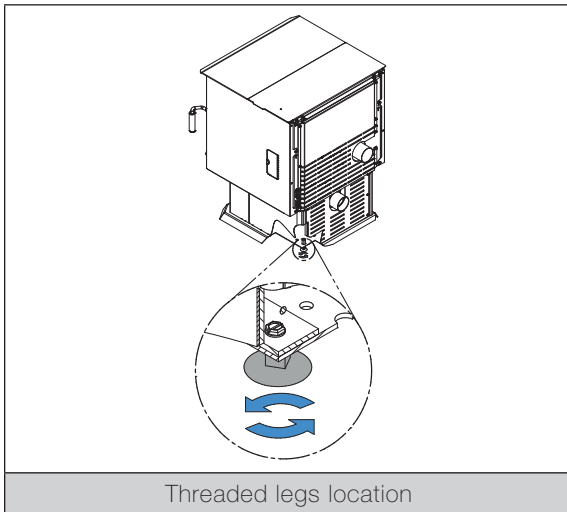
- If this stove is not properly installed, a house fire or smoke spillage may result. To reduce the risks, follow the installation instructions.
- Do not use makeshift materials or make any compromises when installing this appliance.
- This stove is **mobile home approved** and in these cases requires installation of a fresh air kit, sold separately. The stove must be attached to the structure of the mobile home and the structural integrity of the mobile home floor, wall, and ceiling / roof must be maintained. Do not install in a sleeping room of a mobile home.
- This stove must be connected to a standard 120V / 60Hz, grounded electrical outlet. **Do not use an outlet adapter, an extension cord or sever the grounding plug.** Do not route the electrical cord underneath, in front or over the stove.
- This stove is not recommended to be installed in a bedroom.
- Burning any solid fuels generates carbon monoxide in low concentration. This gas is evacuated by the exhaust venting system. In higher concentrations, **carbon monoxide is toxic and may cause death.** To prevent this, ensure that the **exhaust venting system is airtight and installed properly.**
- A smoke detector, a carbon monoxide detector and a fire extinguisher should be installed in the house. The location of the fire extinguisher should be known by all family members.

## Regulations

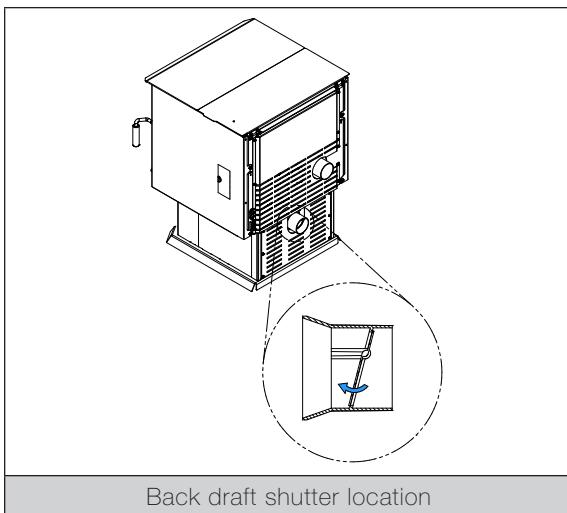
- When installed and operated as described in these instructions, this pellet stove is suitable for use as a freestanding heater in residential installations.
- In Canada, the CSA B365 Installation Code for Solid Fuel Burning Appliances and Equipment and the CSA C22.1 Canadian National Electrical Code are to be followed in the absence of local code requirements.
- In the USA, the ANSI NFPA 211 Standard for Chimneys, Fireplaces, Vents and Solid Fuel-Burning Appliances and the ANSI NFPA 70 National Electrical Code are to be followed in the absence of local code requirements.
- This stove must be connected to a pellet venting system complying with the requirements for Pellet Vent UL 103, UL 641, ULC S629M, CAN/ULC S609 and ULC/ORD C441 standards or to a code-approved masonry chimney with a stainless steel flue liner.

## Appliance Set Up

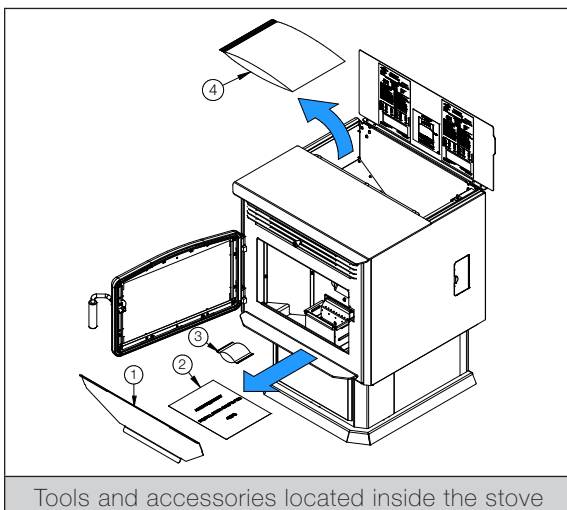
- Read and follow appliance and venting manufacturer’s instructions;
- Remove appliance and accessories from packaging. Make sure no parts are missing or damaged;
- Level the stove using threaded legs, located under the stove;



- Make sure the fresh air intake back draft shutter opens and closes freely;



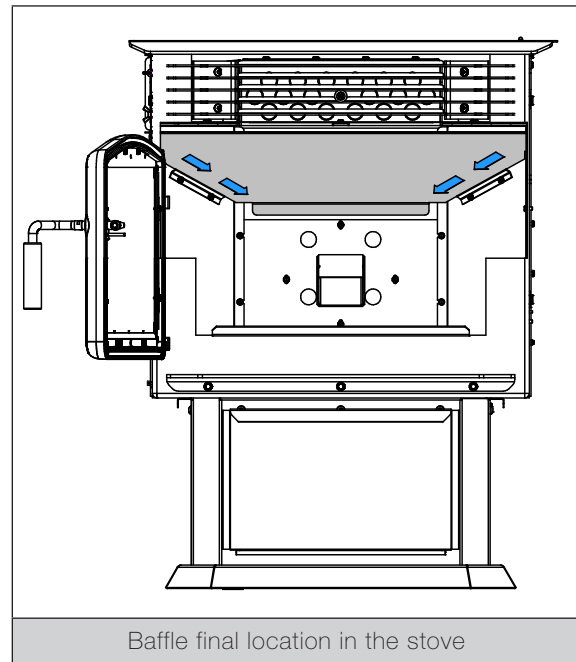
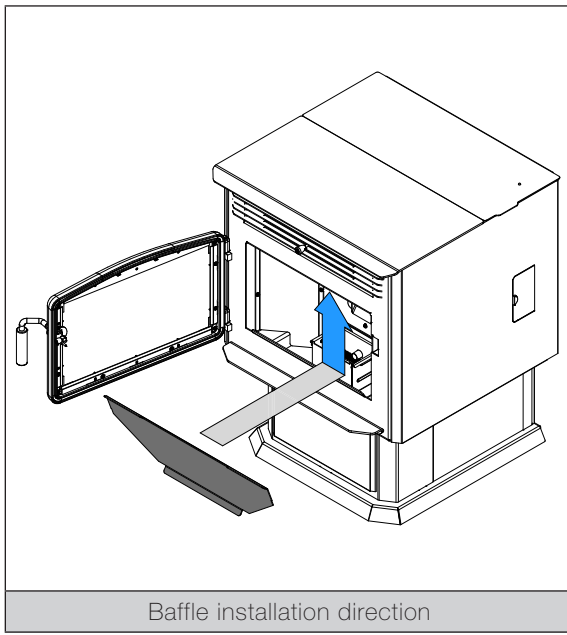
- Remove tools and other accessories inside the stove;



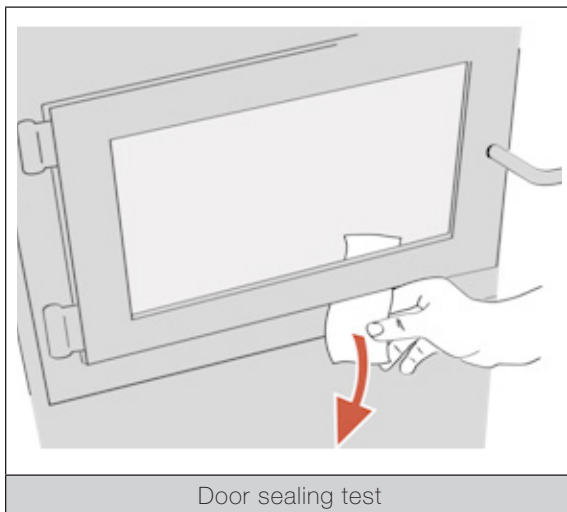
No	Tools / Accessories
1	Baffle
2	Warning sheet
3	Humidity absorbant
4	Owner’s manual



- Install baffle as shown below



- Test the door seal by closing and latching the door on a strip of paper. Test all around the door. The paper should not slip out easily. If it does, see the «adjusting the door» section in the operation manual.



## Clearances to Combustibles

Material is considered to be combustible when it is made of, or plated with wood, compressed paper, plant fibers, plastics or any other materials that can ignite and burn, whether or not it is fire resistant, or plastered or not.

The clearances shown in this section have been determined by tests according to procedures set out in safety standards ULC S627 (Canada), ASTM E1509 and UL 1482 (United States). When the pellet stove is installed so that its surfaces are at, or beyond the minimum clearances specified, combustible surfaces will not overheat under normal and even abnormal operating conditions.

**NO PART OF THE STOVE MAY BE LOCATED CLOSER TO COMBUSTIBLES THAN THE MINIMUM CLEARANCES SPECIFIED ON THE CERTIFICATION LABEL.**

ENGLISH

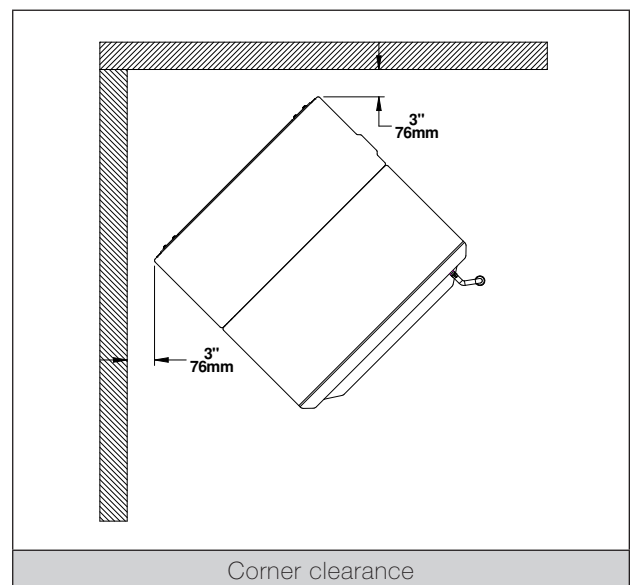
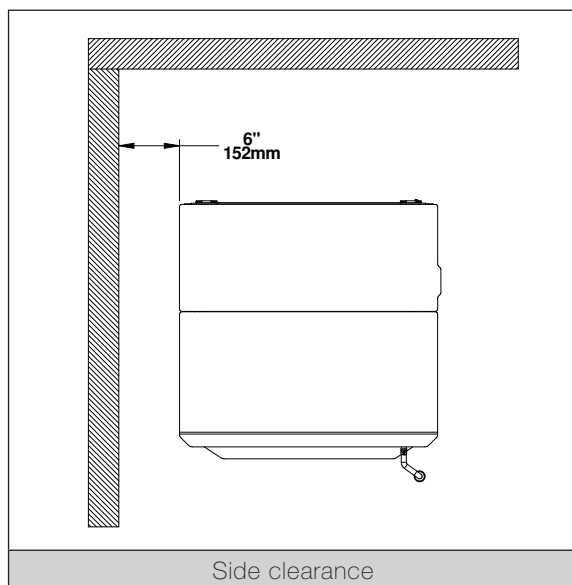
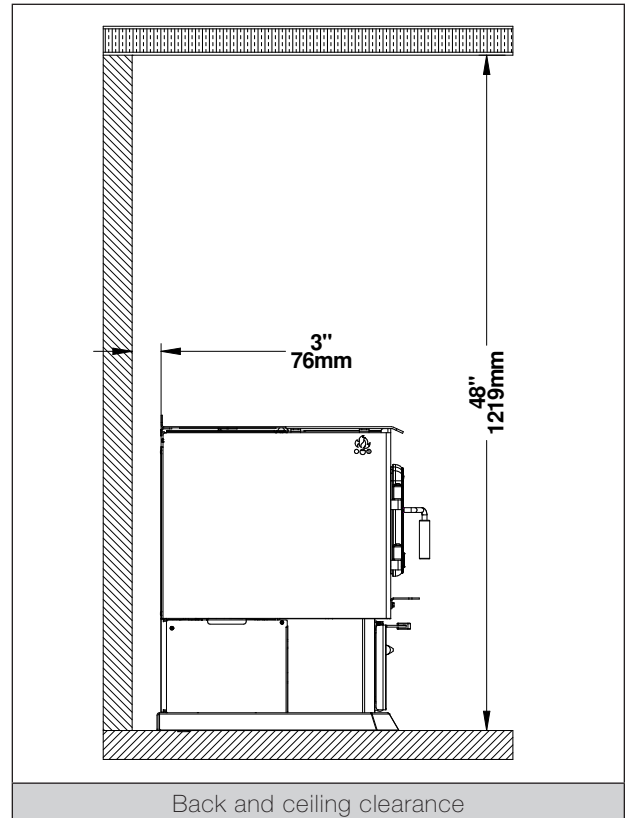
Clearances may only be reduced by means approved by the regulatory authority having jurisdiction.

The following clearances are also valid for an alcove installation. However, if the stove is installed in an alcove, to perform maintenance, expect to move the appliance to get to the maintenance access doors and components. For more information about alcove installation visit our web site.

All clearances to combustibles apply for Canada and United States.

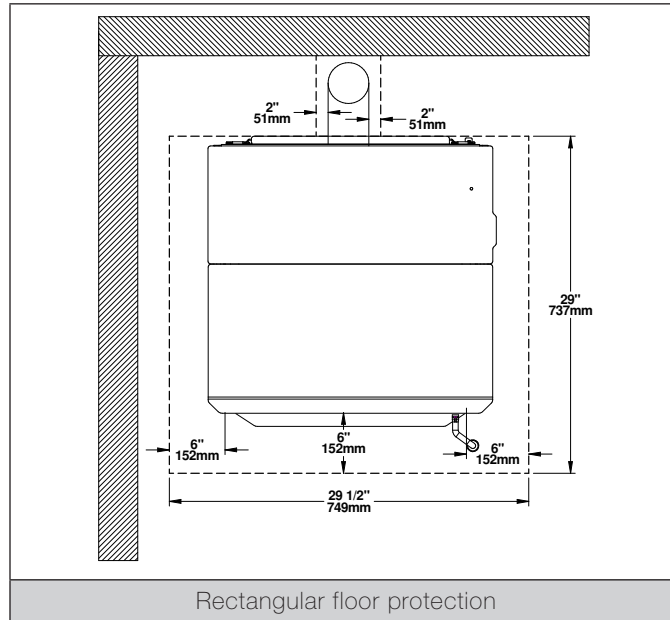
*Please note that the clearances mentioned are the minimum required to ensure a safe installation. A distance of 24" on each side of the appliance and 12" at the back is recommended to provide easy access.*

*Refer to exhaust venting system manufacturer for clearances to combustible materials.*



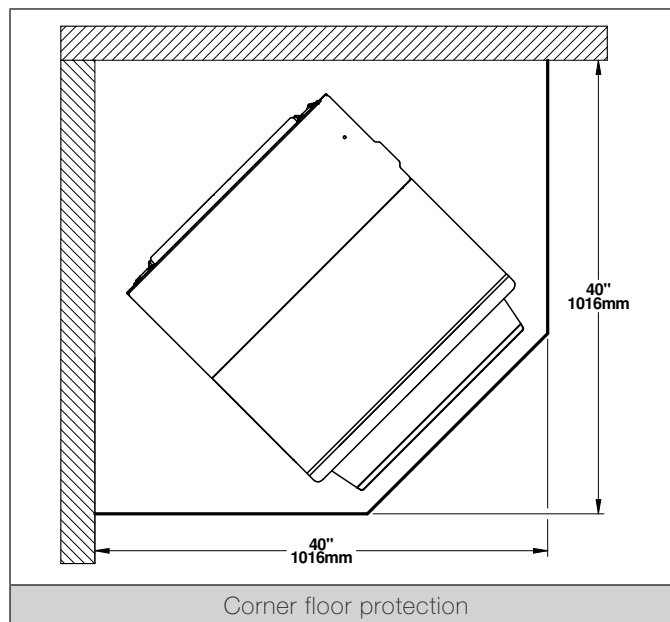
## Floor Protection

The floor protection must be a continuous (grouted joints) non combustible material such as ceramic tile, cement board, brick, or any other approved or listed material suited for floor protection. Any type of tile will require a continuous non combustible sheet beneath to prevent the possibility of embers falling through to the combustible floor if cracks or separation should occur in the finished surface. Check local codes for approved alternatives.



Floor protection must extend at least 6" (152 mm) in front of the loading door opening and 6" (152 mm) on each side of the loading door. It must also extend at least 2" beyond each side of any horizontal venting pipe.

The minimum floor protection area required for this stove is 29 1/2" x 29" for a rectangular installation and 40" x 40" for a corner installation.



*Note: In Canada, the dimensions of the floor protection shown in the previous image can be used ONLY if opening the appliance door or removing the ash drawer is done when the appliance is OFF completely, meaning there is no more fire in the combustion pot and the blowers are off. In all other cases, see CSA B365.*

# VENTING SYSTEM

## General Information

Even though the chimney draft is mechanical, a suitable venting system will ensure a natural draft which will prevent smoke spillage in the home if a power outage occurs. Moreover, a suitable venting system configuration will help getting the best efficiency out of the stove when installed in accordance with the required equivalent vent length (EVL).

This stove is equipped with a blower that draws air for combustion. The venting system restricts the blower's ability to move the amount of air required for proper combustion. An overly restrictive venting system will cause incomplete combustion problems, more frequent cleaning and poor performance.

It is recommended to select a location for the appliance that will provide a venting system with the shortest possible equivalent vent length (EVL).

The installation configurations in the following sections are for informative purposes only. Always refer to the vent manufacturer's instructions for installation.

## Safety Information

Connect this stove only to a listed pellet exhaust venting system for use with solid fuel or to a lined chimney conforming to national and local building codes.

**DO NOT CONNECT THIS STOVE TO ANY OTHER EXISTING VENTING SYSTEM SERVING ANOTHER APPLIANCE.**

The venting system must be completely airtight and properly installed. **All vent connector joints must be sealed and fastened** in accordance with the pellet venting manufacturer's installation instructions to ensure consistent performance and avoid smoke and ash spillage.

**DO NOT INSTALL A FLUE DAMPER IN THE VENTING SYSTEM OF THIS UNIT.**

**DO NOT CONNECT TO OR USE IN CONJUNCTION WITH ANY AIR DISTRIBUTION DUCTWORK.**

The venting system should be checked, at least twice a year for any buildup of soot or creosote.

## Regulations

In Canada, it is recommended to use a listed pellet vent that meets the CAN/ULC S609 or ULC/ORD C441 Standard. A chimney listed to ULC S629M is also suitable for installation with this stove.

For the United States, it is recommended to use a listed pellet vent that meets the UL 641 Standard. A chimney listed to UL 103 is also suitable for installation with this stove.

This stove can be vented in an existing factory-built or masonry chimney with the addition of a stainless steel liner. The liner should be listed and should meet the ULC S635 CAN/ULC S640 standard in Canada and the UL 1777 standard in the USA. Refer to the instructions provided by the venting system manufacturer, especially when passing through a wall, ceiling or roof.

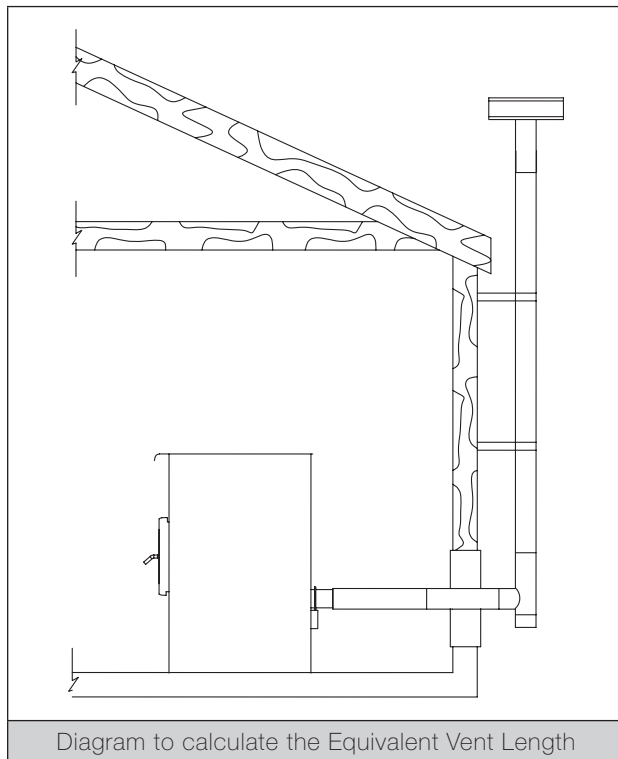
## Equivalent Vent Length (EVL)

Recommended venting pipe inner diameter is 3" for a ground floor installation. A 4" pipe is recommended for basement installation or if the equivalent vent length (EVL) is more than 15 feet.

To calculate the Equivalent Vent Length, refer to the following table:

Qty	Type of pipe	Equivalent Vent Length (EVL)
1	90° Elbow or T	5 feet
1	45° Elbow	3 feet
1 feet	Horizontal Pipe	1 feet
1 feet	Vertical Pipe	½ feet

Example of how to calculate the EVL for a ground floor installation:



2 ft. of horizontal run (2 X 1' EVL)	= 2' EVL
90° elbow or T (1 X 5' EVL)	= 5' EVL
12 ft. of vertical run (12 X 0.5' EVL)	= 6' EVL
Termination / Cap	= 0' EVL
<hr/>	
Total EVL	= 13' EVL

Since the EVL is less than 15 feet, the venting pipe inner diameter recommended is 3".

*Never exceed 30 feet of EVL.*

*Horizontal runs shall not exceed 9 feet.*

*To reduce the risk of smoke spillage there should always be at least one foot of vertical rise for each foot of horizontal run.*

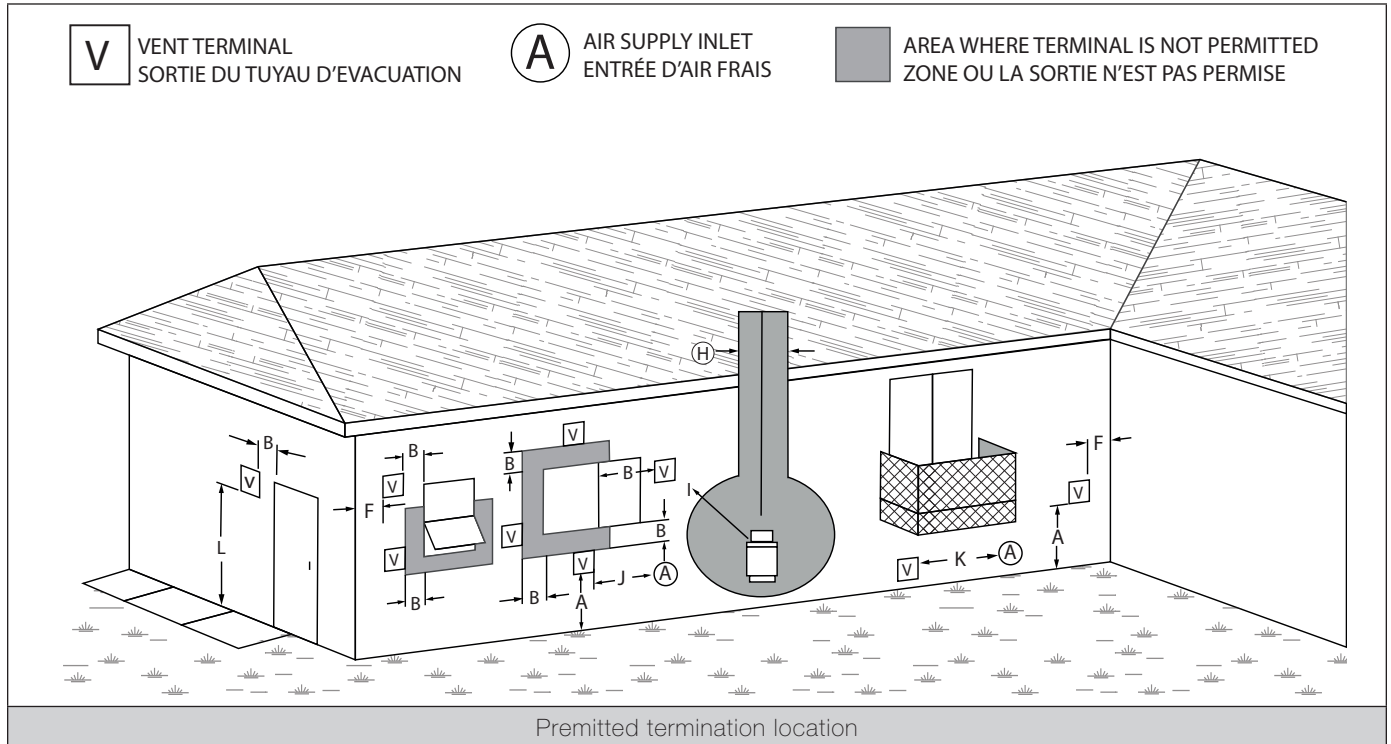
**AT ALL TIMES, AT LEAST 3 FEET OF VERTICAL RISE IS NEEDED.**

## TERMINATION LOCATION

Refer to NFPA 211 (USA) or CSA B365 (Canada) to find out more about the required distance of termination location from windows and openings. The termination of a mechanical draft system, other than a direct vent appliance, shall be located in accordance with the following:

*Termination of a side wall vent should be located to avoid personal burn injury, fire hazard and interference with or damage to adjacent properties. Exhaust gases can reach temperatures of 500°F (260°C) and cause serious burns.*

*A vent shall not terminate underneath a veranda, porch, or deck and shall not terminate directly above a sidewalk or a paved driveway which is located between two single family dwelling and serves both dwellings.*



### Canada

	CLEARANCES	DESCRIPTION
A	12" (30 cm)	Clearances above grade level or any adjacent surface that might support snow, ice, or debris.
B	39" (100 cm)	Clearance to window or door that may be opened.
F	39" (100 cm)	Clearance to corner or adjacent wall or any combustible materials.
H	39" (100 cm)	Not to be installed above a meter/regulator assembly within 39" (100 cm) horizontally from the vertical center-line of the regulator and for 15' vertically.
I	72" (183 cm)	Clearance to gas service regulator vent outlet or within 39" (100 cm) of an oil tank vent or an oil tank fill inlet.
J	39" (100 cm)	Clearance to the combustion air inlet to any other appliance.
K	72" (183 cm)	Clearance to a mechanical air supply inlet.
L	84" (213 cm)	Clearance above paved side-walk or a paved driveway located on public property.
	39" (100 cm)	Clearance to property boundary.

## United States

CLEARANCES	DESCRIPTION
36" (91 cm)	Clearance above any forced air inlet located within 120" (305 cm).
48" (122 cm)	Clearance below and horizontally from any door, window or gravity air inlet into any building.
12" (30 cm)	Clearance above any door, window or gravity air inlet into any building.
24" (61 cm)	Clearance from an adjacent building.
84" (213 cm)	Clearance above grade when located adjacent to a public walkway.
12" (30 cm)	Clearance above grade.
36" (91 cm)	Termination cannot be located above a gas meter/regulator within 36" (91cm) horizontally of the vertical center line of the regulator.
72" (183 cm)	Clearance of a gas service regulator vent outlet.

### Direct Vent System

An exhaust system is called direct when the exhaust and the air intake are made using the same pipe. The internal pipe serves for exhaust while the external pipe supplies the combustion air to the stove.

#### *Canada*

The permitted termination locations for a direct vent system are the same as those permitted with a regular pellet vent system.

#### *United States*

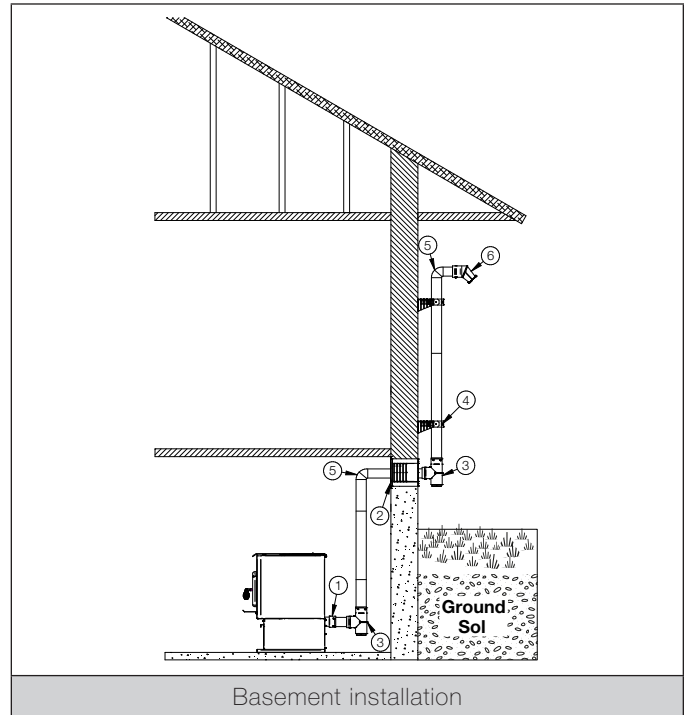
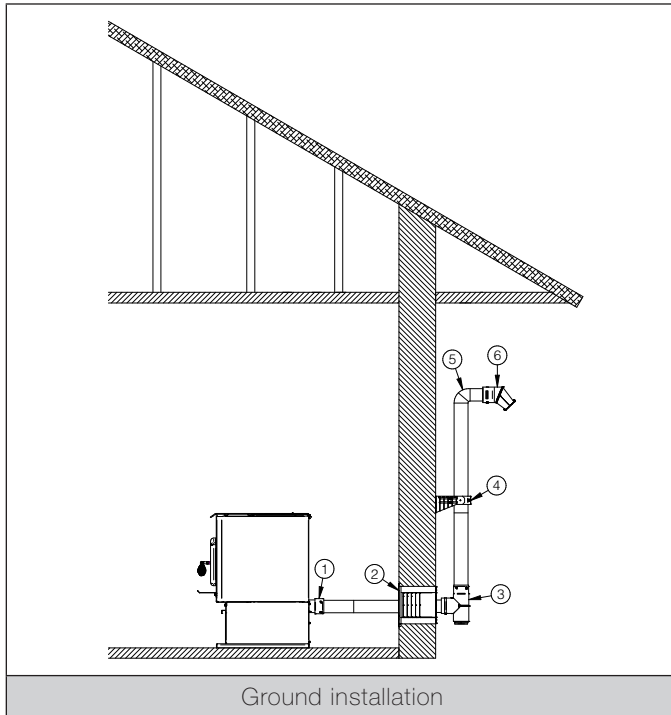
The permitted termination location for a direct vent system are the same as those permitted with a regular pellet vent system except for the following : The termination shall be located not less than 9" (23 cm) from any opening through which vent gases could enter a building.

## VENTING SYSTEM INSTALLATION CONFIGURATION



Burning solid fuels generates carbon monoxide in low concentration. In higher concentrations, **carbon monoxide is toxic and may cause death**. To prevent this, the **exhaust venting system must be airtight**. All vent connector joints must be sealed and fastened in accordance with the pellet venting manufacturer's installation instructions.

### Through the Wall



1. Position appliance following appliance and venting system manufacturer's installation instructions.
2. Install a stove connector **(1)** or tee on the appliance flue collar. Seal with high temperature silicone. If necessary, use an additional horizontal length between the flue collar and the tee.
3. Locate the position of the pipe in the wall and cut a hole in the wall the appropriate size for the wall thimble.
4. Install the wall thimble **(2)** according to the vent manufacturer's instructions.
5. Connect enough sections to protrude the horizontal pipe from the outside wall. Install a tee **(3)** on the pipe that runs through the wall.
6. Install a vertical pipe section that is at least 36" long. Refer to vent manufacturer's instructions for clearances to combustible materials (exterior wall) and use of wall supports **(4)**.
7. Install a 90 degree elbow **(5)** facing out from the wall, and then attach a stainless steel vent cap **(6)**, facing towards the ground (a 45 degree elbow or a horizontal vent cap may be used). A spark arrester must be attached to the vent cap.

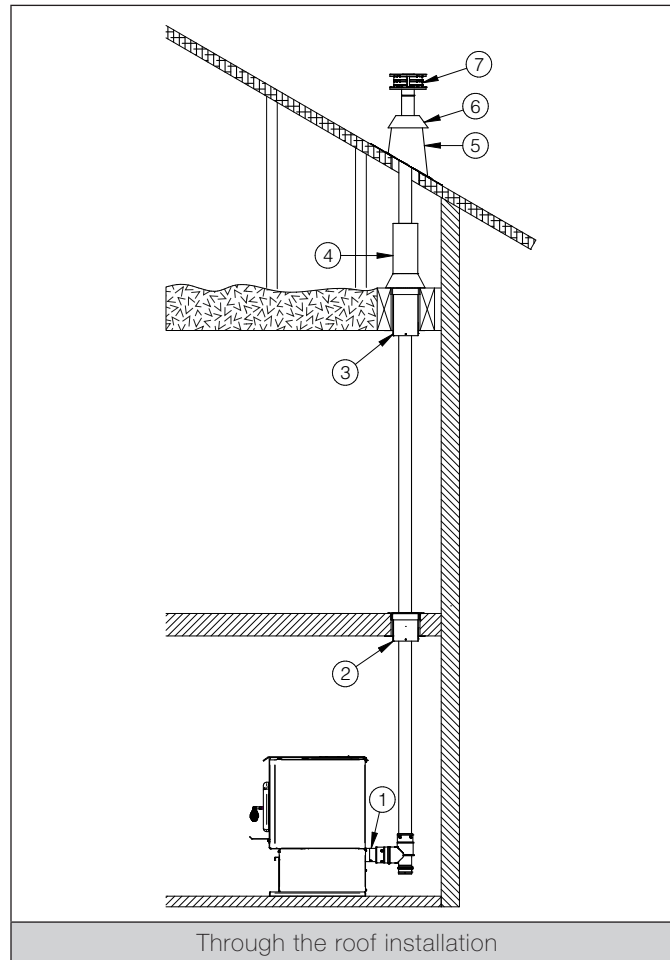
*The installation of a spark arrester on the termination of the vent is mandatory.*

8. Seal the exterior wall bracket with silicone.



## Through the Roof

Where vent pipes pass through an attic, a closet or any confined space, a floor or ceiling, only approved venting components shall be used. To pass through a combustibile wall or partition, the installation must meet CSA-B365 standard for solid fuel-burning appliances and equipment.

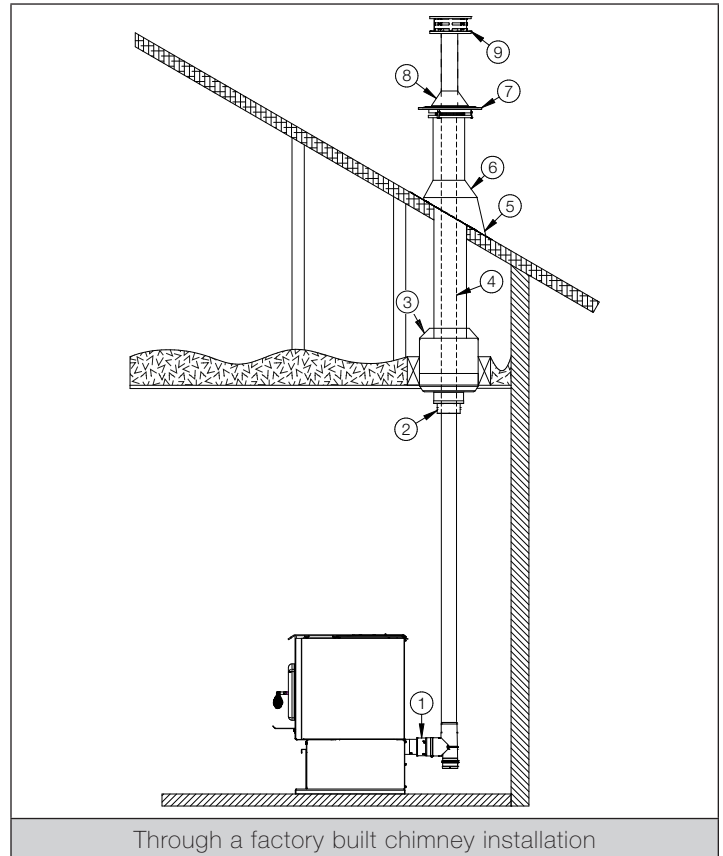


1. Position appliance following appliance and venting system manufacturer's installation instructions.
2. Install a stove connector **(1)** or tee on the appliance flue collar. Seal with high temperature silicone. If necessary, use an additional horizontal length between the flue collar and the tee.
3. Use a plumb bob to determine where the exhaust pipe will pass through the ceiling and roof.
4. Cut a hole in the ceiling and in the roof and frame the rough opening. Refer to the vent manufacturer's instructions for dimensions and construction rules.
5. Install a ceiling support **(2)** in the rough opening and the first vent section following vent manufacturer's instructions.
6. Install a firestop radiation shield **(3)** on any subsequent ceiling/floor, except for the attic where an attic insulation shield is required **(4)**.
7. Run the necessary section of vent vertically so the rain cap exceeds the highest point of the roof at least 24" in United States and at least 36" in Canada.
8. Install roof support.
9. Install roof flashing **(5)**, storm collar **(6)** and rain cap **(7)** as per manufacturer's instructions.

## Through a Factory Built Chimney

*This type of installation is usually used when a wood burning appliance is replaced by a pellet appliance.*

**Before installing, the chimney must be cleaned and inspected by a qualified chimney sweep or installer. Any creosote must be removed from the existing chimney.**



Through a factory built chimney installation

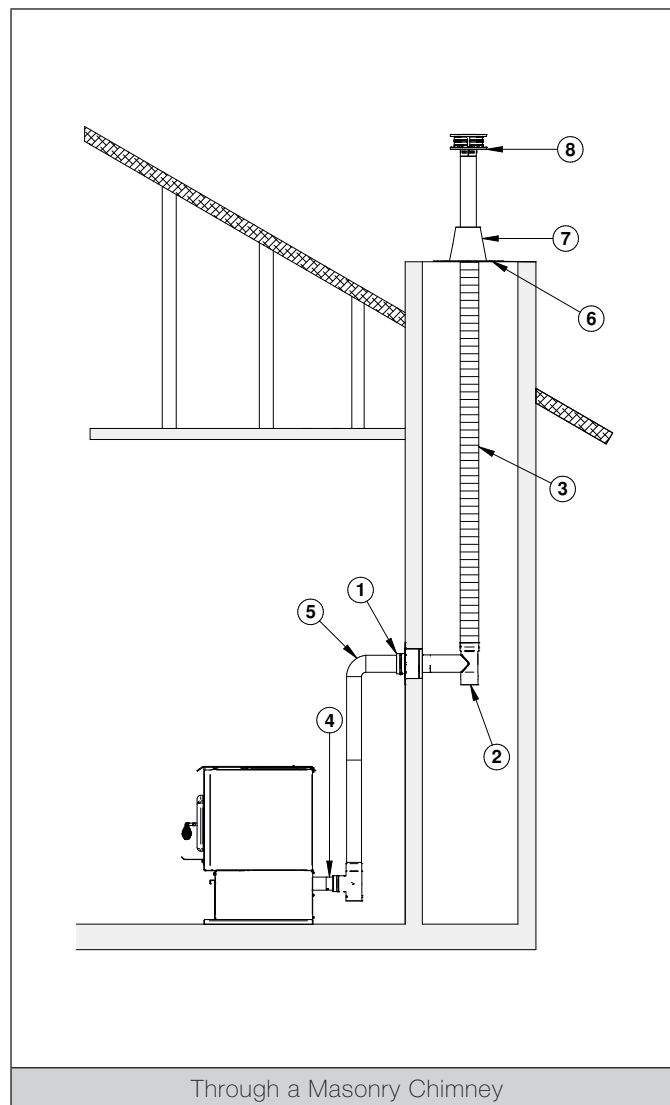
1. Remove any existing chimney pipe from the heater to the universal adapter already installed in the ceiling support.
2. Position appliance following appliance and venting system manufacturer's installation instructions.
3. Install a stove connector **(1)** or tee on the appliance flue collar. Seal with high temperature silicone. If necessary, use an additional horizontal length between the flue collar and the tee.
4. Install the appropriate chimney adapter **(2)**. The adapter must be installed on the universal adapter **(3)** with a minimum of three screws.
5. Connect the number of pipe sections required to pass through the chimney adapter into the chimney.

*It is allowed, but not recommended, to leave the factory built chimney to naturally evacuate the combustion gases.*

6. It is highly recommended to either extend the pellet venting through the chimney or to connect the vent pipe to a stainless steel liner **(4)** following the venting system manufacturer's instructions.
7. Make sure there is a roof flashing **(5)** and a storm collar **(6)** already installed and that they are in good condition. Install a chimney end cap **(7)** and a second storm collar **(8)**. Leave at least ½» between the end cap and the storm collar to let the heat evacuate. Seal storm collar with venting or liner with high temperature silicone.
8. Venting or liner should exceed the chimney of at least 12". Install a rain cap **(9)** as per manufacturer's instructions.

## Through a Masonry Chimney

The structural condition of the masonry chimney must first be inspected by a qualified chimney sweep or installer.

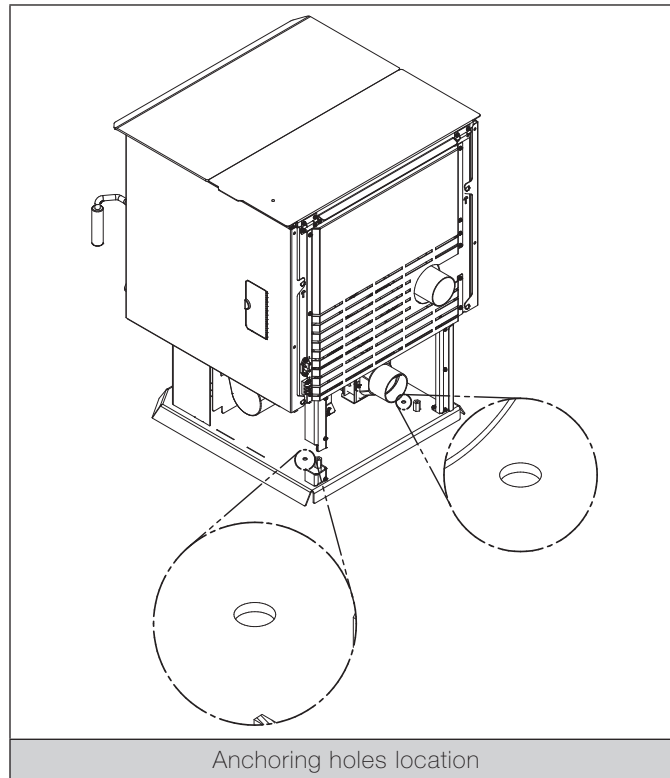


1. Position appliance following appliance and venting system manufacturer's installation instructions.
2. Mark the location where the pipe should enter the masonry. Make a hole in the masonry of the diameter suggested by the vent manufacturer. Install a masonry adapter **(1)**.
3. Connect a tee with a removable snout **(2)** to the bottom of a rigid or flexible stainless steel liner **(3)** in accordance with the manufacturer's instructions. Liner length should be equal to the length of the chimney from the mark plus 12". The center of the tee snout must be aligned with the center of the hole in the masonry.
4. Install a stove connector **(4)** or tee on the appliance flue collar. Seal with high temperature silicone. If necessary, use an additional horizontal length between the flue collar and the tee.
5. Install a sufficient length of vertical pipe to join the masonry adapter. Add an elbow **(5)** and connect the vertical section to the masonry adapter with a slip section.
6. Install and seal a top plate **(6)** with high temperature silicone.
7. Install top plate **(6)**, storm collar **(7)** and rain cap **(8)** as per manufacturer's instructions

## MOBILE AND MANUFACTURED HOME

For a mobile and manufactured home installation, it is mandatory to

- Connect the stove to a vent system who is:
  - **In Canada** : certified according to the standard ULC/ORD-C441 or CAN/ULC-S609. A chimney meeting the requirements of ULC S629M can also be used.
  - **In the United States**, certified according to the UL 641 standard. A chimney that meets the requirements of UL 103 standard may also be used.
- Connect the stove to an outside combustion air source (fresh air).
- Attach the stove to the structure of the mobile / manufactured home with two screws. Use the two anchoring holes located on each side of the pedestal, as shown .



**WARNING : DO NOT INSTALL IN A SLEEPING ROOM.**



**CAUTION : THE STRUCTURAL INTEGRITY OF THE MOBILE / MANUFACTURED HOME FLOOR, WALL, AND CEILING / ROOF MUST BE MAINTAINED.**

# THERMOSTAT INSTALLATION

## Location

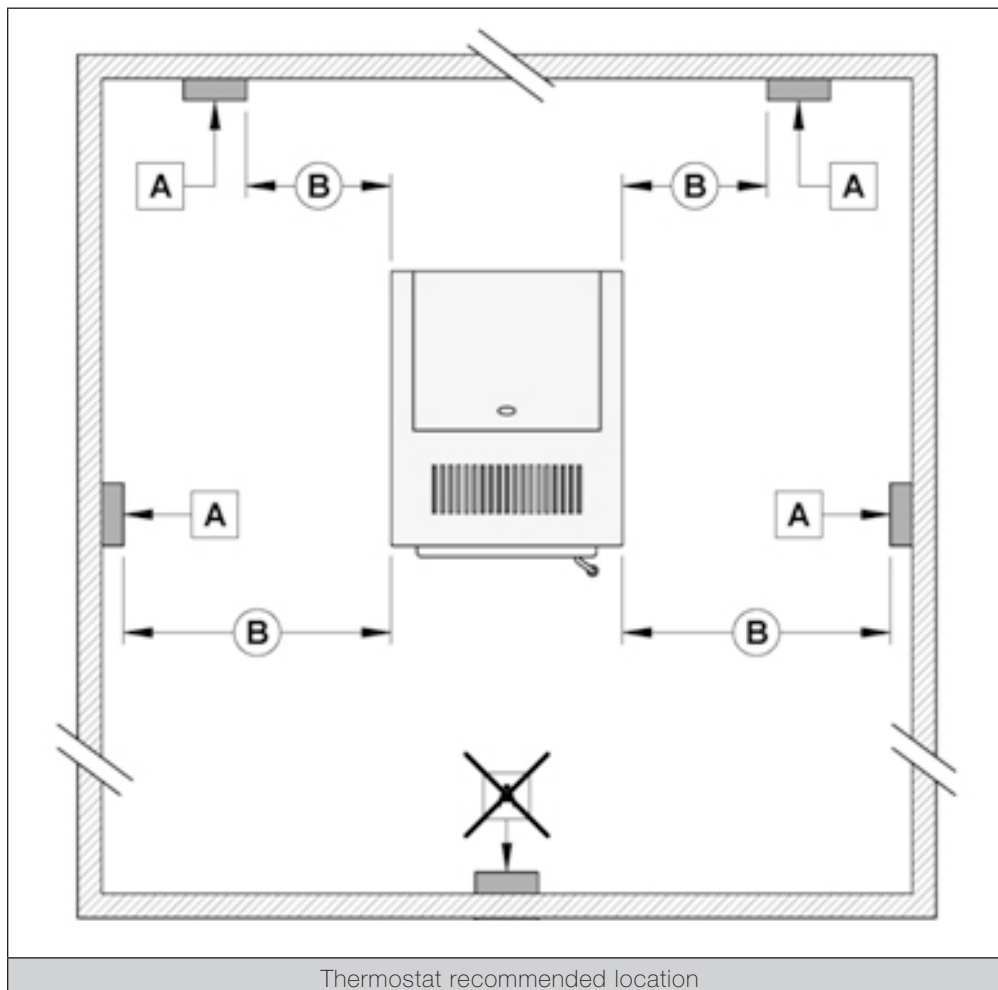
Using a thermostat will help maintain a constant temperature throughout the house. A low voltage thermostat (24 volts) is required. A fixed wall mount or hand held model can be used.

Location of the thermostat is very important to obtain maximum comfort and efficiency. The thermostat should be located 4 to 5 feet above the floor or in accordance with applicable building codes. It should be installed in a location that provides good air circulation and if installed in the same room as the stove, it should also be located at around 12 feet from the stove.

Avoid installing the thermostat in the following areas:

- Behind doors;
- Near corners;
- Near air vents;
- Near lighting system;
- Under direct sunlight;
- Under heat generating devices;
- On an outside wall;
- Directly in front of the stove.

*Installing the thermostat in front of the stove or in front of a window will tend to make the stove cycle (start and stop) too often and wear components prematurely. See operation's manual for more details on how to operate the stove with the proper pilot mode.*

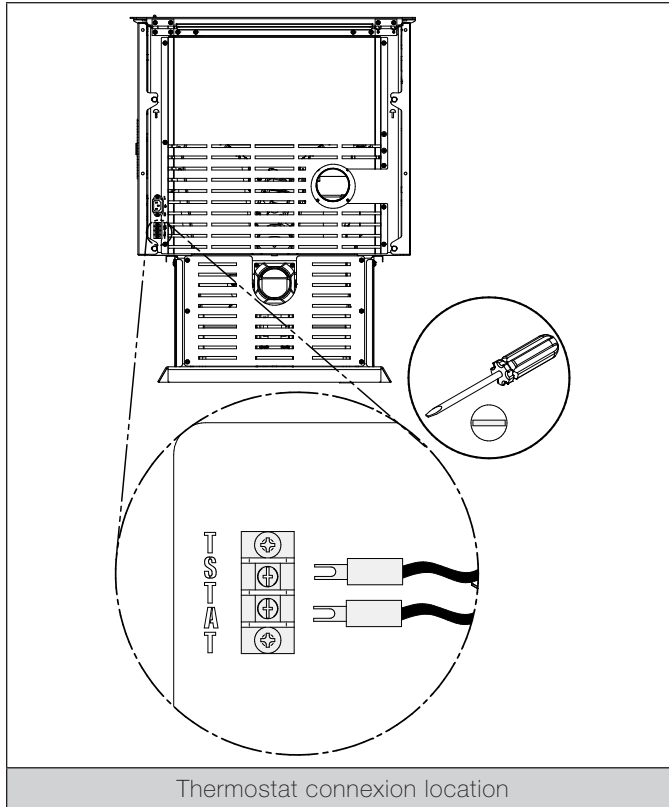


A	Thermostat
B	12'

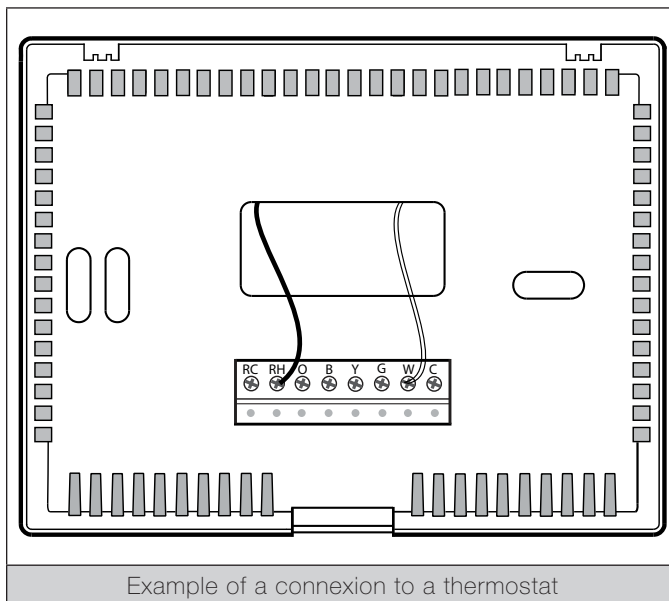
## Electrical Connection

*Thermostat manufacturer's instructions always override the information published in the following section.*

1. Unplug the power cord from the power outlet.
2. Connect the two thermostat wires to the terminal block located at the rear on the right hand side of the stove when facing it. Loosen the two middle screws and insert the wires in the terminals. Tighten the two screws.
3. Open the thermostat and connect the wires as per the manufacturer's instructions.



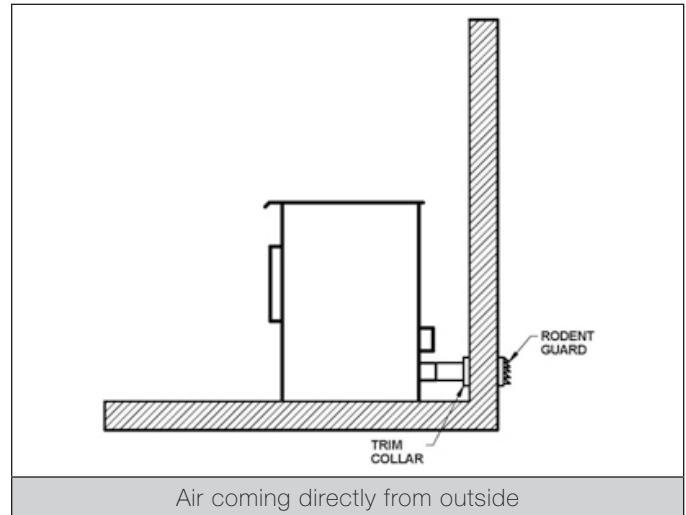
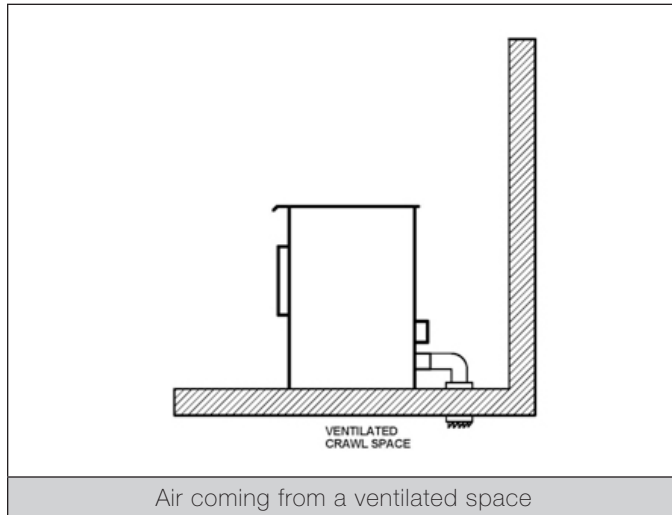
4. Connect one wire to "RH" and the other wire to "W". For further information refer to the manufacturer's instructions.



## FRESH AIR INTAKE

It is recommended, sometimes even mandatory according to local authorities, to install a fresh air intake in or near the room where the stove is installed.

The air intake must not draw air from the attic, from the basement, from a garage or any enclosed space. Air must be drawn from a ventilated crawl space under the floor or directly from outside.



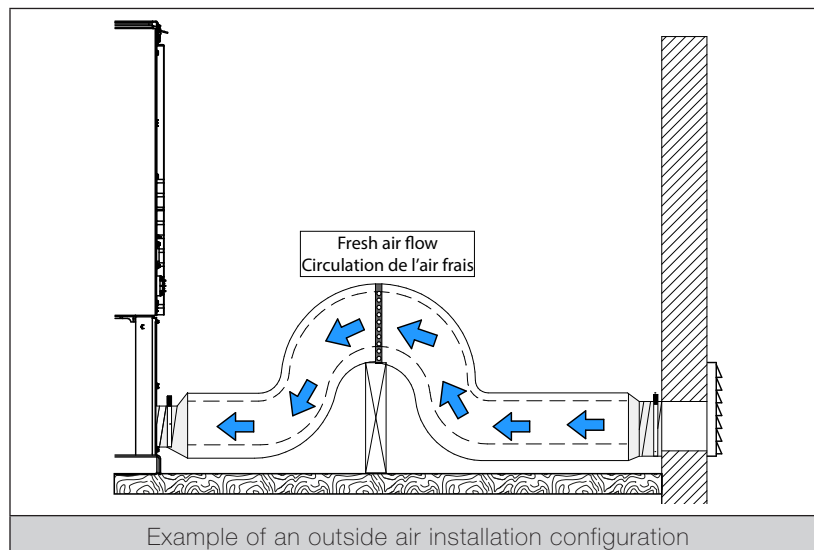
**THE INLET TO THE INTAKE MUST BE BELOW AND A MINIMUM OF 12" (30CM) AWAY FROM THE UNIT EXHAUST OUTLET.**

When the fresh air intake is installed on an outside wall, it is preferable to choose one that is not exposed to the prevailing winds since the pressure can vary in windy weather. Choose a location suited to the conditions surrounding the house.

At all times, make sure the outside air register is not obstructed by snow, ice or other objects.

### Installation

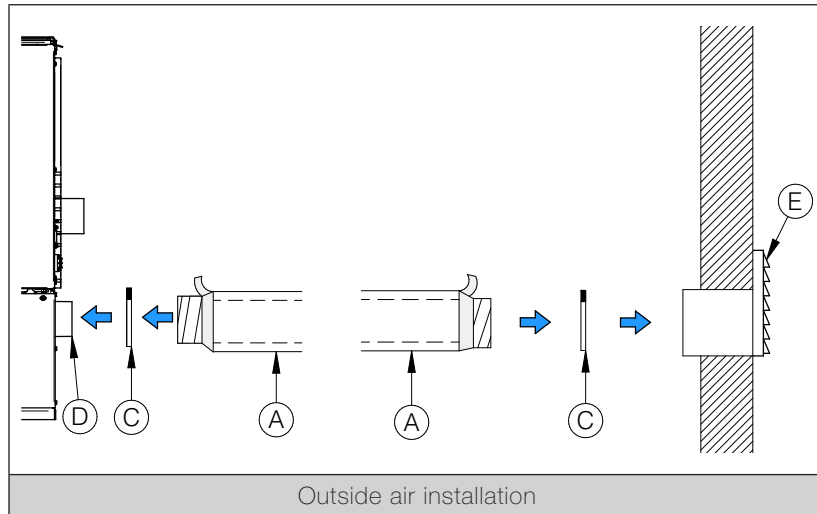
The installation configuration and length of the insulated pipe should be done in a way to prevent condensation (see figure below).



1. Install a 3" inside diameter, either flexible or rigid, insulated pipe (HVAC type, must comply to ULC S110 and/or UL 181, Class 0 or Class 1) to the fresh air intake. **(D)**. To do so, carefully pull back the insulation and plastic cover, exposing the flexible pipe. Attach the flexible pipe using pipe clamps **(C)** or foil tape.

*All connections must be secured and airtight by either using the appropriately sized hose clamp or UL-181-AP foil tape.*

2. Make a hole 1/4" to 1/2" (6 mm à 13 mm) bigger than the insulated pipe diameter in the outside wall of the house at the chosen location.



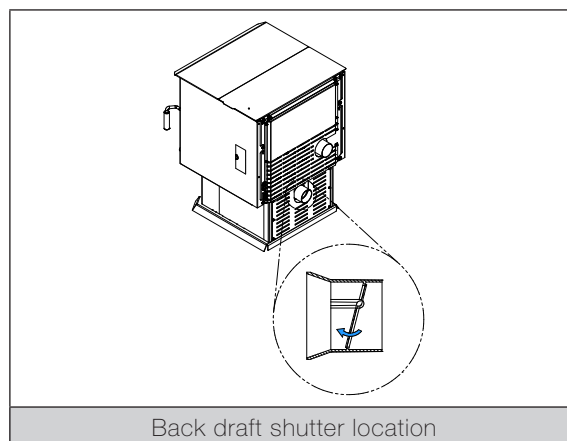
3. From outside, place the outside air register **(E)** in the hole (open side down) and fasten the register to the wall, with screw.

*The outside air register must have a rodent guard with a minimum of 1/4" wire mesh.*

4. Place the insulated pipe **(A)** over the register tube. To do so, carefully pull back the insulation and plastic cover, exposing the flexible pipe. Attach the flexible pipe using pipe clamps **(C)** or foil tape.

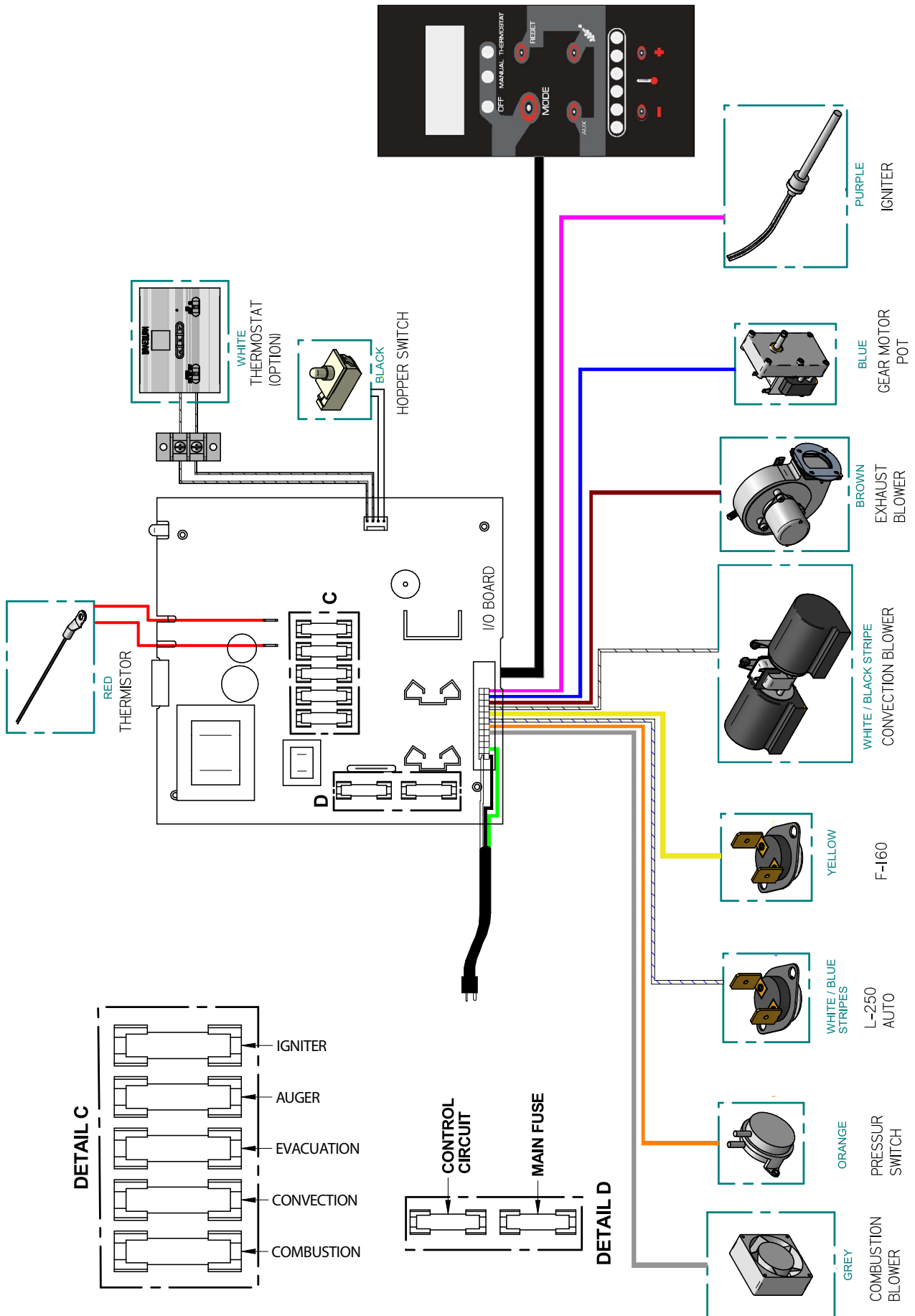
*All connections must be secured and airtight by either using the appropriately sized hose clamp or UL-181-AP foil tape.*

5. Wrap the tape around the joint between the flexible pipe and the air inlets. Carefully push the insulation and plastic cover back over the pipe. Fix the plastic in place using foil tape.
6. Make sure that the fresh air intake back draft shutter, located in the back of the stove, functions freely.





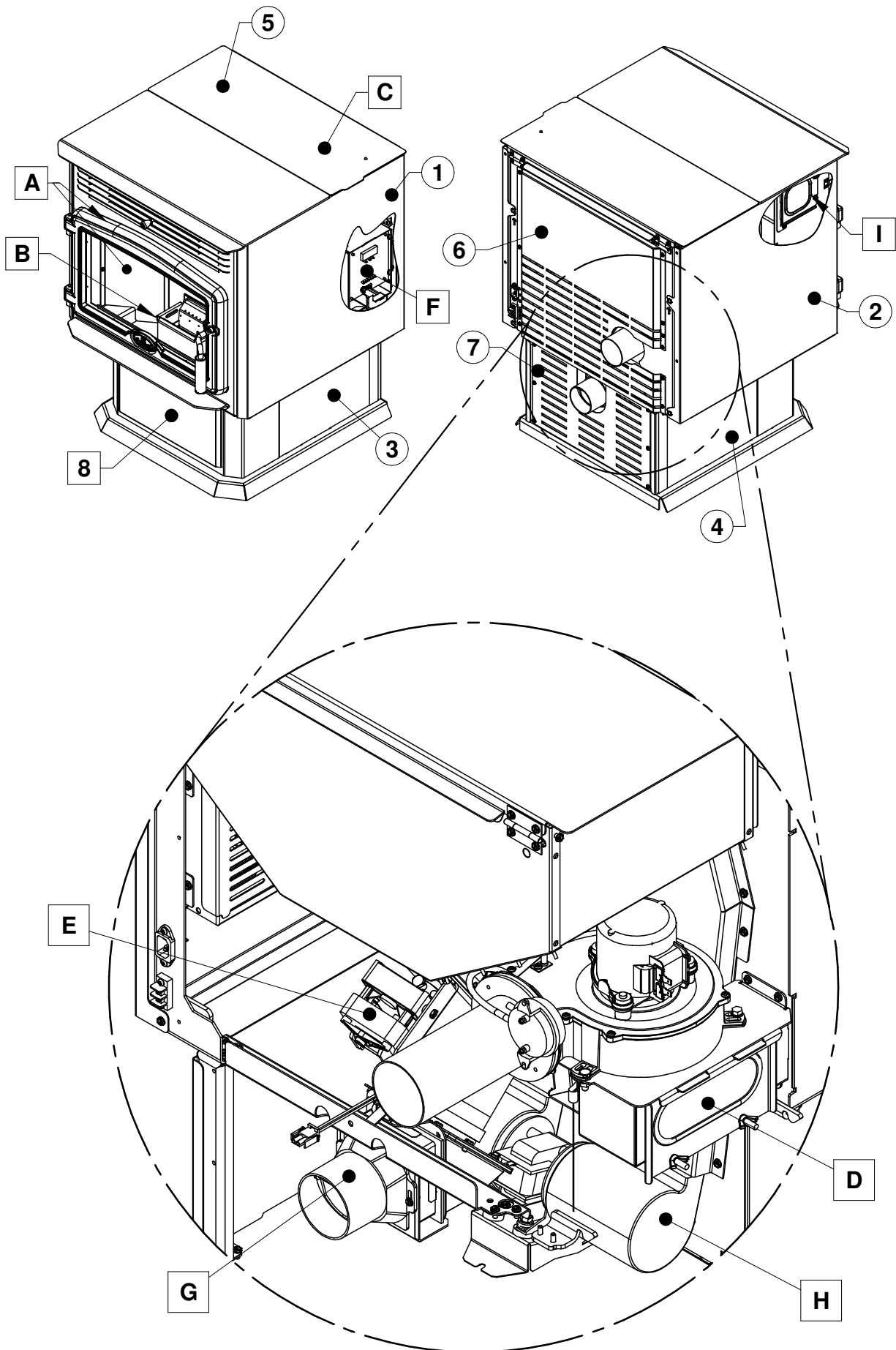
# WIRING DIAGRAM



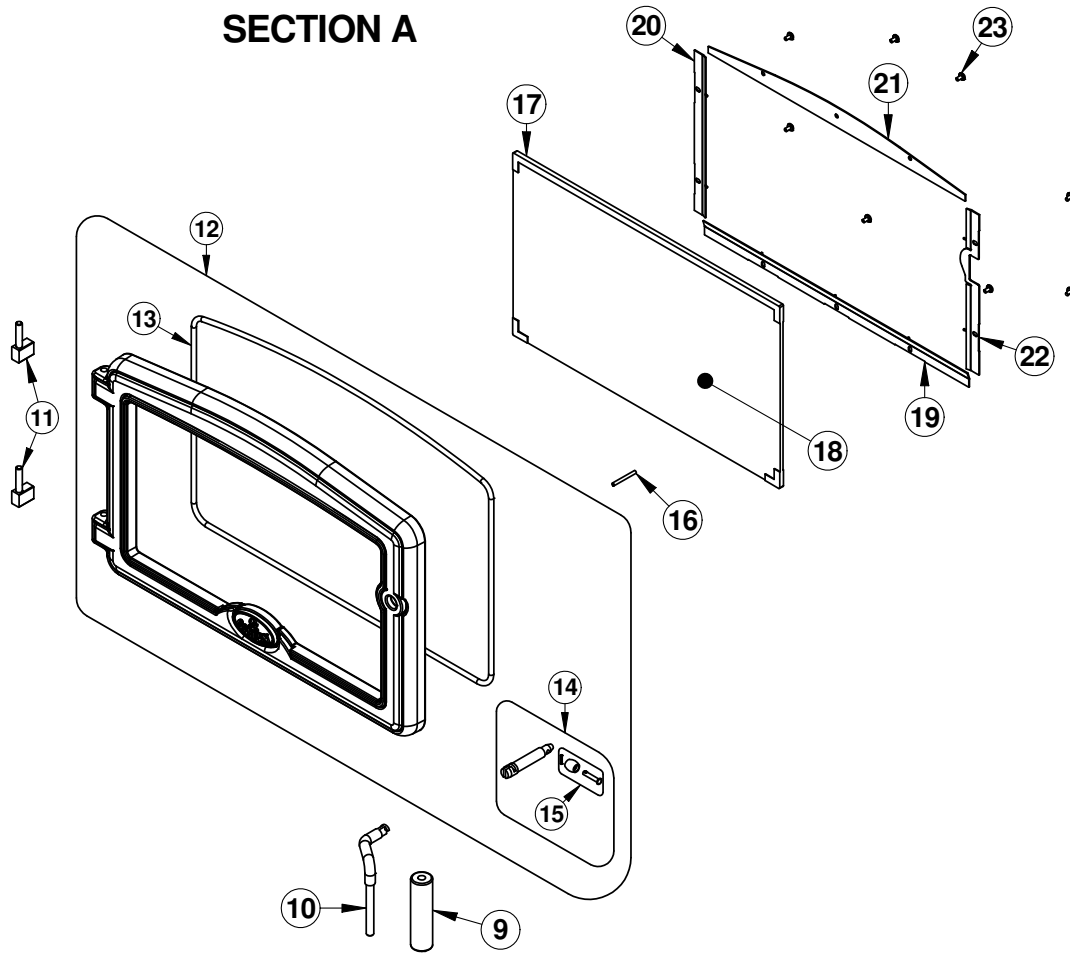
ENGLISH

# EXPLODED VIEWS AND PARTS LIST

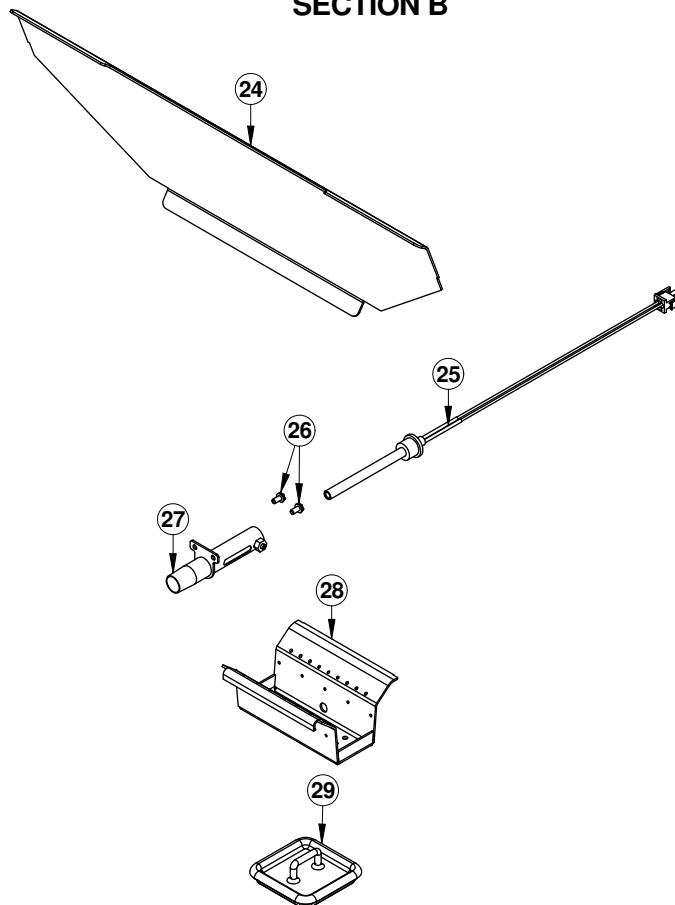
ENGLISH



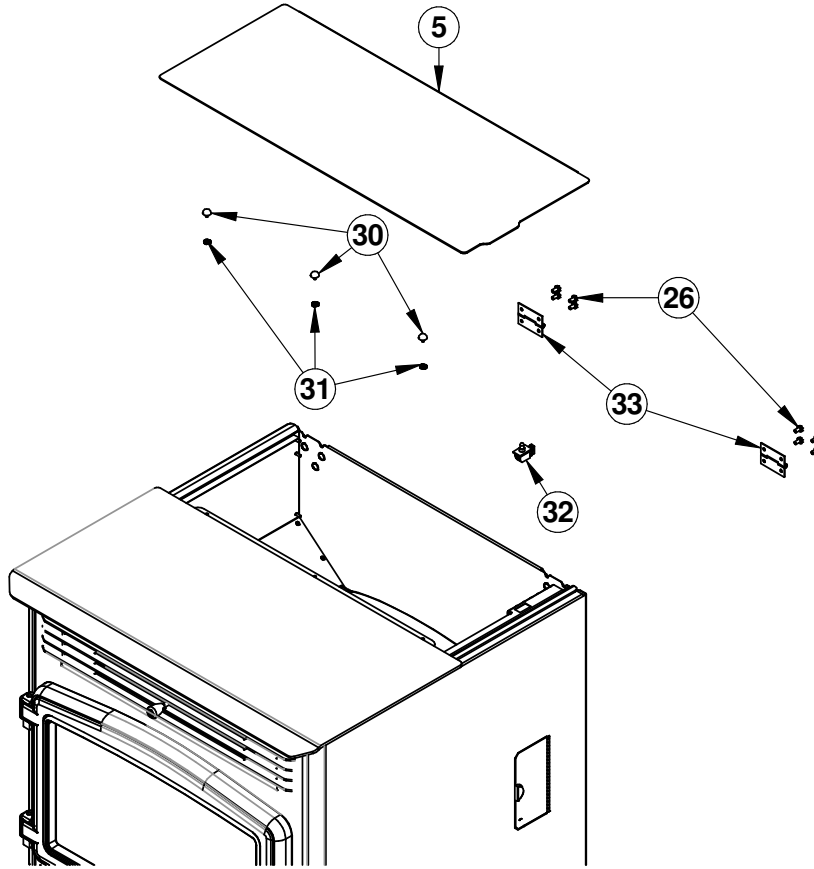
# SECTION A



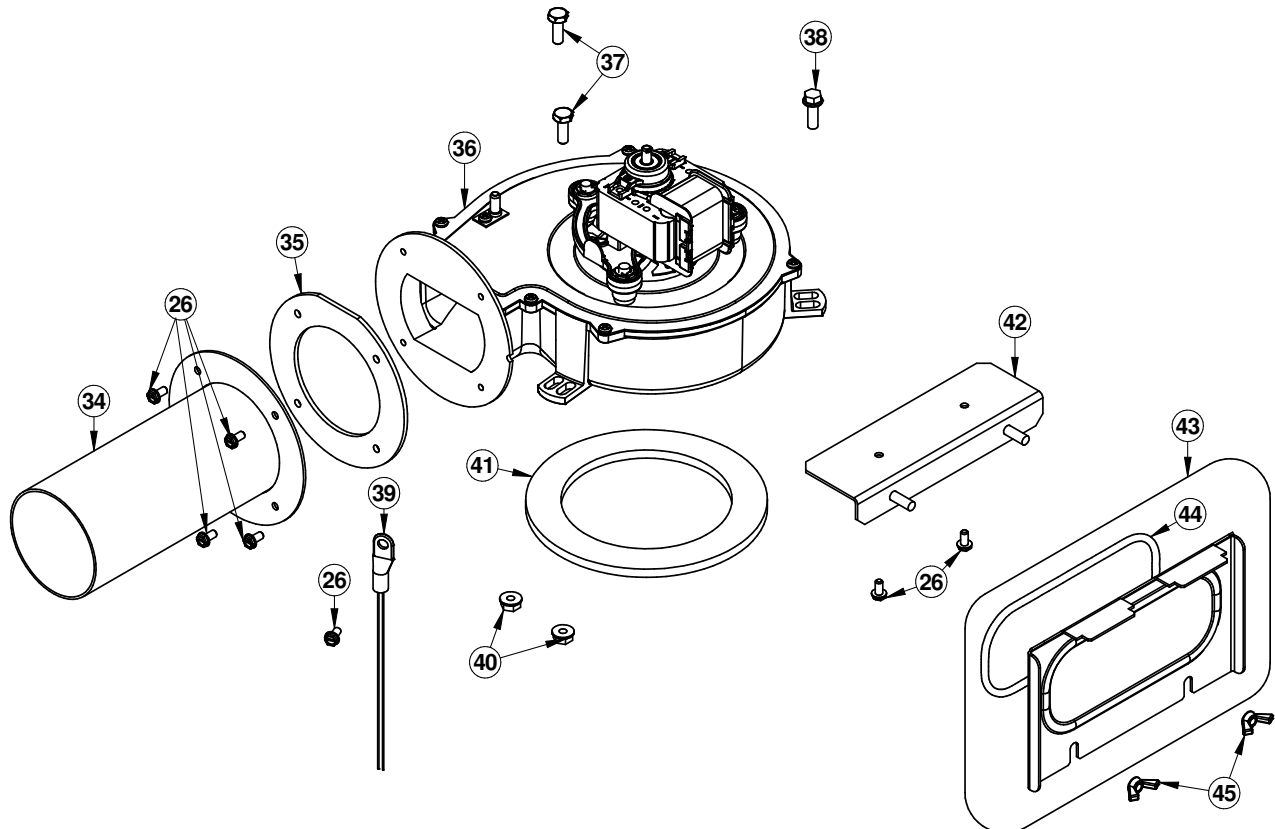
# SECTION B



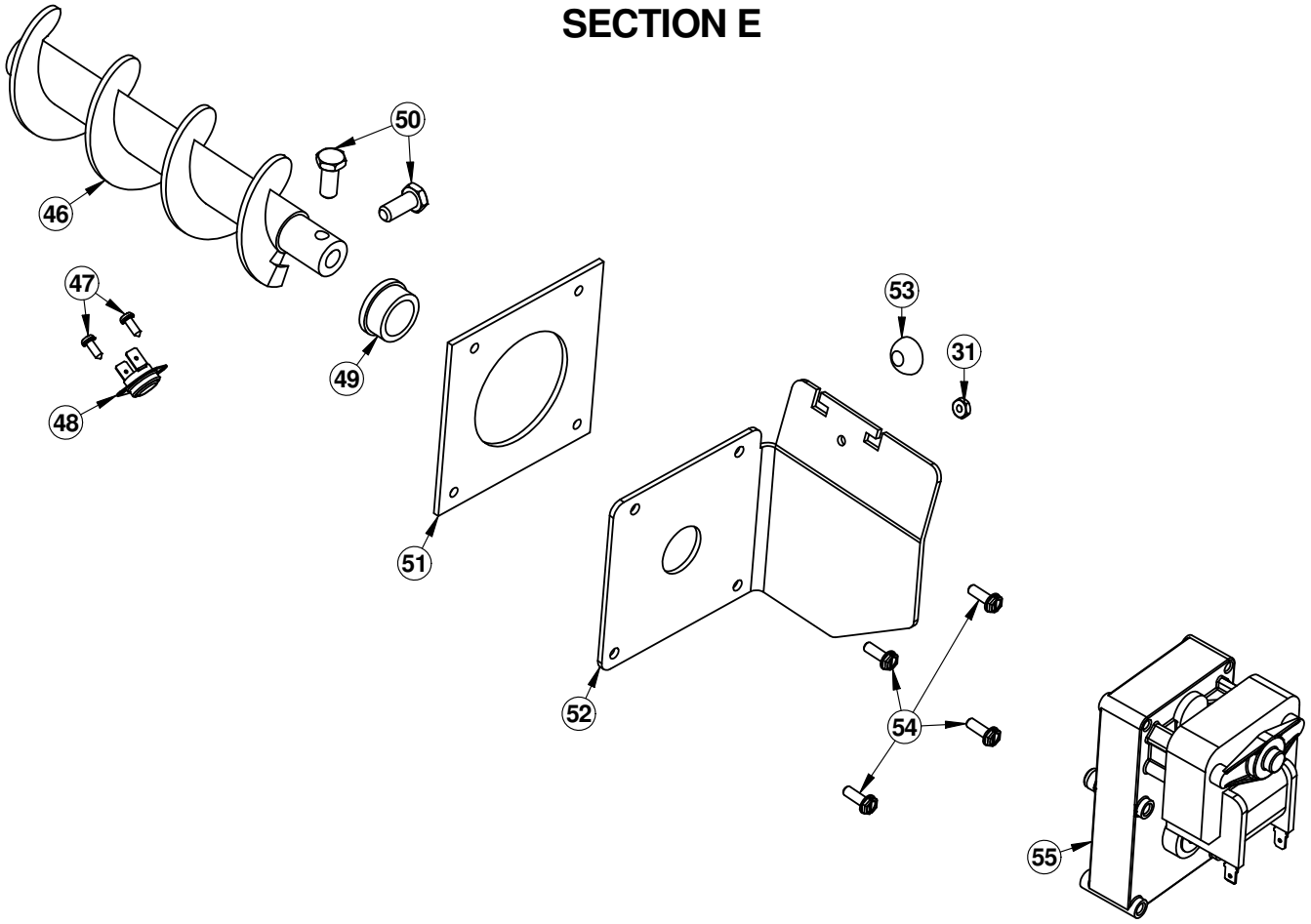
# SECTION C



# SECTION D

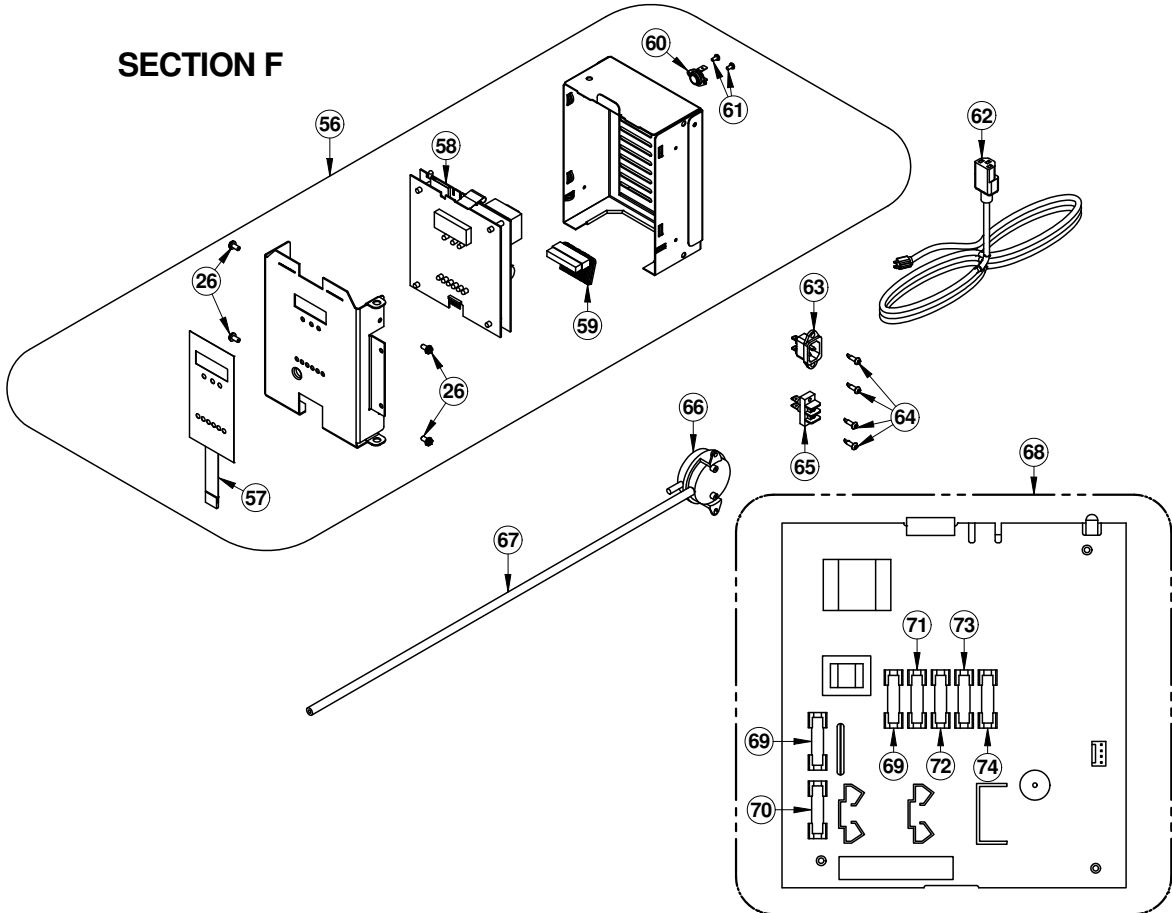


# SECTION E

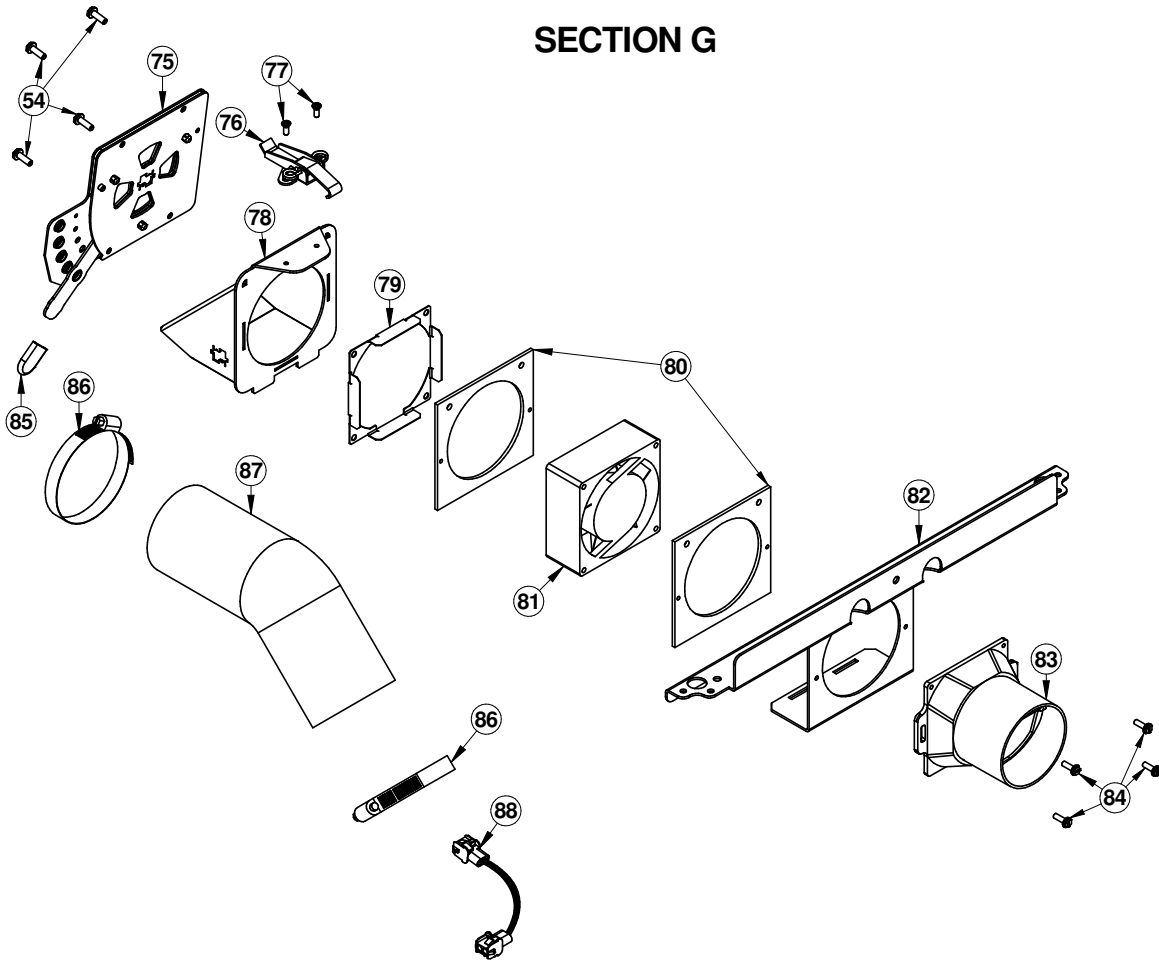


ENGLISH

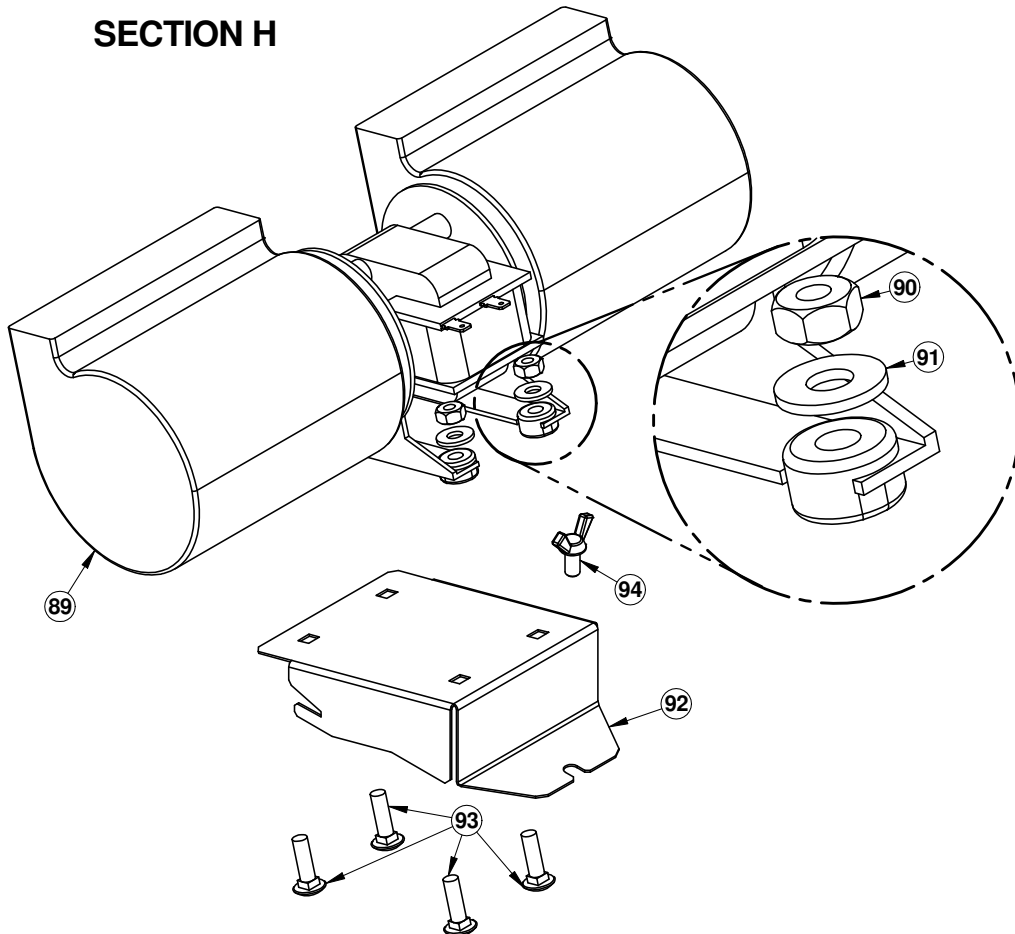
# SECTION F



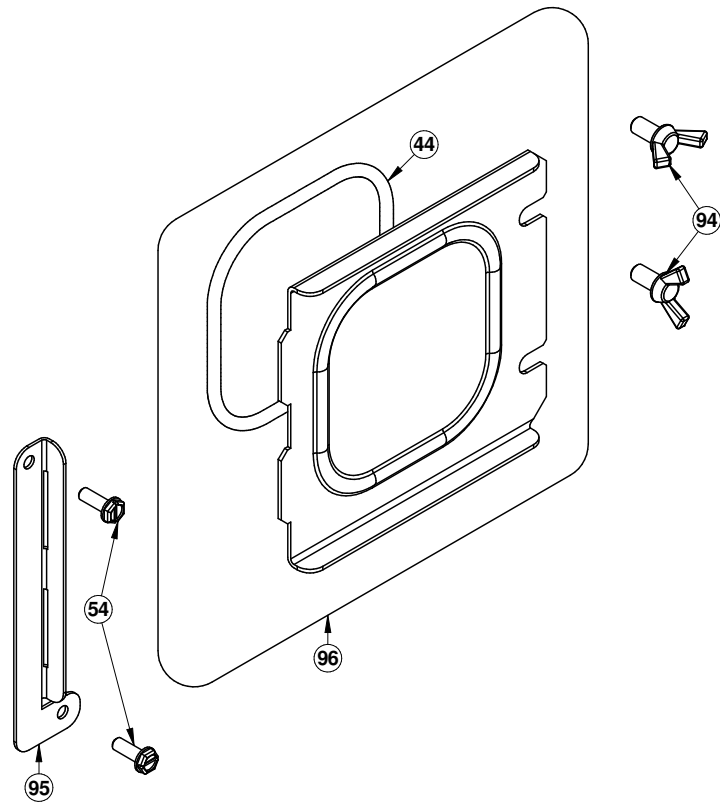
## SECTION G



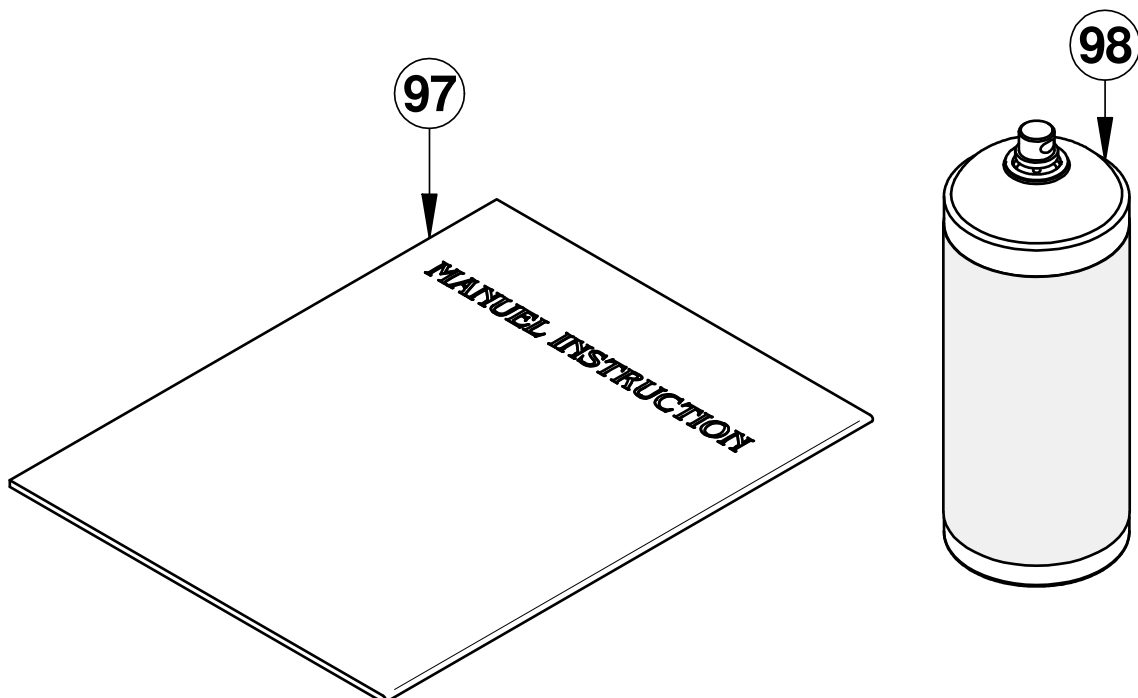
## SECTION H



## SECTION I



## SECTION J



No.	Parts	Description	Qty
1	SE69865	RIGHT HAND DECORATIVE SIDE PANEL ASSY	1
2	PL69866	LEFT HAND DECORATIVE SIDE PANEL	2
3	PL69869	LOWER RIGHT SIDE DECORATIVE PANEL	1
4	PL69868	LOWER LEFT SIDE DECORATIVE PANEL	1
5	PL69895	HOOVER LID	1
6	PL69794	BACK PANEL	1
7	PL69795	LOWER BACK PANEL	1
8	SE69870	ASH DRAWER	1
9	30742	DRILLED BLACK WOODEN DOOR HANDLE	1
10	PL69897	REMOVABLE HANDLE	1
11	30363	HINGE PIN 5/16" X 2"	2
12	SE24124-02	CAST IRON DOOR WITH HANDLE AND GASKET	1
13	AC06100	SILICONE AND 1/4" X 1/2" X 8' BLACK DOOR GASKET KIT	1
14	AC09176	DOOR HANDLE AND LATCH KIT	1
15	AC09185	DOOR LATCH KIT	1
16	30101	SPRING TENSION PIN 5/32"Ø X 1 1/2"L	1
17	AC06400	3/4" (FLAT) X 6' BLACK SELF-ADHESIVE GLASS GASKET	1
18	SE69859	REPLACEMENT GLASS WITH GASKET 8 3/4" x 14"	1
19	PL69872	LOWER GLASS RETAINER	1
20	PL69874	LEFT GLASS RETAINER	1
21	PL69867	UPPER GLASS RETAINER	1
22	PL69873	HANDLE SIDE GLASS RETAINER	1
23	30124	SCREW #8 - 32 X 5/16" TRUSS QUADREX ZINC	8
24	PL69777	FIRE BAFFLE	1
25	SE44132	IGNITER ASSEMBLY 120V 300W	1
26	30029	THREAD CUTTING SCREW 10-24 TYPE "F" X 3/8" HEX WASHER	19
27	44192	IGNITOR TUBE	1
28	PL69759	BURN POT	1
29	SE16059	ASH PLUG	1
30	30370	RUBBER BUMPER WITH THREADS (SMALL)	3
31	30417	BLACK HEX NUT #8-32	4
32	44098	HOPPER LID SAFETY SWITCH	1
33	30013	HINGE 2" X 1 1/2"	2
34	SE69785	EXHAUST PIPE ASSEMBLY	1
35	21392	EXHAUST ADAPTER GASKET	1
36	44193	EXHAUST FAN	1
37	30093	BOLT 1/4-20 X 3/4" HEX GRADE 5	2
38	30094	HEX SCREW WASHER HEAD 1/4-20 X 3/4" F ZINC TYPE	1



No.	Parts	Description	Qty
39	SE44095	THERMISTOR ASSEMBLY	1
40	30220	FLANGED LOCKNUT 1/4-20	2
41	21393	EXHAUST BLOWER GASKET	1
42	PL69764	SUPPORT EXHAUST TRAP	1
43	SE69803	EXHAUST CLEANING PANEL ASSEMBLY	1
44	AC06815	BLACK GASKET AND SILICONE KIT 3/16" X 5'	1
45	30484	WING NUT 1/4-20	2
46	24017	CAST IRON AUGER	1
47	30138	METAL SCREW #6 3/8" QUADREX "A" TYPE BLACK	2
48	44059	THERMODISC 36T11 L250-25 AUTOMATIC	1
49	30528	BRASS BUSHING FOR PELLET STOVE AUGER	1
50	30092	BOLT 5/16"-18 X 3/4" HEX GRADE 5	2
51	21110	AUGER PLATE GASKET	1
52	PL69773	AUGER BUSHING SUPPORT PLATE	1
53	30369	RUBBER BUMPER WITH THREADS (LARGE)	1
54	30026	THREAD CUTTING SCREW 10-24 F 5/8" HEX WASHER HEAD	10
55	44106	GEAR MOTOR FOR PELLET STOVE AUGER 1.5 RPM	1
56	SE69877	ELECTRONIC BOARD HOUSING ASSEMBLY	1
57	44148	MEMBRANE SWITCH CONTROL BOARD	1
58	PL69855	CONTROL BOARD 55 SERIE	1
59	60382	WIRING HARNESS	1
60	44058	THERMODISC 36T12 F160	1
61	30080	METAL SCREW #6 X 1/4 TYPE B PAN PHILLIPS	2
62	60331	POWER CORD 6'	1
63	60196	POWER CORD RECEPTACLE	1
64	30155	METAL SCREW #8 X 5/8" PHILLIPS SELFTAPPING TEK ZINC	4
65	60036	THERMOSTAT TERMINAL	1
66	44029	PRESSURE SWITCH	1
67	49006	3/8" X 24" SILICONE HOSE	1
68	PL69855	CONTROL BOARD 55 SERIE	1
69	44152	FUSE 0.5A / 250V (5 X 20) F2-INTERFACE	2
70	44149	FUSE 8A / 250V (5 X 20) F3-MAIN OR F8 IGNITER	1
71	44150	FUSE 3A / 250V (5 X 20) F4-AUGER & DC IEC CONNECTOR	1
72	44200	FUSE GLASS 2A 250VAC 5X20MM SLOW BLOW	1
73	44199	FUSE GLASS 1.25A 250VAC 5X20MM SLOW BLOW	1
74	44201	FUSE GLASS 4A 250VAC 5X20MM SLOW BLOW	1
75	SE69849	AIR CONTROL DAMPER ASSEMBLY	1
76	30439	SPRING CLAMP ZINC PLATED BRIGHT CHROMATE DIP	1

No.	Parts	Description	Qty
77	30021	SELF TAPPING SCREW 8-32 "F" TYPE X 7/16" FLAT HEAD PHILLIPS BLACK	2
78	PL69784	AIR INTAKE PLATE	1
79	PL64359	COMBUSTION FAN GASKET FRAME	1
80	21400	COMBUSTION FAN GASKET	2
81	SE44147	AXIAL BLOWER ASSEMBLY 115V 9W 92 X 92 X 38	1
82	PL69799	AIR CONTROL BRACKET	1
83	30777	PLASTIC BACKDRAFT DAMPER ASSEMBLY	1
84	30502	SELF TAPING SCREW #8 - 32 X 1/2" TYPE F x 3/4 HEX FLAT HEAD	4
85	30556	AIR CONTROL FINISHING TIP	1
86	49400	2 1/2" TO 3 1/2" STEEL COLLAR	2
87	21381	2 FOLD ALUMINUM LINER 3" X 6" COMPRESSED	1
88	60383	IGNITER JUNCTION WIRE	1
89	44122	DOUBLE CAGE BLOWER 176 CFM (CLASS H)	1
90	30100	BLACK HEX NUT 1/4 - 20	2
91	30185	17/64" "AA" TYPE WASHER	2
92	PL69805	CONVECTION FAN SUPPORT	1
93	30446	CARRIAGE BOLT 1/4 - 20 x 1" ZINC	4
94	30485	WING NUT 1/4-20 X 1/2" ZINC PLATTED	3
95	PL69802	CLEANING ACCESS PANEL SUPPORT	1
96	SE69804	CLEANING ACCESS PANEL WITH GASKET	1
97	SE45910	OSBURN 2500 INSTRUCTIONS MANUAL KIT	1
98	AC05959	METALLIC BLACK STOVE PAINT - 342 g (12oz) AEROSOL	1



This document is available for free download on the manufacturer's website. It is a copyrighted document. Resale is strictly prohibited. The manufacturer may update this document from time to time and cannot be responsible for problems, injuries, or damages arising out of the use of information contained in any document obtained from unauthorized sources.



Stove Builder International inc.  
250, rue de Copenhague,  
St-Augustin-de-Desmaures (Québec) Canada  
G3A 2H3  
418-908-8002  
[www.osburn-mfg.com](http://www.osburn-mfg.com)  
[tech@sbi-international.com](mailto:tech@sbi-international.com)



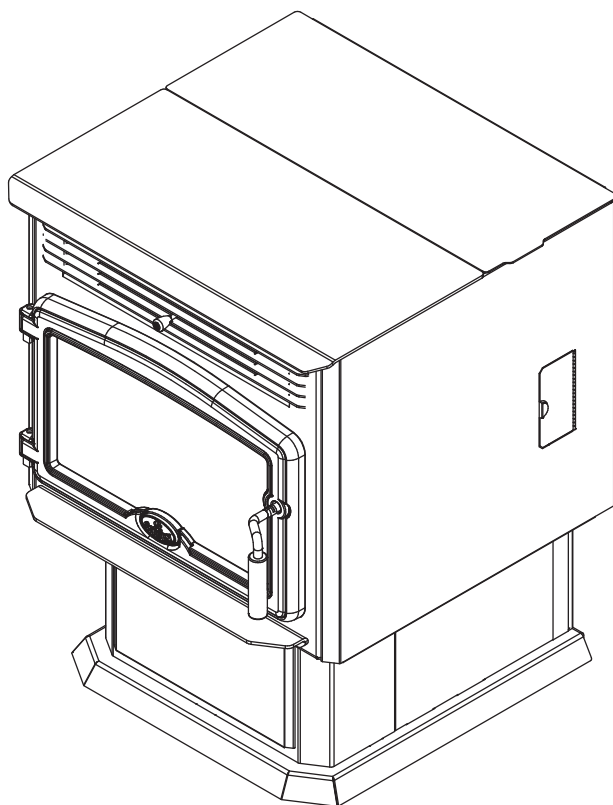
AU-DELÀ  
du feu



# Manuel d'installation

## 2500

(modèle OP00025)



Essais de sécurité faits conformément  
aux normes ULC S627, UL 1482  
et ASTM E1509 par un laboratoire  
accrédité.



**L'INSTALLATION PAR UN  
PROFESSIONNEL EST  
FORTEMENT RECOMMANDÉE**

CONSULTER LE CODE DU BÂTIMENT LOCAL OU CONTACTER LE SERVICE MUNICIPAL DES INCENDIES POUR CONNAÎTRE LES RESTRICTIONS ET LES EXIGENCES D'INSPECTION ET D'INSTALLATION DE LA RÉGION.

LIRE CE MANUEL AU COMPLET AVANT L'INSTALLATION DE CE POÊLE À GRANULES. IL EST IMPORTANT DE RESPECTER INTÉGRALEMENT LES DIRECTIVES D'INSTALLATION. SI LE POÊLE N'EST PAS INSTALLÉ CORRECTEMENT, IL PEUT EN RÉSULTER UN INCENDIE, DES BLESSURES CORPORELLES OU MÊME LE DÉCÈS.

**LIRE LE PRÉSENT MANUEL ET LE CONSERVER POUR CONSULTATION**

## RECOMMANDATIONS

Il est fortement recommandé que cet appareil de chauffage soit **installé par un professionnel certifié** aux États-Unis par le NFI (National Fireplace Institute®) ou au Canada par WETT (Wood Energy Technology Transfer) ou au Québec par l'APC (Association des Professionnels du Chauffage).

**Lorsque l'appareil n'est pas installé correctement, les matériaux combustibles à proximité peuvent surchauffer et s'enflammer.** Pour réduire les risques d'incendies, suivre les instructions d'installation de ce manuel soigneusement. Consulter le code du bâtiment local ou contacter le service des incendies pour connaître les restrictions et les exigences d'inspection et d'installation de la région. Il est également recommandé d'aviser sa compagnie d'assurance habitation.

Il se peut qu'un permis soit requis pour l'installation du poêle et du système d'évent sur lequel il est branché.

**Lire ce manuel au complet avant d'installer cet appareil.**

## INFORMATIONS GÉNÉRALES

FRANÇAIS

**Ce poêle ne fonctionne pas avec un tirage naturel ou sans source de courant** pour activer les ventilateurs et le système d'alimentation en granules. Le poêle ne fonctionnera donc pas en cas de panne électrique.

Ce poêle a été conçu et développé pour être utilisé comme **chauffage d'appoint résidentiel**. Un usage commercial ou industriel est interdit et annulera la garantie.

Les informations inscrites sur la plaque d'homologation de l'appareil ont toujours préséance sur les informations contenues dans tout autre média publié (manuels, catalogues, circulaires, revues ou sites web).

L'utilisation de composants provenant d'autres appareils ou la modification des composants actuels du poêle sont interdites et annuleront la garantie.

Toute modification de l'appareil qui n'a pas été approuvée par écrit par l'autorité d'homologation ou le manufacturier est interdite et viole les normes CSA B365 (Canada) et NFPA 211 (É.-U.).

SBI - Fabricant de poêles international inc. n'assume aucune garantie implicite ou explicite liée à la mauvaise installation de l'appareil et n'assume aucune responsabilité pour tout dommage qui en résulterait.

Lors du choix de l'emplacement de l'appareil, le système d'évent ne doit pas entrer en conflit avec les solives de plancher, les chevrons de toit, les montants, les conduites d'eau ou les fils électriques. Il est plus facile de relocaliser l'appareil que de modifier la structure de l'habitation.

Ce poêle à granules est certifié conforme à la norme EPA NSPS 2015 d'émission de particules. Il n'est pas approuvé pour être vendu après le 15 mai 2020.

---

## ACCESSOIRES ET OPTIONS DISPONIBLES

- Extension de trémie;
- Ensemble d'entrée d'air frais;
- Thermostat mural;
- Contrôle à distance thermostatique;
- Protection de plancher en verre;

Pour plus de détails, consulter le site web [www.osburn-mfg.com](http://www.osburn-mfg.com) ou se référer à un marchand autorisé.

# TABLE DES MATIÈRES

Recommandations .....	38
Informations générales .....	38
Accessoires et options disponibles.....	39
Spécifications .....	41
Performances .....	42
Dimensions .....	42
Installation de l'appareil .....	43
Consignes de sécurité .....	43
Règlementations .....	43
Préparation .....	44
Dégagements aux matériaux combustibles.....	46
Protection de plancher.....	47
<b>Système d'évent.....</b>	<b>48</b>
Informations générales.....	48
Consignes de sécurité .....	48
Règlementations .....	48
Longueur d'évent équivalente (LEE).....	49
<b>Terminaison murale .....</b>	<b>50</b>
Canada.....	50
États-Unis.....	51
Système d'évacuation direct .....	51
<i>Canada.....</i>	<i>51</i>
<i>États-Unis .....</i>	<i>51</i>
<b>Configurations d'installation du système d'évent .....</b>	<b>52</b>
À travers le mur.....	52
À travers le toit.....	53
À travers une cheminée préfabriquée .....	54
À travers une cheminée maçonnerie .....	55
<b>Maison mobile .....</b>	<b>56</b>
<b>Installation d'un thermostat .....</b>	<b>57</b>
Localisation .....	57
Branchement .....	58
<b>Entrée d'air frais .....</b>	<b>59</b>
Installation .....	59
<b>Schéma Électrique .....</b>	<b>61</b>
<b>Vue explosée et liste de pièces .....</b>	<b>62</b>



## SPÉCIFICATIONS

Modèle	2500 (OP00025)
Diamètre de tuyau d'évent recommandé	3 po. ou 4 po. selon la LEE <sup>1</sup> .
Diamètre de la buse d'évacuation	3 po. (80 mm)
Type d'évent	ULC/ORD-C441, CAN/ULC S609 UL 641 (TYPE L)
Approuvé pour installation en alcôve	Oui
Approuvé pour installation dans une maison mobile <sup>2</sup>	Oui
Poids à l'expédition (sans option)	286 lb (130 kg)
Poids de l'appareil (sans option)	253 lb (115 kg)
Normes d'émission de particules	EPA / CSA B415.1-10, ASTM E2779
Norme américaine (sécurité)	ASTM E1509, UL 1482
Norme canadienne (sécurité)	ULC S627
Spécifications électriques <sup>3</sup>	Tension et fréquence 120VAC et 60 Hz Allumage : 2.60A Opération continue : 2.50A
Fusibles	Principal: 8A - 250V réaction lente Ventilateur de convection: 5A - 250V réaction lente Ventilateur de combustion: 5A - 250V réaction lente Ventilateur d'évacuation: 5A - 250V réaction lente Moteur de vis #1: 3A - 250V réaction lente Allumeur: 8A - 250V réaction lente

Voir la section « [Évent - Longueur d'évent équivalente](#) ».

<sup>2</sup> Maison mobile (Canada) ou maison préfabriquée (É.-U.) : Le département américain du logement et du développement urbain décrit «maisons préfabriquées» mieux connues pour «maisons mobiles» comme suit ; bâtiments construits sur des roues fixes et ceux transportés sur des roues/essieux temporaires installées sur une fondation permanente. Au Canada, une maison mobile est une habitation dont l'assemblage de chaque composante est achevé ou achevé en grande partie avant le déplacement de celle-ci jusqu'à un emplacement pour y être placée sur des fondations, raccordé à des installations de service et qui rencontre la norme CAN/CSA-Z240 MH.

<sup>3</sup> Sauf indication contraire, les mesures ont été prises à la source d'alimentation de courant principale et incluent tous les composants électriques de l'appareil.

## PERFORMANCES

Valeurs telles qu'obtenues en test. Les résultats peuvent varier en fonction de la qualité, la densité, la longueur et le diamètre du granule utilisé.

Combustibles	Granules de bois (qualité premium ou supérieure <sup>1</sup> )	
Puissance thermique d'entrée maximale <sup>2</sup>	39,260 BTU/h (11,5 kW)	
Puissance thermique globale (min. à max.) <sup>3</sup>	6,648 BTU/h à 28,540 BTU/h (1.95 kW à 8.36 kW)	
Rendement moyen global <sup>3</sup>	70.3 % (PCS) <sup>4</sup>	75.8 % (PCI) <sup>5</sup>
Rendement optimal <sup>6</sup>	78.4 %	
Taux de combustion	1.2 lb/h à 4.7 lb/h (0.54 kg/h à 2.14 kg/h)	
Taux moyen d'émission de particules <sup>7</sup>	0.96 g/h (EPA / CSA B415.1-10)	
Taux moyen de CO <sup>8</sup>	7.6 g/h	

<sup>1</sup> Niveau de qualité déterminé par des organismes tels que Pellet Fuels Institute (PFI), ENplus ou CANplus.

<sup>2</sup> Basé sur le taux de combustion maximal et un pouvoir calorifique de la granule sèche de 8,600 BTU/lb.

<sup>3</sup> Telle que mesurée selon la méthode CSA B415.1-10.

<sup>4</sup> Pouvoir Calorifique Supérieur du combustible.

<sup>5</sup> Pouvoir Calorifique Inférieur du combustible.

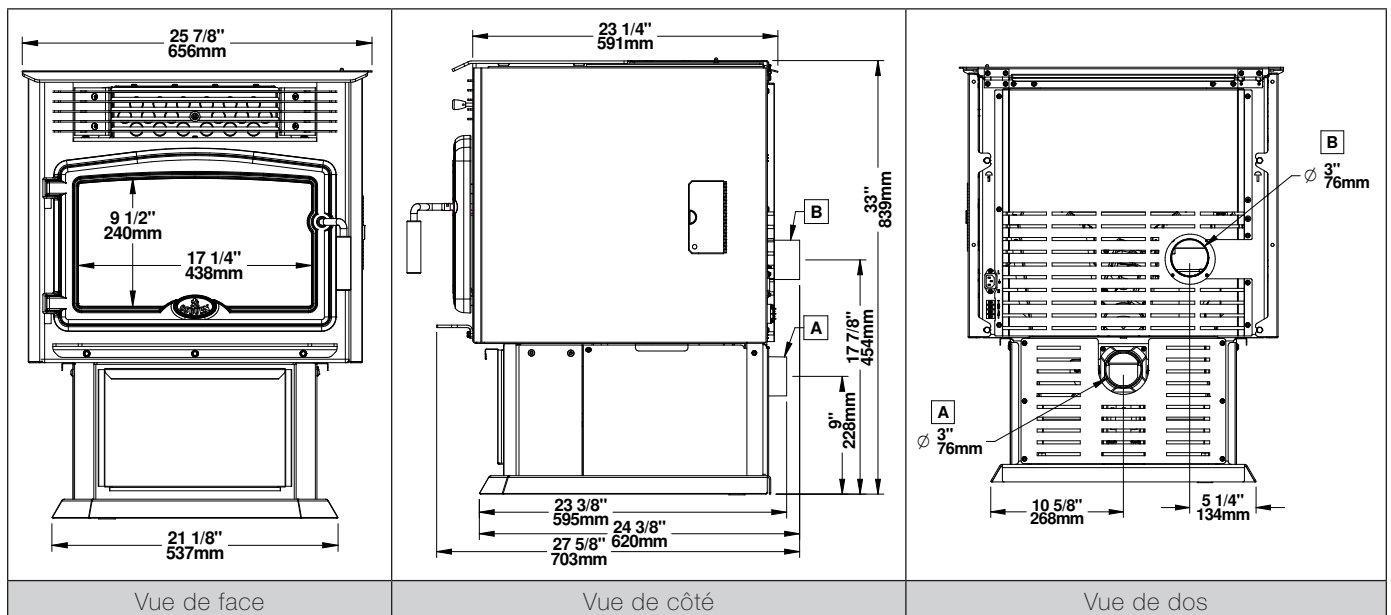
<sup>6</sup> Rendement optimal à un taux de combustion donné (PCI).

<sup>7</sup> Cet appareil est officiellement testé et certifié par un organisme indépendant.

<sup>8</sup> Monoxyde de carbone.

FRANÇAIS

## DIMENSIONS



A	PRISE POUR ENTRÉE D'AIR FRAIS
B	BUSE DE RACCORDEMENT

## INSTALLATION DE L'APPAREIL

### Consignes de sécurité

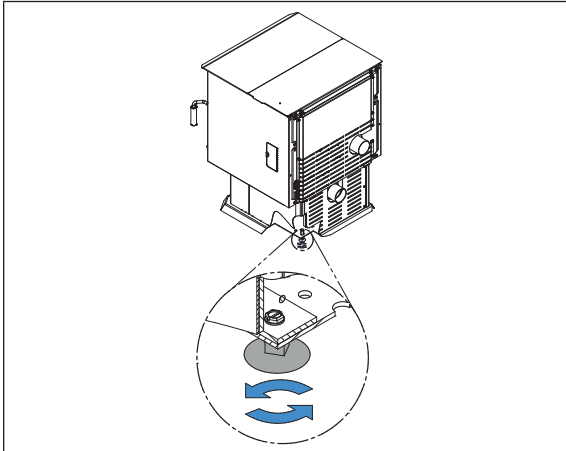
- L'installation inadéquate de cet appareil pourrait causer un incendie et un dégât de fumée. Pour réduire les risques, suivre les instructions d'installation.
- Ne pas utiliser de matériaux de fortune et ne pas faire de compromis lors de l'installation.
- Pour être installé dans une maison mobile, ce poêle requiert l'installation d'un ensemble d'entrée d'air frais, vendu séparément. Le poêle doit être fixé à la structure de la maison mobile et l'intégrité structurale du plancher, des murs, du plafond et du toit de la maison mobile doit être maintenue. Il est interdit d'installer ce poêle dans une chambre à coucher d'une maison mobile.
- Ce poêle doit être branché dans une prise électrique standard de 120V / 60Hz, avec mise à la terre. Ne pas utiliser de rallonge électrique ou d'adaptateur de prise électrique. Ne pas endommager ou enlever la mise à la terre. Ne jamais faire passer le cordon d'alimentation électrique en avant, au-dessus ou en dessous du poêle.
- Il est fortement déconseillé d'installer ce poêle dans une chambre à coucher.
- Brûler des combustibles solides génère du monoxyde de carbone en faible concentration. Ces gaz sont expulsés par le système d'évacuation. Des concentrations plus élevées en monoxyde de carbone sont toxiques et peuvent causer la mort. Afin d'éviter un empoisonnement, le **système d'évent** doit être **étanche et doit être installé correctement**.
- Un détecteur de fumée, un détecteur de monoxyde de carbone ainsi qu'un extincteur devraient être installés dans la maison. L'emplacement de l'extincteur devrait être connu de tous les membres de la famille.

### Règlementations

- Lorsqu'il est installé et utilisé tel que décrit dans les présentes instructions, ce poêle à granules convient comme appareil de chauffage d'appoint pour installation résidentielle.
- Au Canada, il faut respecter le CSA B365 Installation des appareils de chauffage à combustible solide et du matériel connexe et le CSA C22.1 Code canadien de l'électricité, en l'absence de code local.
- Aux États-Unis, il faut suivre le ANSI NFPA 211 Standard for Chimneys, Fireplaces, Vents and Solid Fuel-Burning Appliances et le ANSI NFPA 70 National Electrical Code, en l'absence de code local.
- Ce poêle à granules doit être raccordé à un système d'évent conforme aux exigences de système d'évent pour appareil à granules de bois dans la norme pour cheminées préfabriquées de type résidentiel et appareils de chauffage de bâtiment, UL 103, UL 641, ULC S629M, CAN/ULC S609 et ULC/ORD C441 ou à une cheminée de maçonnerie approuvée selon le code avec une gaine en acier inoxydable.

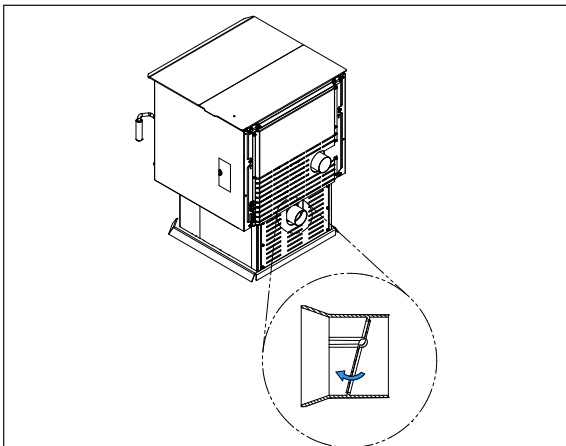
## Préparation

- Lire et suivre les instructions d'installation de l'appareil et du système d'évent;
- Retirer l'appareil et les accessoires de leur emballage. S'assurer qu'aucune pièce n'est manquante ou endommagée;
- Mettre le poêle au niveau avec les boulons élévateurs, situés sous l'appareil;



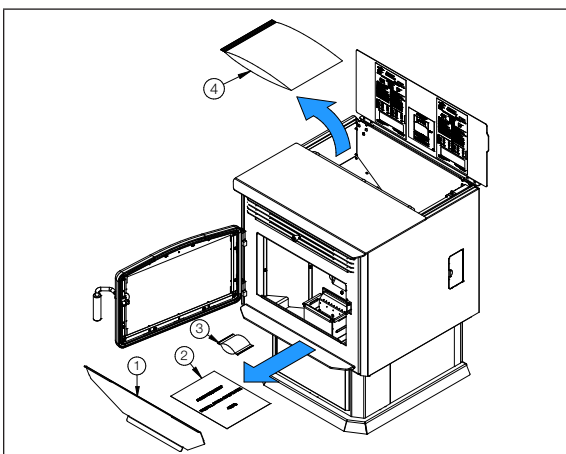
Emplacement des boulons élévateurs

- Vérifier que le clapet antiretour de l'entrée d'air frais ouvre et ferme librement;



Emplacement du clapet antiretour

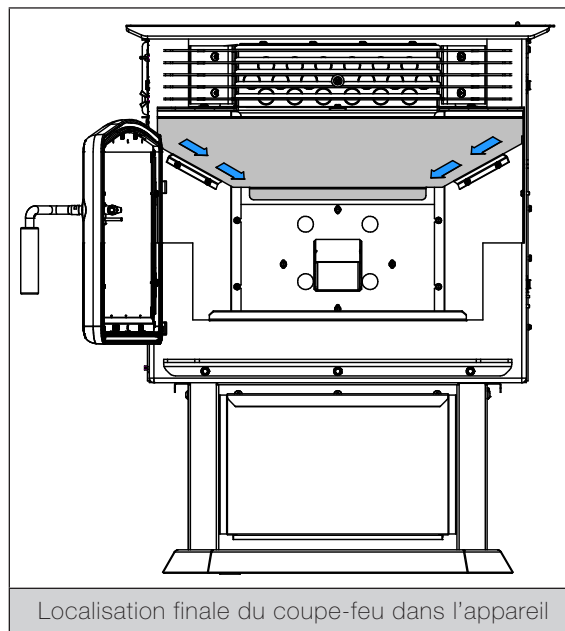
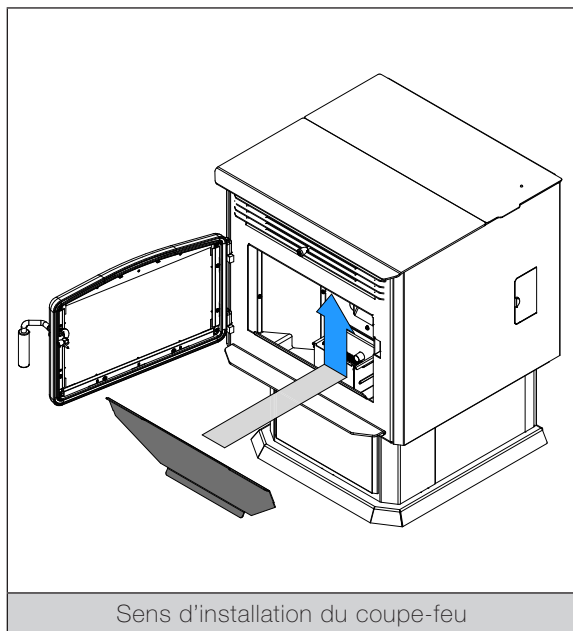
- Retirer tous les outils et autres accessoires à l'intérieur de l'appareil;



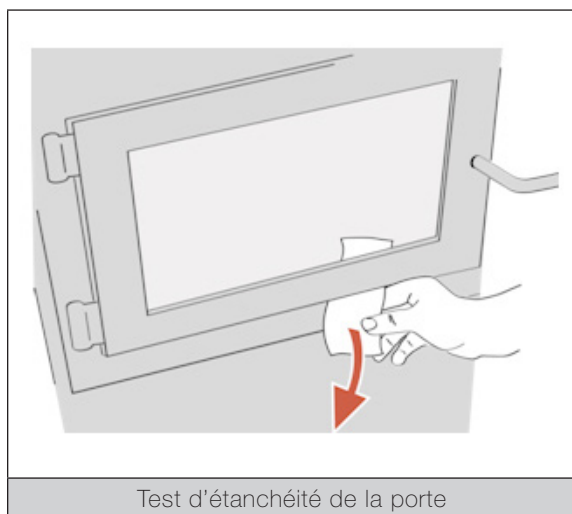
Outils et accessoires à l'intérieur de l'appareil

No	Outils / Accessoires
1	Coupe-feu
2	Feuille d'avertissement
3	Sachet déshydratant
4	Manuels de l'utilisateur

- Installer le coupe-feu comme montré ci-dessous;



- Vérifier l'étanchéité de la porte en fermant et en verrouillant la porte sur un bout de papier. Vérifier tout le tour de la porte. Le papier ne devrait pas glisser facilement. Si le papier glisse facilement, voir la section «ajustement de la porte» dans le manuel d'opération.



## Dégagements aux matériaux combustibles

On considère qu'un matériel est combustible lorsqu'il est fabriqué ou plaqué de bois, de papier compressé, de fibres de plantes, de plastiques ou tout autre matériau qui peut s'enflammer ou brûler, qu'il soit résistant au feu ou non, plâtré ou non.

Les dégagements donnés dans la présente section ont été établis à partir d'essais conformément aux procédures décrites dans les normes ULC S627 (Canada), ASTM E1509 et UL 1482 (États-Unis). Lorsque les dégagements minimums indiqués sont respectés, les surfaces combustibles ne surchaufferont pas en usage normal et même en usage anormal.

### AUCUNE PARTIE DU POÊLE NE PEUT ÊTRE PLACÉE PLUS PRÈS DES MATÉRIEAUX COMBUSTIBLES QUE LES DÉGAGEMENTS MINIMUMS INDICÉS SUR LA PLAQUE D'HOMOLOGATION.

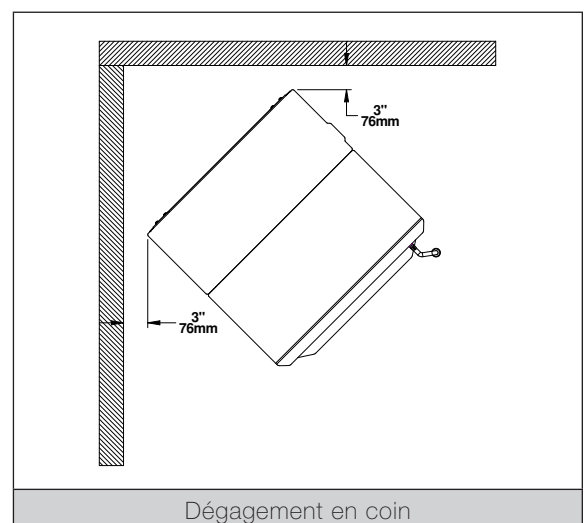
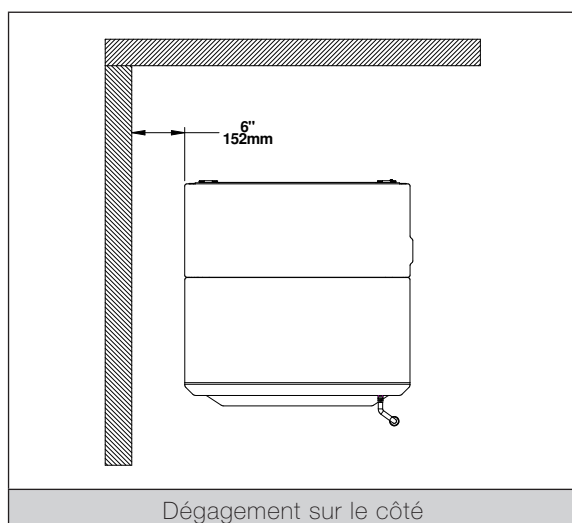
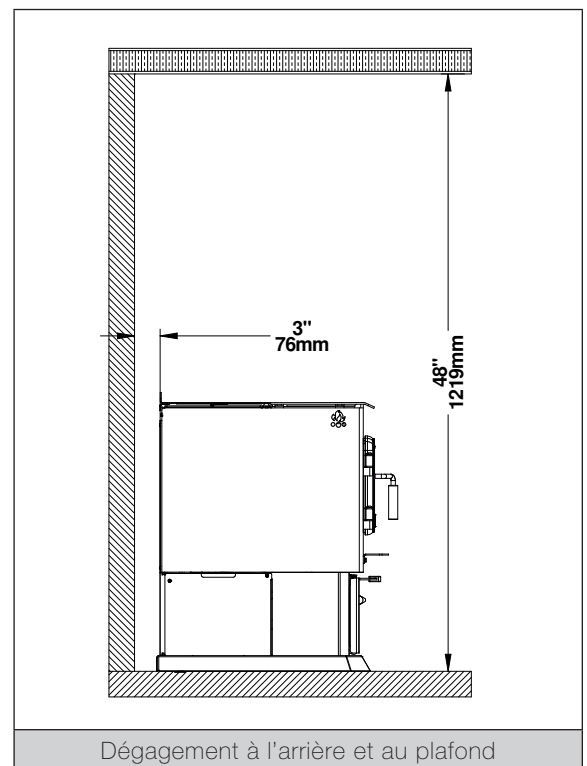
Les dégagements aux matériaux combustibles suivants peuvent être réduits seulement en suivant les instructions des organismes de réglementation ayant juridiction.

Ces dégagements sont aussi valides pour une installation en alcôve. Par contre, si l'appareil est installé dans une alcôve, il faudra prévoir déplacer l'appareil pour accéder aux trappes de nettoyage et aux composants. Pour plus d'informations sur l'installation en alcôve, visiter notre site web.

Les dégagements suivants s'appliquent au Canada ainsi qu'aux États-Unis.

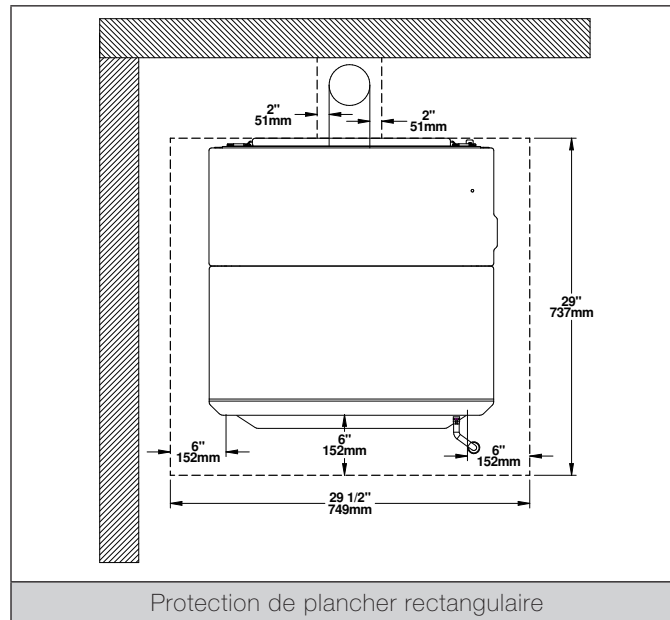
Les dégagements montrés sont les minimums requis pour assurer une installation sécuritaire. Une distance de 24" de chaque côté de l'appareil et de 12" à l'arrière est recommandée pour faciliter l'entretien.

Se référer aux instructions du fabricant du système d'évent pour les dégagements de celui-ci aux matériaux combustibles.



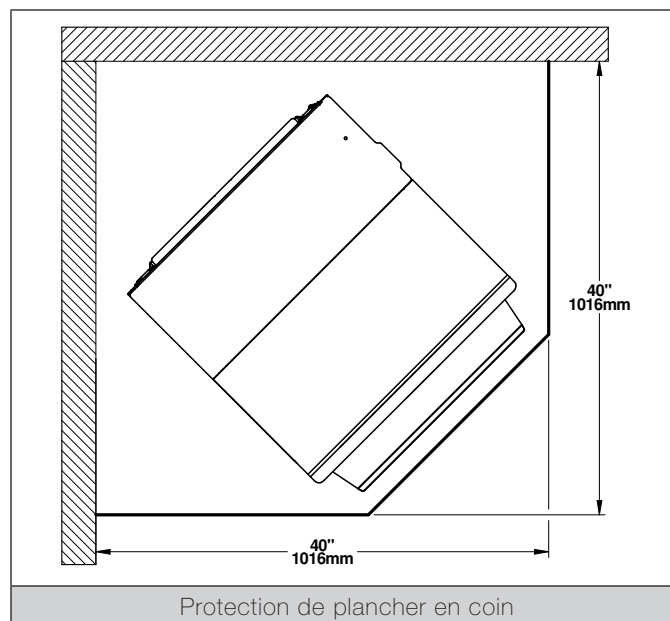
## Protection de plancher

La protection de plancher doit être une surface incombustible continue telle que de la céramique, un panneau de béton, de la brique ou tout autre matériel équivalent approuvé comme protection de plancher. La céramique doit être placée sur un panneau incombustible continu afin d'éviter que des tisons puissent être mis en contact avec le plancher à travers des fissures ou des manques dans le coulis de la céramique. Consulter le code local pour les alternatives approuvées.



La protection de plancher doit avoir un minimum de 6" (152 mm) à l'avant de l'ouverture de porte et un minimum de 6" (152 mm) de chaque côté de l'ouverture de porte. Elle doit aussi excéder de 2" (51 mm), de chaque côté d'une section horizontale de tuyau d'évent.

La grandeur de protection de plancher nécessaire pour ce poêle est de 29 1/2" x 29" pour une installation rectangulaire et de 40" x 40" pour une installation en coin.



*Note: Au Canada, les dimensions de la protection de plancher présentées sur les images précédentes peuvent être utilisées SEULEMENT si l'ouverture de la porte de l'appareil ou le retrait du tiroir à cendres se fait lorsque l'appareil est complètement éteint, c'est-à-dire qu'il n'y a plus de feu dans le pot de combustion et que les ventilateurs sont éteints. Dans tous les autres cas, voir la norme CSA B365.*

# SYSTÈME D'ÉVENT

## Informations générales

Même si le tirage de la cheminée est mécanique, la bonne configuration du système d'évent assurera un tirage naturel qui permettra d'éviter un refoulement de fumée dans la maison, surtout si une panne de courant survient. De plus, une bonne configuration du système d'évent aidera à obtenir un meilleur rendement du poêle lorsqu'il est installé en conformité avec la longueur d'évent équivalente (LEE) requise (voir section suivante).

Ce poêle est équipé d'un ventilateur qui aspire de l'air pour la combustion. Le système d'évent restreint la capacité du ventilateur à aspirer la quantité d'air nécessaire à une bonne combustion. Un système d'évent trop restrictif occasionnera des problèmes de combustion incomplète, un nettoyage plus fréquent et une mauvaise performance. Il est recommandé de choisir un emplacement pour l'appareil qui permettra d'avoir une longueur d'évent équivalente la plus courte possible.

Les configurations d'installation présentées dans les sections suivantes sont à titre indicatif seulement. Toujours se référer aux instructions du fabricant d'évent pour l'installation.

## Consignes de sécurité

Raccorder le poêle seulement à un système d'évent homologué pour utilisation avec du combustible solide ou à une cheminée conforme aux codes du bâtiment national et local.

**NE JAMAIS RACCORDER CE POÊLE À TOUT AUTRE SYSTÈME D'ÉVACUATION SERVANT À UN AUTRE APPAREIL.**

Afin d'assurer une performance constante et éviter les refoulements de fumée et de cendres, **les joints du système d'évent doivent être scellés hermétiquement et installés correctement** selon les instructions du fabricant du système d'évent.

**NE PAS INSTALLER DE REGISTRE MANUEL SUR LE SYSTÈME D'ÉVENT DE CET APPAREIL.**

**NE PAS RACCORDER À UN SYSTÈME OU À UN CONDUIT DE DISTRIBUTION D'AIR.**

Le système d'évent devrait être inspecté au moins deux fois par année pour prévenir toute accumulation de suie ou de créosote.

## Règlementations

Au Canada, l'usage d'un système d'évent répondant aux exigences des normes CAN/ULC S609 ou ULC/ORD-C441 est recommandé. Une cheminée répondant aux exigences de la norme ULC S629M peut aussi être utilisée.

Aux États-Unis, l'usage d'un système d'évent répondant aux exigences de la norme UL 641 est recommandé. Une cheminée répondant aux exigences de la norme UL 103 peut aussi être utilisée.

Ce poêle peut également être raccordé à une cheminée existante à l'aide d'une gaine en acier inoxydable. Au Canada, cette gaine doit répondre aux exigences des normes ULC S635, CAN/ULC S640 et aux États-Unis à la norme UL 1777. Se référer aux instructions fournies par le fabricant du système d'évent, et ce, spécialement lorsqu'il s'agit de passer au travers un mur, un plafond ou le toit.



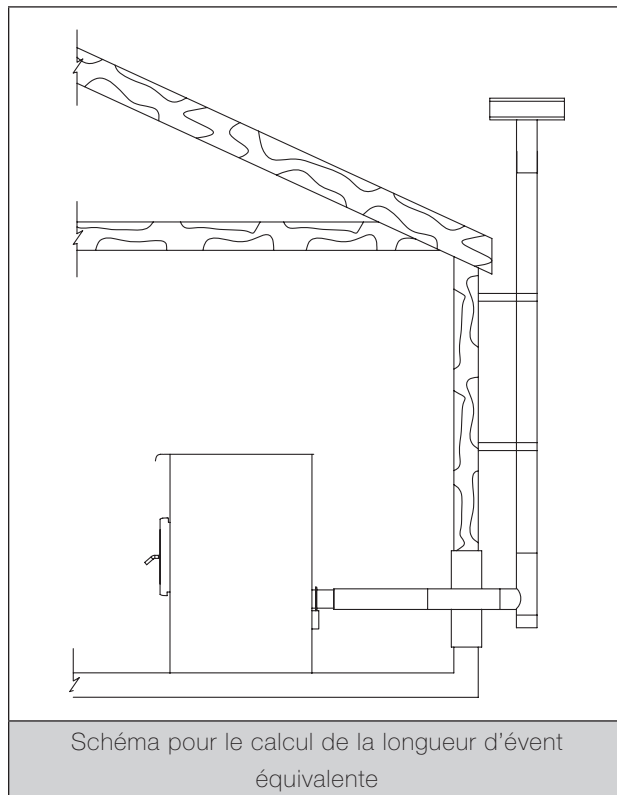
## Longueur d'évent équivalente (LEE)

Le diamètre intérieur du tuyau d'évent recommandé est de 3" pour une installation au rez-de-chaussée. Un tuyau de 4" est recommandé pour une installation au sous-sol ou si la longueur d'évent équivalente (LEE) est de plus de 15 pieds.

Pour calculer la longueur d'évent équivalente d'une installation, se référer au tableau suivant:

Qté	Type de tuyau	Longueur équivalente (LEE)
1	Coude 90° ou Té	5 pieds
1	Coude 45°	3 pieds
1 pied	Tuyau horizontal	1 pied
1 pied	Tuyau vertical	½ pied

Exemple de calcul pour une installation au rez-de-chaussée:



long. horizontale de 2 pi. (2 X 1' LEE)	= 2' de LEE
Coude 90° ou Té (1 X 5' LEE)	= 5' de LEE
long. vert. de 12 pi. (12 X 0.5' LEE)	= 6' de LEE
Terminaison / Chapeau	= 0' de LEE
<hr/>	
Total LEE	= 13' de LEE

Puisque la LEE totale est de moins de 15 pieds, le diamètre intérieur du tuyau d'évent recommandé est de 3".

*Ne jamais dépasser 30 pieds de LEE.*

*Les longueurs de tuyaux horizontales ne doivent pas dépasser 9 pieds.*

*Pour réduire le risque de refoulement de fumée, il devrait toujours y avoir au moins un pied d'élévation verticale pour chaque pied de course horizontale.*

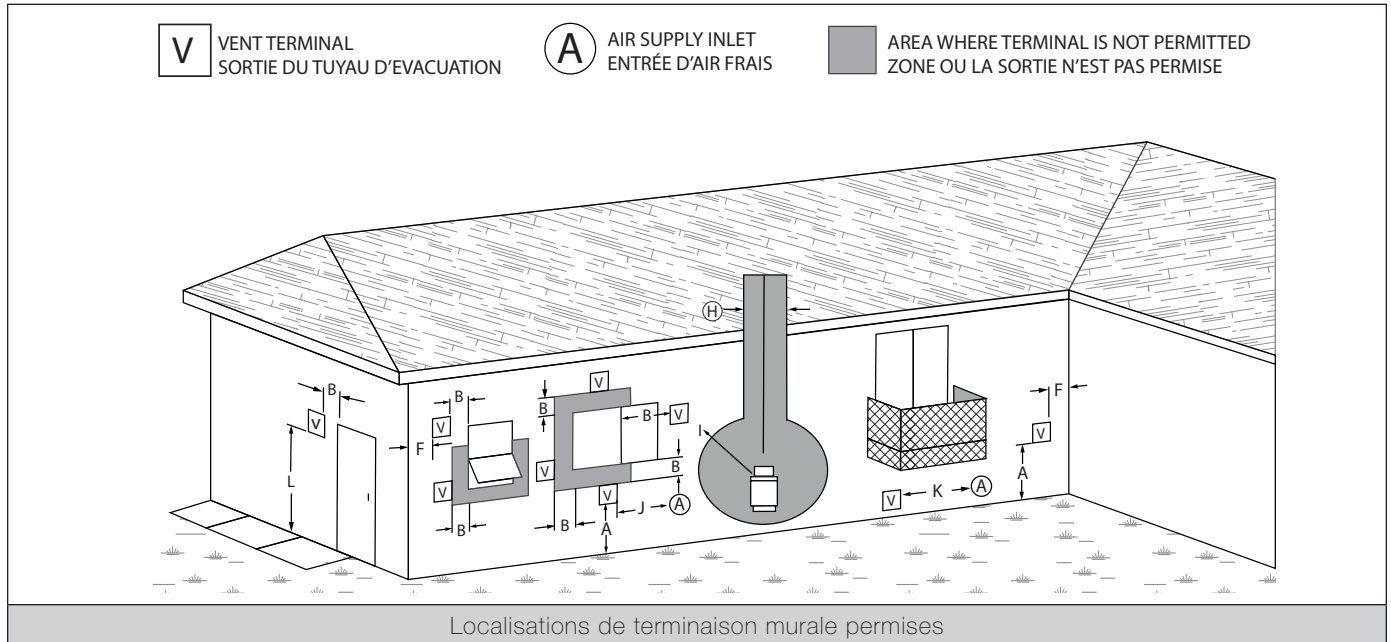
**DANS TOUS LES CAS, UN MINIMUM DE TROIS PIEDS DE COURSE VERTICALE EST REQUIS.**

## TERMINAISON MURALE

Se référer à la norme NFPA 211 ou CSA B365 pour en apprendre davantage sur les règlements relatifs à la distance de la terminaison murale par rapport aux fenêtres et aux portes. La terminaison murale d'un système doté d'un tirage mécanique, autre qu'un appareil à évacuation directe, doit être située conformément aux spécifications suivantes :

*La terminaison ne devrait pas être localisée dans un endroit où les gaz d'échappement peuvent présenter un danger. Les gaz d'échappement peuvent atteindre 500 °F (260°C) et causer des brûlures sérieuses.*

*Une terminaison murale ne peut se trouver en dessous d'une véranda, d'un patio ou d'un balcon et ne doit pas être installée au-dessus d'un trottoir ou d'une entrée située entre deux maisons unifamiliales et utilisée par les deux habitations.*



FRANÇAIS

### Canada

	DÉGAGEMENTS	DESCRIPTION
A	12" (30 cm)	Dégagement au-dessus du niveau du sol ou de toute surface adjacente pouvant supporter la neige, la glace ou les débris.
B	39" (100 cm)	Dégagement autour d'une fenêtre ou d'une porte qui peut s'ouvrir.
F	39" (100 cm)	Dégagement d'un coin, d'un mur adjacent ou de tout autre matériel combustible.
H	39" (100 cm)	Dégagement de chaque côté à partir du centre d'un régulateur/compteur à gaz et se prolongeant verticalement à 15 pi.
I	72" (183 cm)	Dégagement de la sortie de l'évent d'un régulateur à gaz ou 39" (100 cm) de l'évent ou de l'orifice de remplissage d'un réservoir d'huile.
J	39" (100 cm)	Dégagement de l'entrée d'air de combustion d'un autre appareil.
K	72" (183 cm)	Dégagement d'une entrée d'air mécanique.
L	84" (213 cm)	Dégagement au-dessus d'un trottoir revêtu ou d'une entrée revêtue située sur une propriété publique.
	39" (100 cm)	Dégagement par rapport à la limite de la propriété.

## États-Unis

DÉGAGEMENTS	DESCRIPTION
36" (91 cm)	Dégagement au-dessus de toute prise d'air forcé située à moins de 120" (305 cm).
48" (122 cm)	Dégagement horizontal et en dessous d'une fenêtre, porte, ou toute autre prise d'air fonctionnant par gravité.
12" (30 cm)	Dégagement au-dessus d'une fenêtre, porte, ou toute autre prise d'air fonctionnant par gravité.
24" (61 cm)	Dégagement d'une bâtisse adjacente.
84" (213 cm)	Dégagement au-dessus du trottoir si la terminaison est adjacente à une voie publique.
12" (30 cm)	Dégagement au-dessus du niveau du sol.
36" (91 cm)	La terminaison ne peut être située au-dessus d'un compteur de gaz/régulateur dans un rayon de 36" (91 cm) de la ligne centrale du régulateur.
72" (183 cm)	Dégagement de la sortie d'évent d'un régulateur de gaz.

### Système d'évacuation direct

Un système d'évacuation est appelé direct lorsque l'évacuation et l'entrée d'air se font par le même conduit. Le conduit interne sert à l'évacuation tandis que le conduit externe fournit l'air de combustion à l'appareil.

#### *Canada*

Les localisations permises pour la terminaison murale d'un système d'évacuation direct sont les mêmes que celles permises pour la terminaison murale d'un système d'évacuation pour granules standard.

#### *États-Unis*

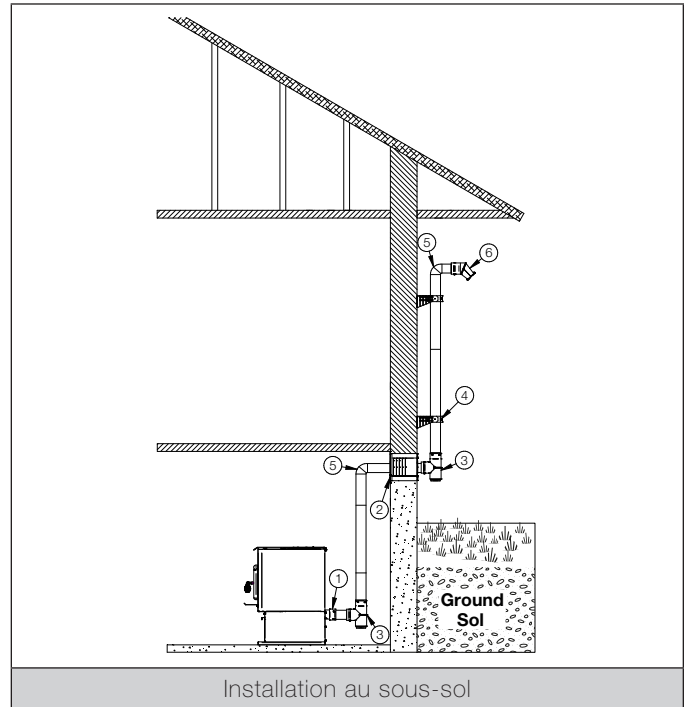
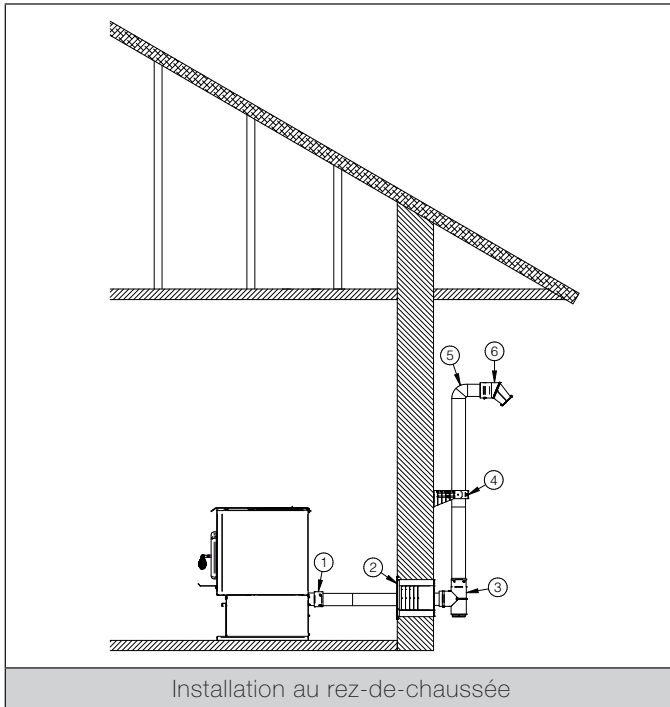
Les localisations permises pour la terminaison murale d'un système d'évacuation direct sont les mêmes que celles permises pour la terminaison murale d'un système d'évacuation pour granules standard sauf pour la suivante : La terminaison doit être à une distance minimale de 9" (23 cm) de toute ouverture par laquelle les gaz de combustion pourraient entrer dans le bâtiment.

## CONFIGURATIONS D'INSTALLATION DU SYSTÈME D'ÉVENT



Brûler des combustibles solides génère du monoxyde de carbone en faible concentration. À des concentrations plus élevées, **le monoxyde de carbone est toxique et peut causer la mort**. Afin d'éviter un empoisonnement, **le système d'évent doit être étanche**. Tous les joints doivent être scellés et fixés conformément aux instructions d'installation du fabricant d'évent.

### À travers le mur



FRANÇAIS

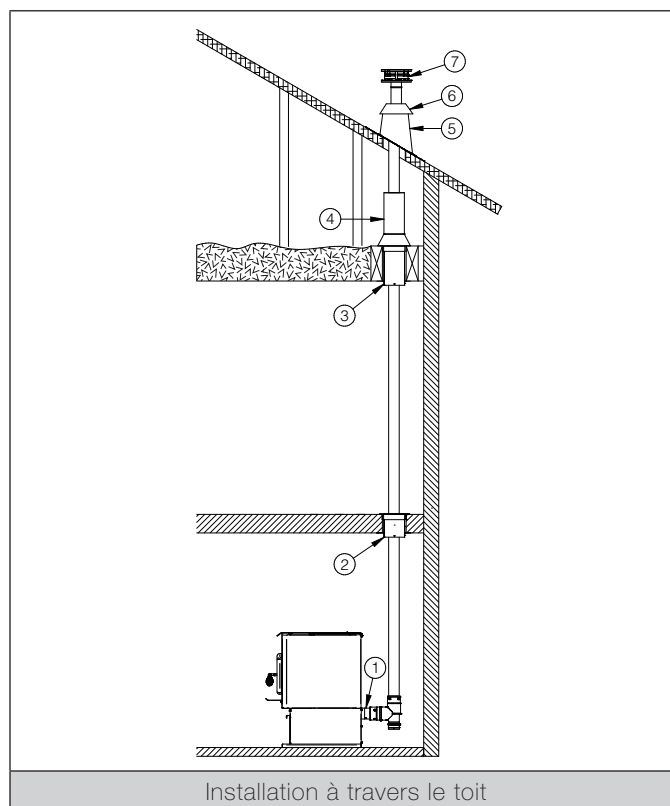
1. Positionner le poêle en respectant les dégagements du fabricant de l'appareil et du système d'évent.
2. Installer un connecteur pour poêle **(1)** ou un té sur la buse de raccordement. Sceller avec du silicone haute température. Au besoin, utiliser une longueur additionnelle horizontale entre la buse d'évacuation et le té.
3. Localiser la position du tuyau d'évacuation dans le mur et couper un trou dans le mur de la taille appropriée pour le coupe-feu mural.
4. Installer le coupe-feu mural **(2)** selon les instructions du fabricant.
5. Raccorder suffisamment de sections pour faire dépasser le tuyau horizontal du mur extérieur. Installer un té **(3)** sur le tuyau qui traverse le mur.
6. Installer une section de tuyau verticale d'une longueur d'au moins 36". Se référer aux instructions du fabricant d'évent pour les dégagements aux matériaux combustibles (mur extérieur) ainsi que pour l'utilisation de supports muraux **(4)**.
7. Installer un coude 90 degrés **(5)** face opposée au mur, puis fixer un chapeau d'évent en acier inoxydable **(6)**, faisant face vers le sol (un coude à 45 degrés ou un chapeau d'évent horizontal peuvent être utilisés). Un grillage pare-étincelles doit être fixé sur le chapeau d'évent.

*L'installation d'un grillage pare-étincelles sur la terminaison de l'évent est obligatoire.*

8. Sceller le coupe-feu mural extérieur à l'aide de silicone.

## À travers le toit

Lorsqu'un tuyau d'évent traverse un grenier ou un entretoit, un placard ou tout espace confiné, un plancher ou un plafond, seulement les composants approuvés du système d'évent doivent être utilisés. Pour traverser un mur ou une cloison en matériau combustible, l'installation doit être conforme à la norme CSA-B365 pour les appareils et équipements à combustible solide.

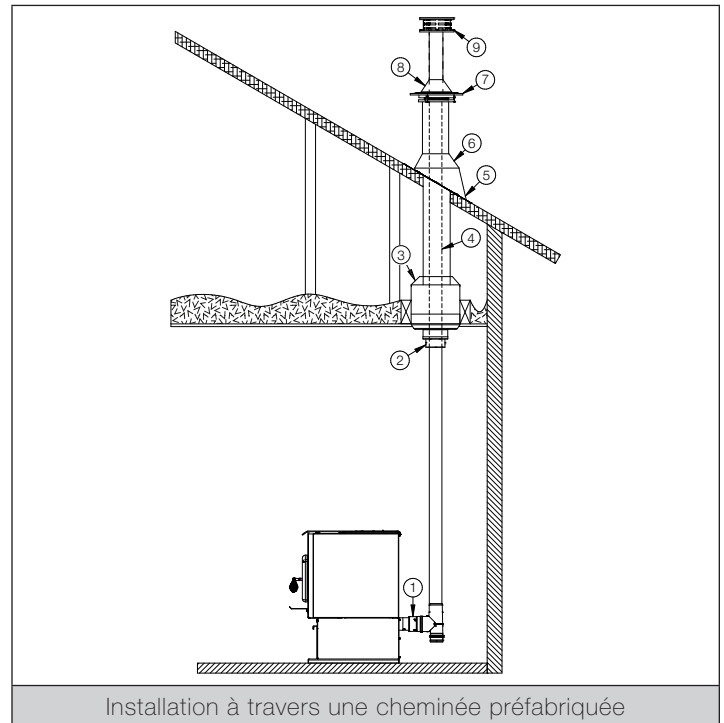


1. Positionner le poêle en suivant les dégagements du fabricant de l'appareil et du système d'évent.
2. Installer un connecteur pour poêle **(1)** ou un té sur la buse d'évacuation. Sceller avec du silicone haute température. Au besoin, utiliser une longueur additionnelle horizontale entre la buse d'évacuation et le té.
3. Utiliser un fil à plomb pour déterminer l'emplacement où le tuyau d'évacuation traversera le plafond et le toit.
4. Découper un trou dans le plafond et dans le toit et faire un châssis autour de l'ouverture brute. Se référer aux instructions du fabricant d'évent pour les dimensions et les règles de construction.
5. Installer un support de plafond **(2)** dans l'ouverture brute et la première section de tuyau d'évent en suivant les instructions du fabricant.
6. Installer un coupe-feu radiant **(3)** pour tous les plafonds/planchers subséquents, sauf pour le grenier où un coupe-feu pour grenier **(4)** est requis.
7. Raccorder le nombre de sections de tuyaux requis afin que le chapeau dépasse le toit d'au moins 24" aux États-Unis et d'au moins 36" au Canada.
8. Fixer le support de toit.
9. Installer le solin **(5)**, le collet de solin **(6)** et le chapeau de cheminée **(7)** selon les instructions du fabricant.

## À travers une cheminée préfabriquée

Ce type d'installation est habituellement utilisé lorsqu'un appareil au bois est remplacé par un appareil aux granules.

**La cheminée préfabriquée doit être nettoyée et inspectée par un ramoneur ou un installateur qualifié. Toute la créosote doit être retirée de la cheminée existante avant de raccorder le système d'évent.**



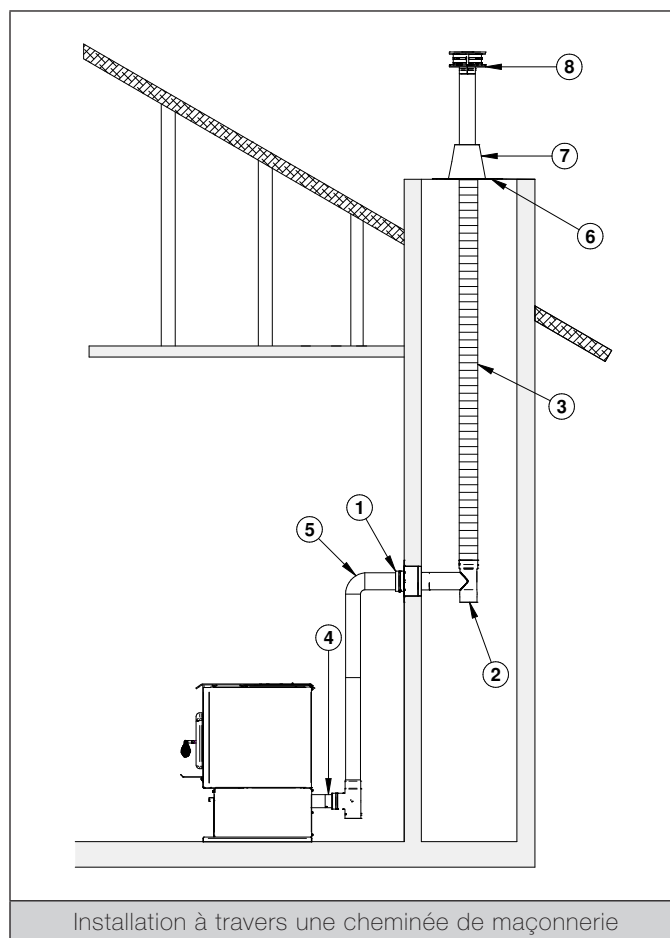
1. Retirer tout conduit de cheminée existant reliant l'appareil de chauffage à l'adaptateur universel déjà installé dans le support de plafond.
2. Positionner le poêle en respectant les dégagements du fabricant de l'appareil et du système d'évent.
3. Installer un connecteur pour poêle **(1)** ou un té sur la buse d'évacuation. Sceller avec du silicone haute température. Au besoin, utiliser une longueur additionnelle horizontale entre la buse d'évacuation et le té.
4. Installer l'adaptateur de cheminée **(2)** approprié. L'adaptateur doit être installé sur l'adaptateur universel **(3)** avec un minimum de trois vis.
5. Raccorder le nombre de sections de tuyaux d'évent requis pour passer à travers l'adaptateur de cheminée jusque dans la cheminée.

*Il est permis, mais non recommandé, de laisser la cheminée préfabriquée évacuer naturellement les gaz de combustion.*

6. Il est fortement recommandé de soit passer l'évent au travers de la cheminée préfabriquée ou de raccorder le tuyau d'évent à une gaine en acier inoxydable **(4)**, conformément aux instructions du fabricant du système d'évent.
7. S'assurer que l'installation du solin **(5)** et du collet de solin **(6)** est conforme et qu'ils sont en bonne condition. Installer un cap de cheminée **(7)** et un deuxième collet de solin **(8)**. Laisser au moins 1/2" d'espace entre les deux pour laisser évacuer la chaleur. Sceller le collet de solin avec l'évent granules ou la gaine avec du silicone haute température.
8. L'évent granules ou la gaine devrait dépasser la cheminée préfabriquée d'au moins 12". Installer le chapeau de cheminée **(9)** selon les instructions du fabricant.

## À travers une cheminée maçonnerie

La condition structurelle de la cheminée de maçonnerie doit tout d'abord être inspectée par un ramoneur ou un installateur qualifié.

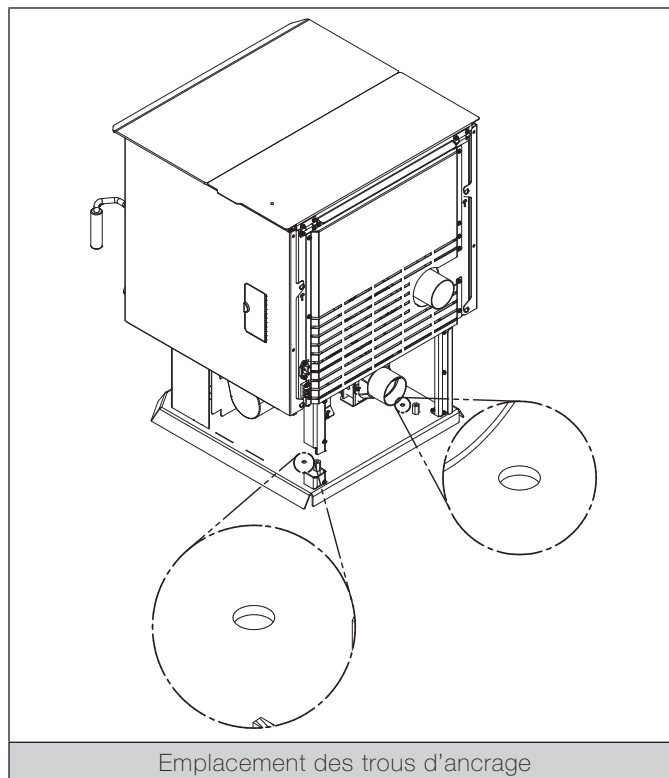


1. Positionner le poêle en respectant les dégagements du fabricant de l'appareil et du système d'évent.
2. Faire une marque à l'endroit où le tuyau d'évent doit entrer dans la maçonnerie. Faire un trou dans la maçonnerie du diamètre suggéré par le fabricant d'évent. Installer un adaptateur de maçonnerie **(1)**.
3. Raccorder un té avec section horizontale amovible **(2)** à la partie inférieure d'une gaine en acier inoxydable **(3)**, conformément aux instructions du fabricant du système d'évent. Calculer une longueur de gaine flexible ou rigide égale à la longueur de la cheminée, à partir de la marque et ajouter 12". Le centre de la buse de raccordement du té doit être aligné avec le centre du trou dans la maçonnerie.
4. Installer un connecteur pour poêle **(4)** ou un té sur la buse d'évacuation. Sceller avec du silicone haute température. Au besoin, utiliser une longueur additionnelle horizontale entre la buse d'évacuation et le té.
5. Installer une longueur de tuyau verticale suffisante pour rejoindre l'adaptateur de maçonnerie. Ajouter un coude **(5)** et relier la section verticale à l'adaptateur de maçonnerie avec une section coulissante.
6. Installer la plaque supérieure **(6)**, le collet de solin **(7)** et le chapeau de cheminée **(8)** selon les instructions du fabricant.

## MAISON MOBILE

Lorsqu'installé dans une maison mobile, ce poêle doit :

- Être raccordé à un système d'évent homologué
  - **Au Canada**, selon la norme ULC/ORD C441 ou CAN/ULC S609. Une cheminée répondant aux exigences des normes ULC S629M peut aussi être utilisée.
  - **Aux États-Unis**, selon la norme UL 641. Une cheminée répondant aux exigences de la norme UL 103 peut aussi être utilisée.
- Être relié à une source d'air de combustion extérieure (entrée d'air frais).
- Être fixé à la structure de la maison mobile avec deux vis. Utiliser les deux trous d'ancrage situés de chaque côté du socle.



**ATTENTION : IL EST INTERDIT D'INSTALLER CE POËLE DANS UNE CHAMBRE À COUCHER.**



**MISE EN GARDE : L'INTÉGRITÉ STRUCTURALE DU PLANCHER, DES MURS, DU PLAFOND ET DU TOIT DE LA MAISON MOBILE DOIT ÊTRE MAINTENUE.**



# INSTALLATION D'UN THERMOSTAT

## Localisation

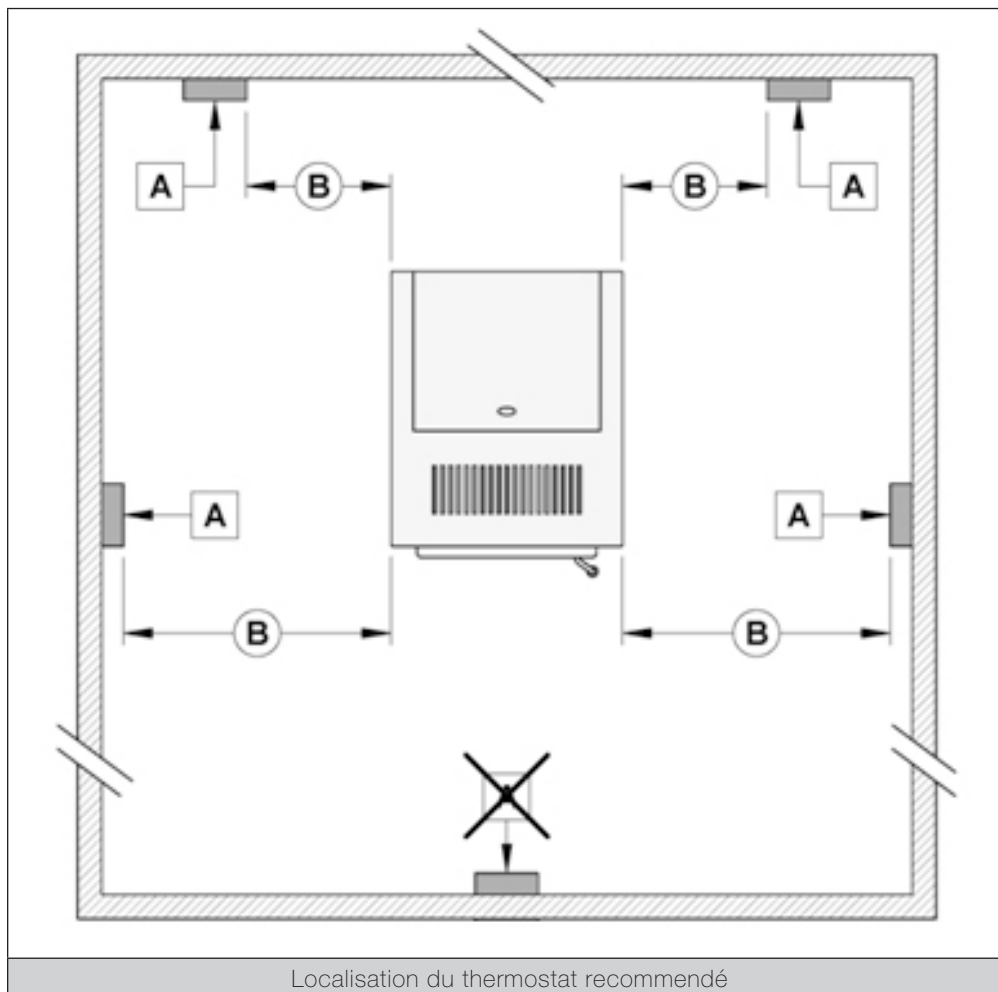
L'utilisation d'un thermostat aidera à maintenir une température plus constante dans la maison. Un thermostat à bas voltage (24 volts) est nécessaire. Un thermostat mural fixe ou télécommandé peut être utilisé.

La localisation du thermostat est très importante afin d'obtenir un maximum de confort et d'efficacité. Le thermostat devrait être installé 4 à 5 pieds au-dessus du sol, ou en conformité avec les codes du bâtiment applicables. Il devrait être dans un endroit qui offre une bonne circulation d'air et s'il est installé dans la même pièce que le poêle, il devrait être situé à environ 12 pieds du poêle.

Éviter l'installation dans les zones suivantes:

- Derrière une porte;
- Sous les rayons directs du soleil;
- Près des coins;
- Près de tous dispositifs générateurs de chaleur;
- Près des bouches d'aération;
- Sur un mur extérieur;
- Près des systèmes d'éclairage;
- Directement en face du poêle.

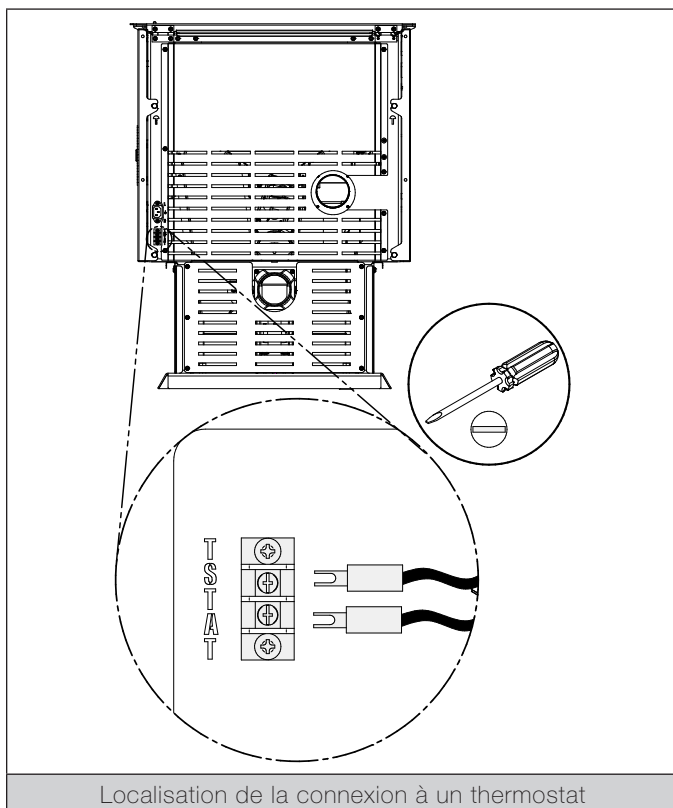
*L'installation du thermostat devant le poêle ou devant une fenêtre aura pour effet d'arrêter et redémarrer le poêle continuellement et usera prématurément les composants. Se référer au manuel d'opération pour plus de détails sur l'utilisation appropriée du mode pilote.*



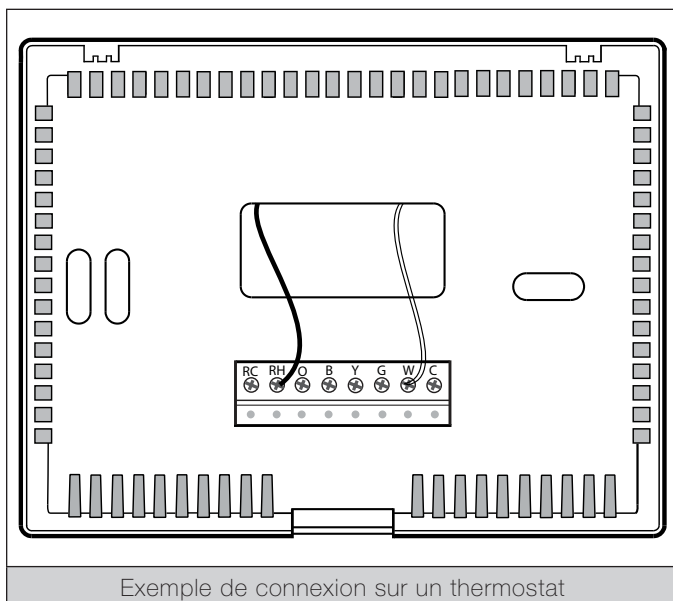
## Branchement

Les instructions du fabricant du thermostat ont toujours préséance sur les informations publiées dans la section suivante.

1. Débrancher le cordon d'alimentation de la prise de courant.
2. Connecter les deux fils du thermostat à la borne située à l'arrière sur le côté droit du poêle en lui faisant face. Pour ce faire, desserrer les deux vis du milieu du bornier et insérer les fils dans les bornes. Serrer les deux vis.
3. Ouvrir le boîtier du thermostat et brancher les fils en suivant les instructions du fabricant.



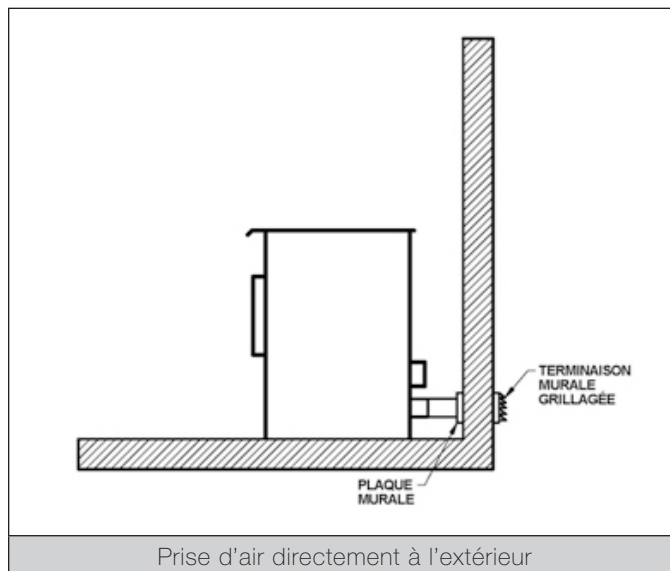
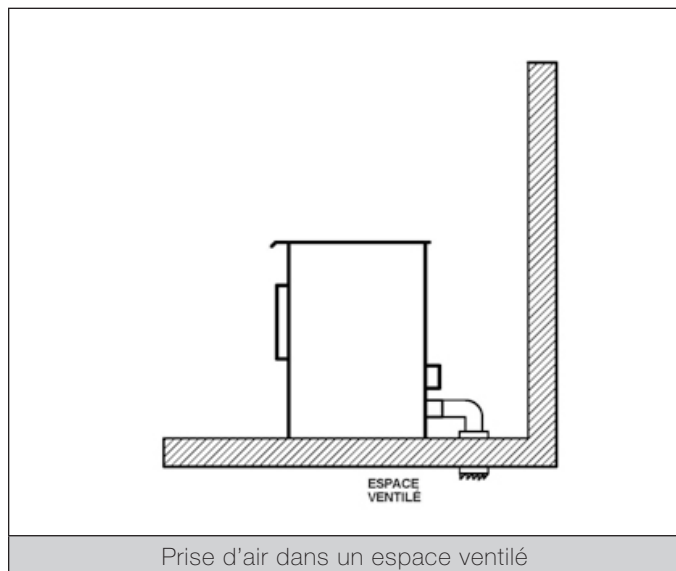
4. Raccorder un fil sur «RH» et l'autre fil sur «W». Pour de plus amples informations, se référer aux instructions du fabricant du thermostat.



## ENTRÉE D'AIR FRAIS

Il est recommandé, parfois même obligatoire selon les autorités locales, d'installer une entrée d'air frais dans ou à proximité de la pièce où est installé le poêle.

Il est interdit de puiser l'air du sous-sol, du grenier, d'un garage ou de tout espace clos. L'air doit être puisé à partir d'un vide sanitaire ventilé sous le plancher ou directement à l'extérieur.



FRANÇAIS



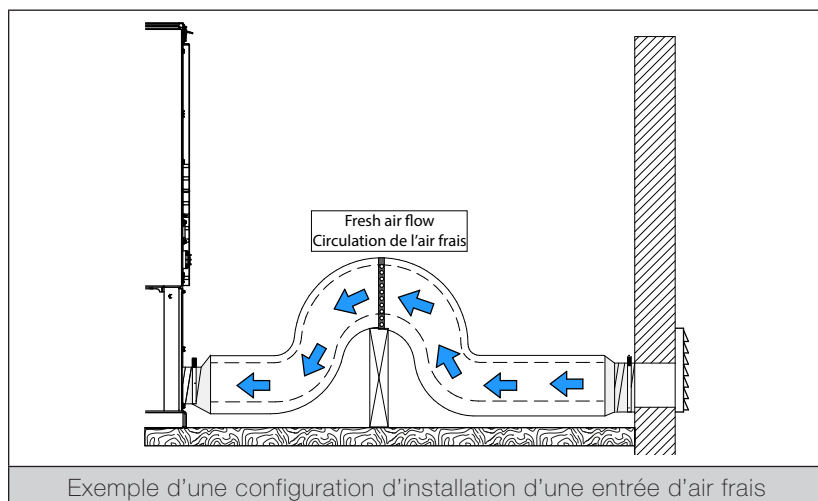
**L'ENTRÉE D'AIR FRAIS DOIT ÊTRE SITUÉE SOUS, ET À UNE DISTANCE D'AU MOINS 12" (30CM) DE LA SORTIE D'ÉVACUATION.**

Lorsque l'entrée d'air est installée sur un mur extérieur, il est préférable de choisir un mur qui n'est pas exposé aux vents dominants puisque la pression peut varier par temps venteux. Choisir un emplacement adapté aux conditions entourant la maison.

Le registre d'air extérieur ne doit jamais être obstrué par la neige, la glace ou tout autre objet.

### Installation

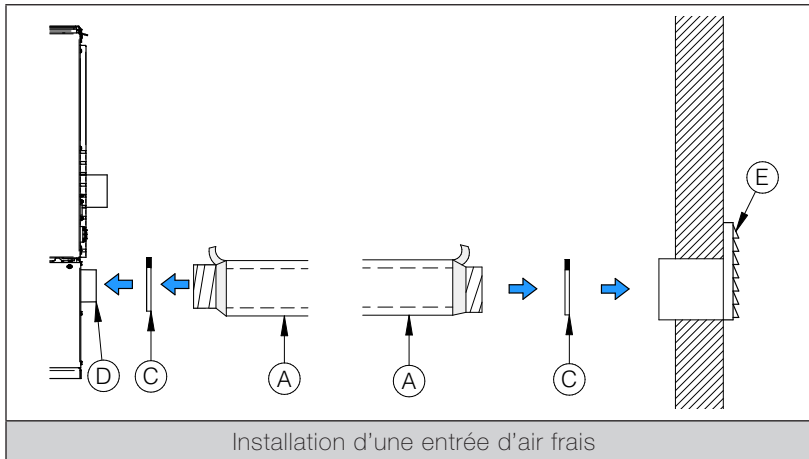
La configuration d'installation et la longueur du conduit isolé doit permettre d'éviter la condensation (voir figure ci-dessous).



1. Installer un conduit isolé de 3" de diamètre intérieur, souple ou rigide, de type HVAC (doit être conforme aux normes ULC S110 ou UL 181, classe 0 ou classe 1) sur l'adaptateur d'air frais **(D)**. Pour ce faire, retirer délicatement l'isolant et l'enveloppe de plastique, pour exposer le tuyau flexible. Fixer le tuyau flexible au registre à l'aide de collets de serrage ou de ruban métallique **(C)**.

*Toutes les connexions doivent être scellées, soit en utilisant un collet de serrage de la taille appropriée ou du ruban métallique UL181-AP.*

2. Faire un trou de 1/4" à 1/2" (6 mm à 13 mm) de plus que le diamètre du conduit dans le mur extérieur de la maison, à l'endroit choisi.



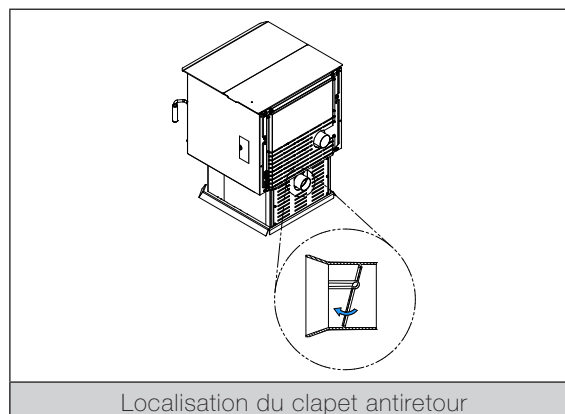
3. De l'extérieur, placer le registre d'air extérieur **(E)** dans le trou (la face ouverte vers le bas) et fixer le registre au mur à l'aide de vis.

*Le registre d'air extérieur doit avoir une protection contre les rongeurs, fabriqué d'un treillis métallique de minimum 1/4".*

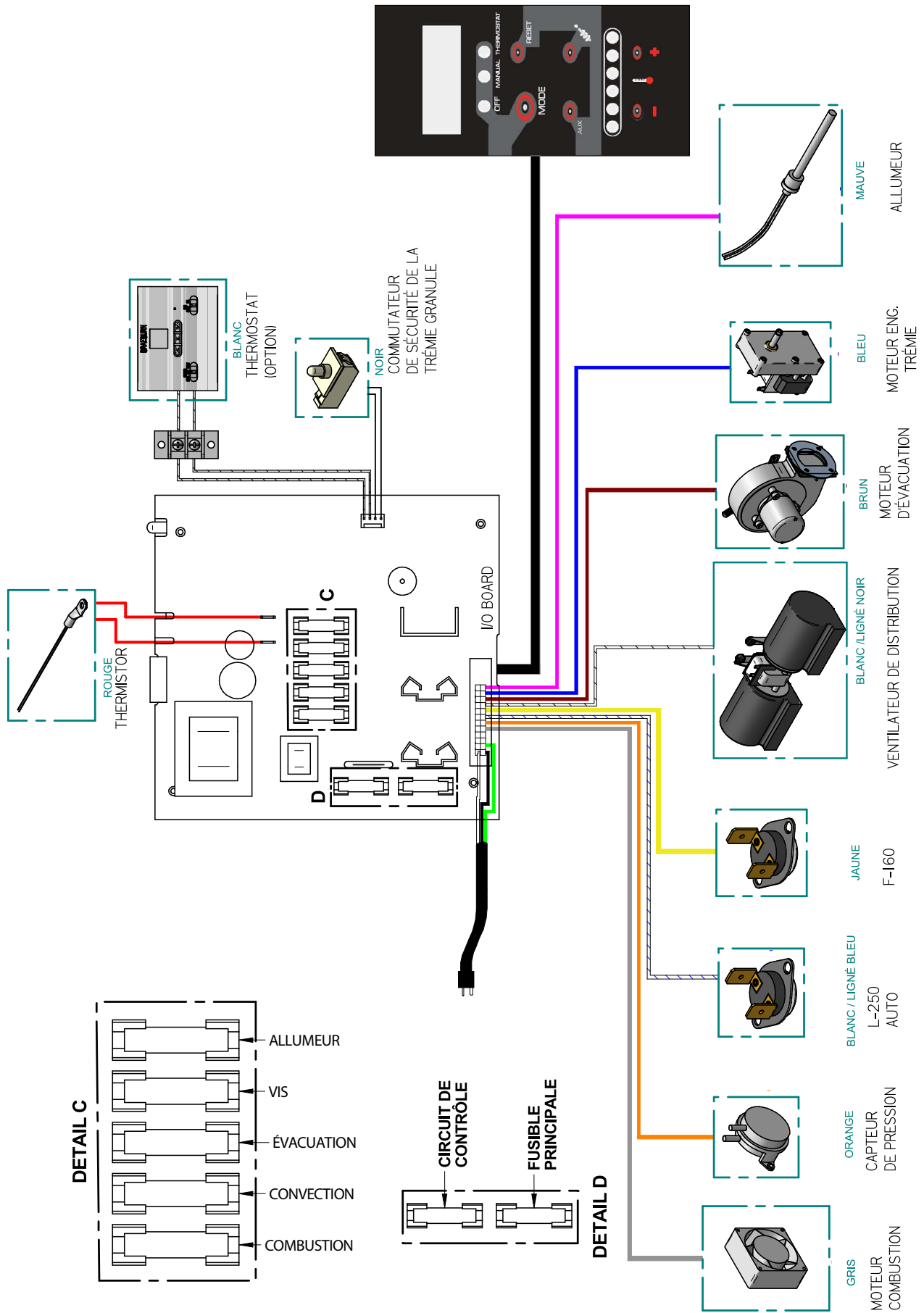
4. Installer le conduit isolé **(A)** sur le tube du registre mural extérieur **(E)**. Pour ce faire, retirer délicatement l'isolant et l'enveloppe de plastique, pour exposer le tuyau flexible. Fixer le tuyau flexible au registre à l'aide de collets de serrage ou de ruban métallique **(C)**.

*Toutes les connexions doivent être scellées, soit en utilisant un collet de serrage de la taille appropriée ou du ruban métallique UL181-AP.*

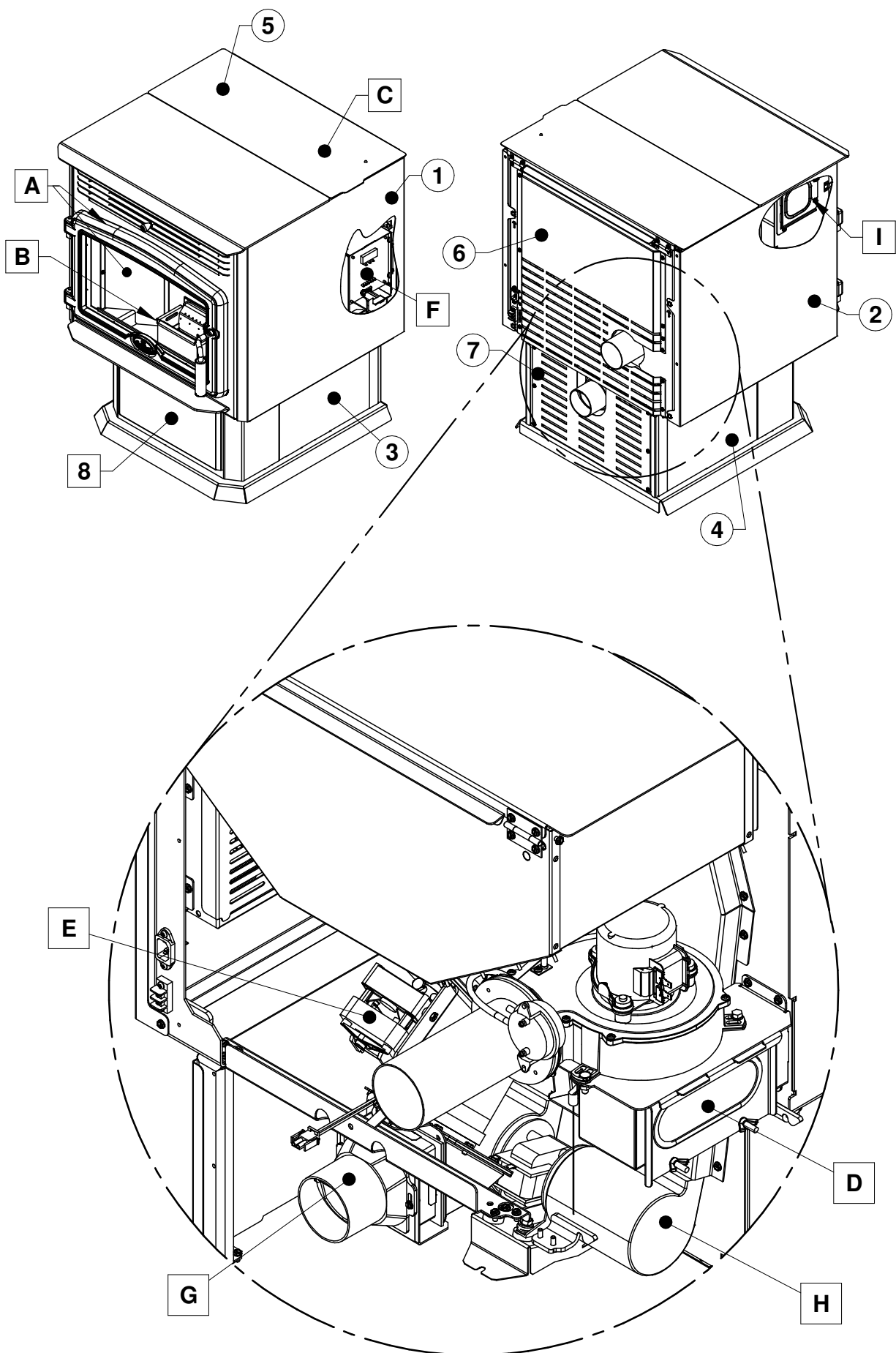
5. Coller du ruban métallique autour du joint entre le tuyau flexible et les prises d'air. Replacer délicatement l'isolant et l'enveloppe de plastique sur le tuyau. Fixer le plastique à l'aide de ruban métallique.
6. S'assurer que le clapet antiretour de l'entrée d'air frais, situé à l'arrière du poêle, fonctionne librement.



# SCHÉMA ÉLECTRIQUE

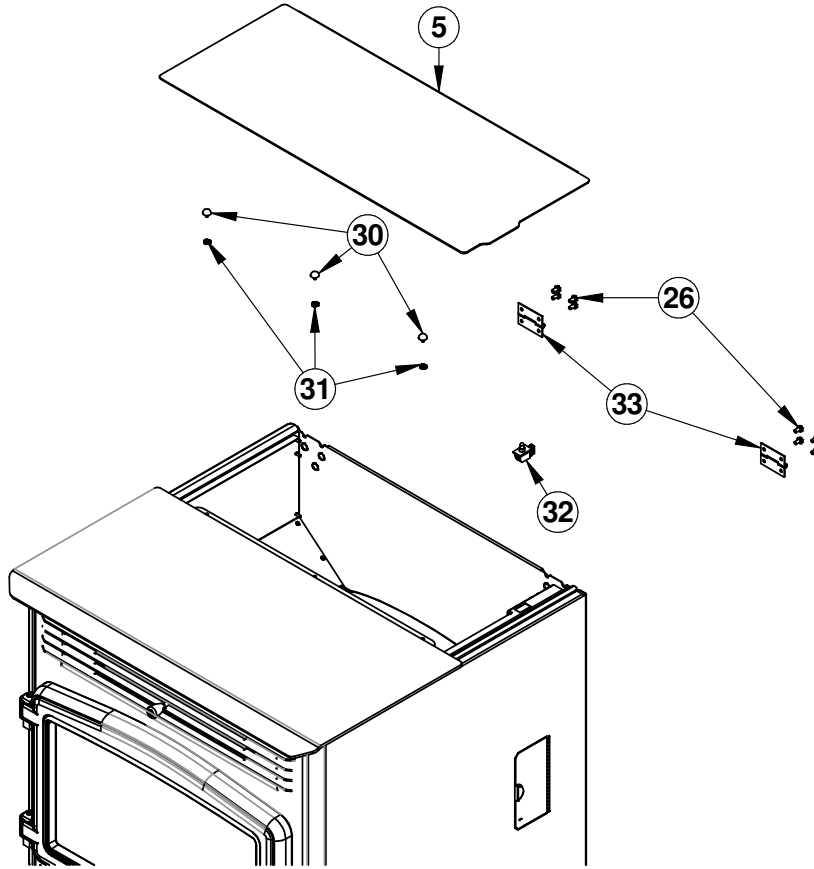


# VUE EXPLOSÉE ET LISTE DE PIÈCES

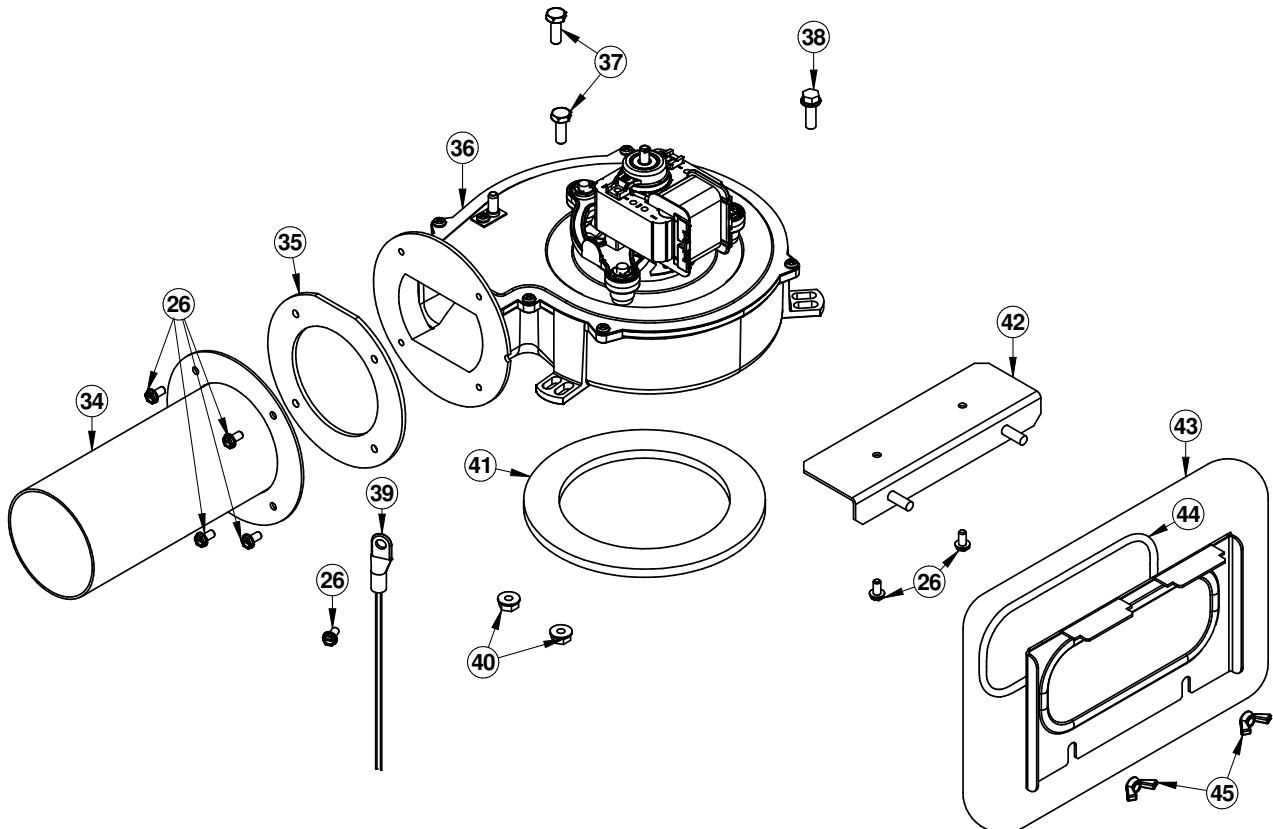




### SECTION C

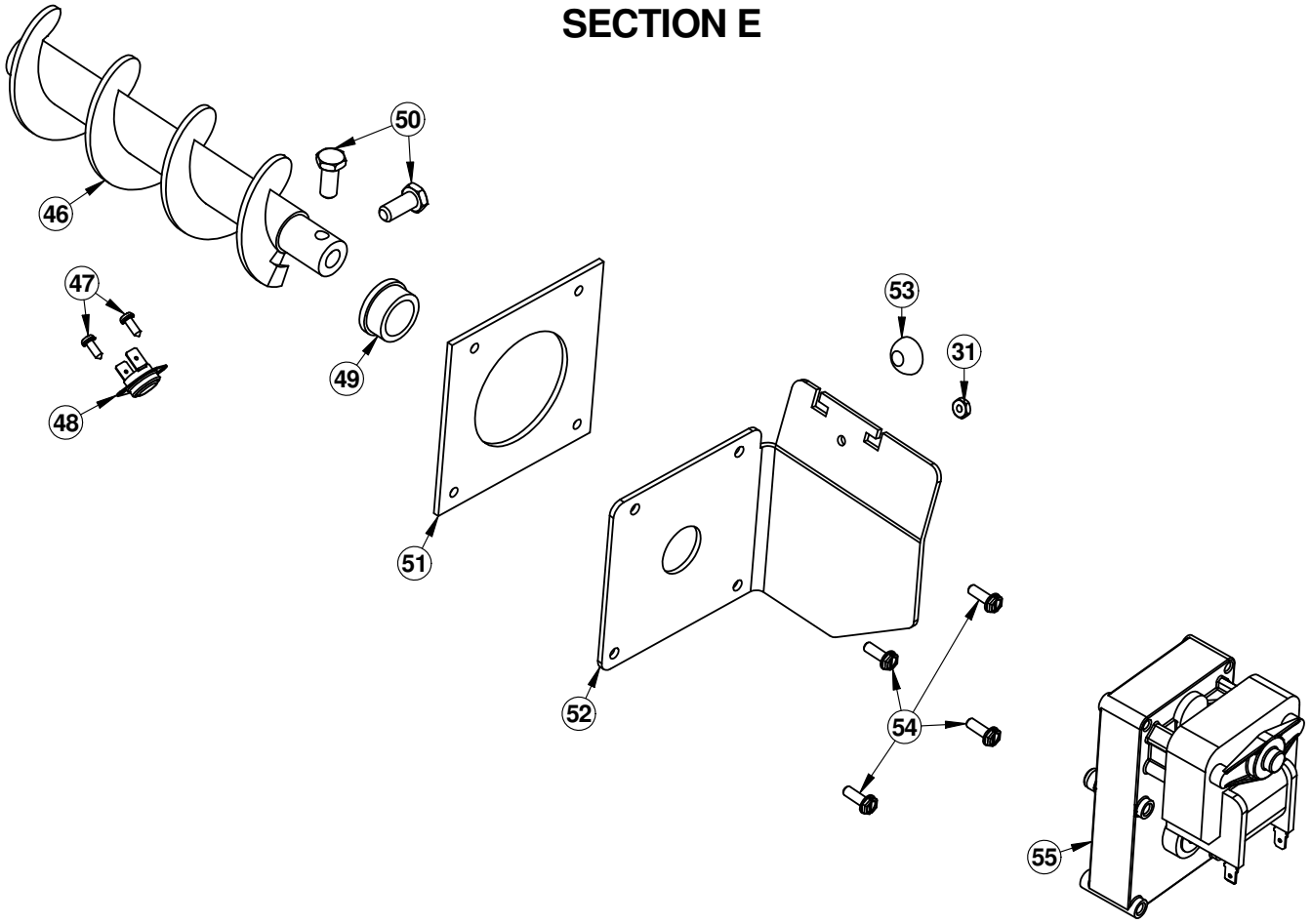


### SECTION D



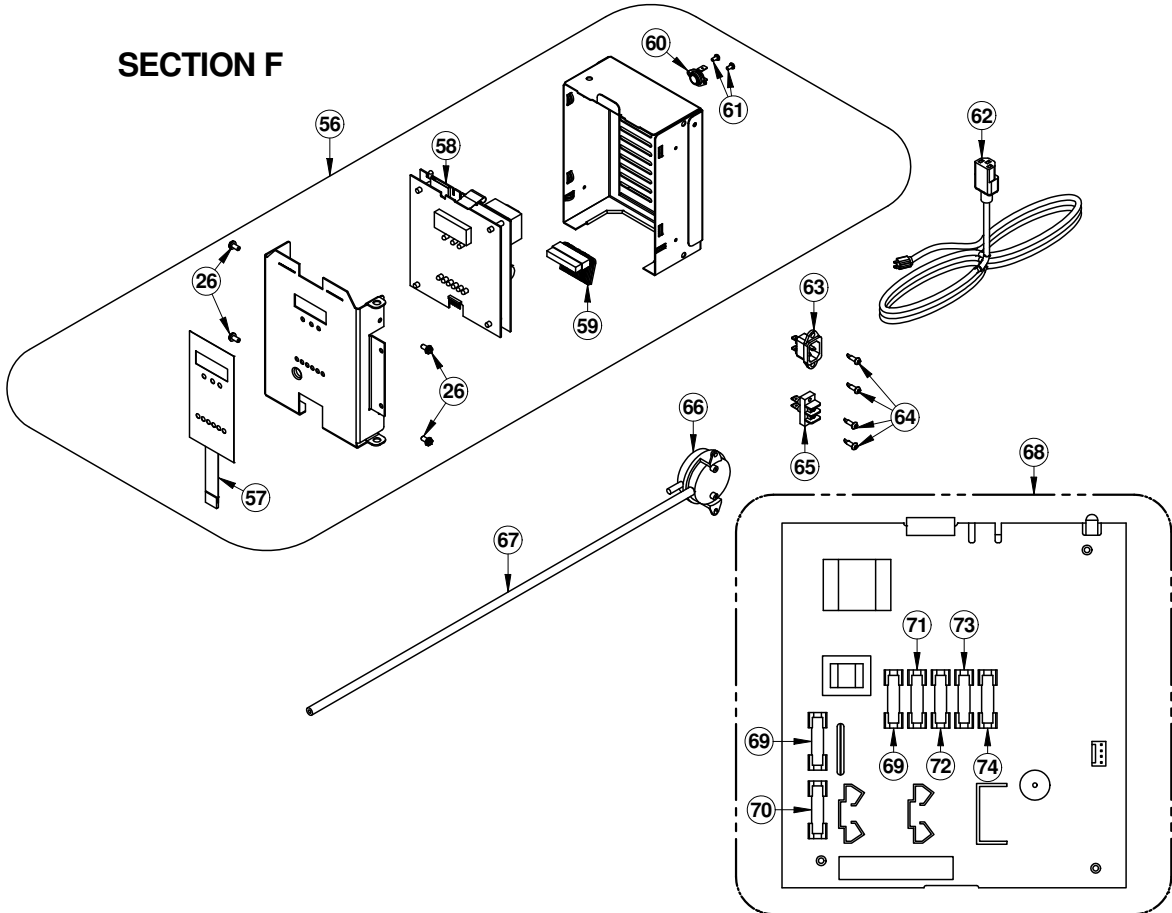


# SECTION E

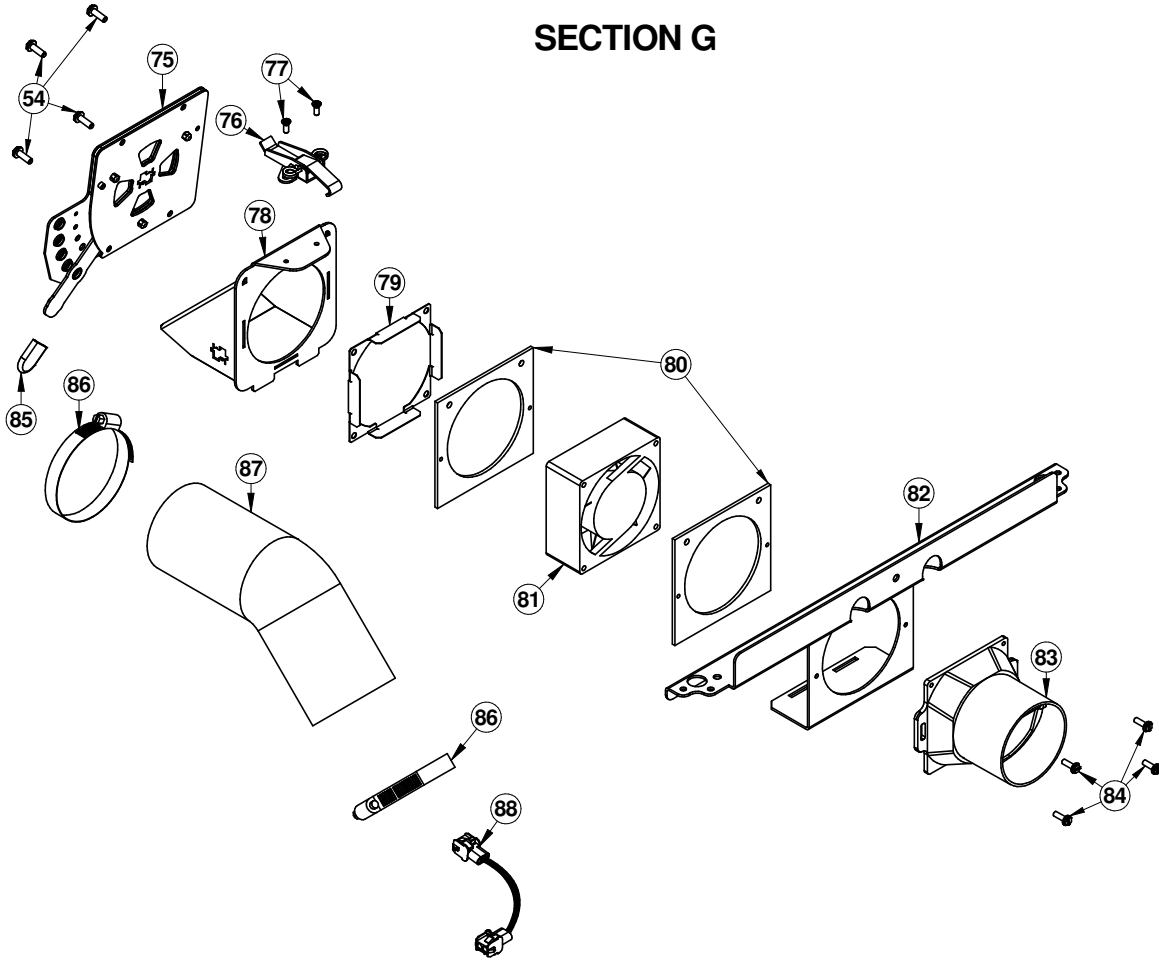


FRANÇAIS

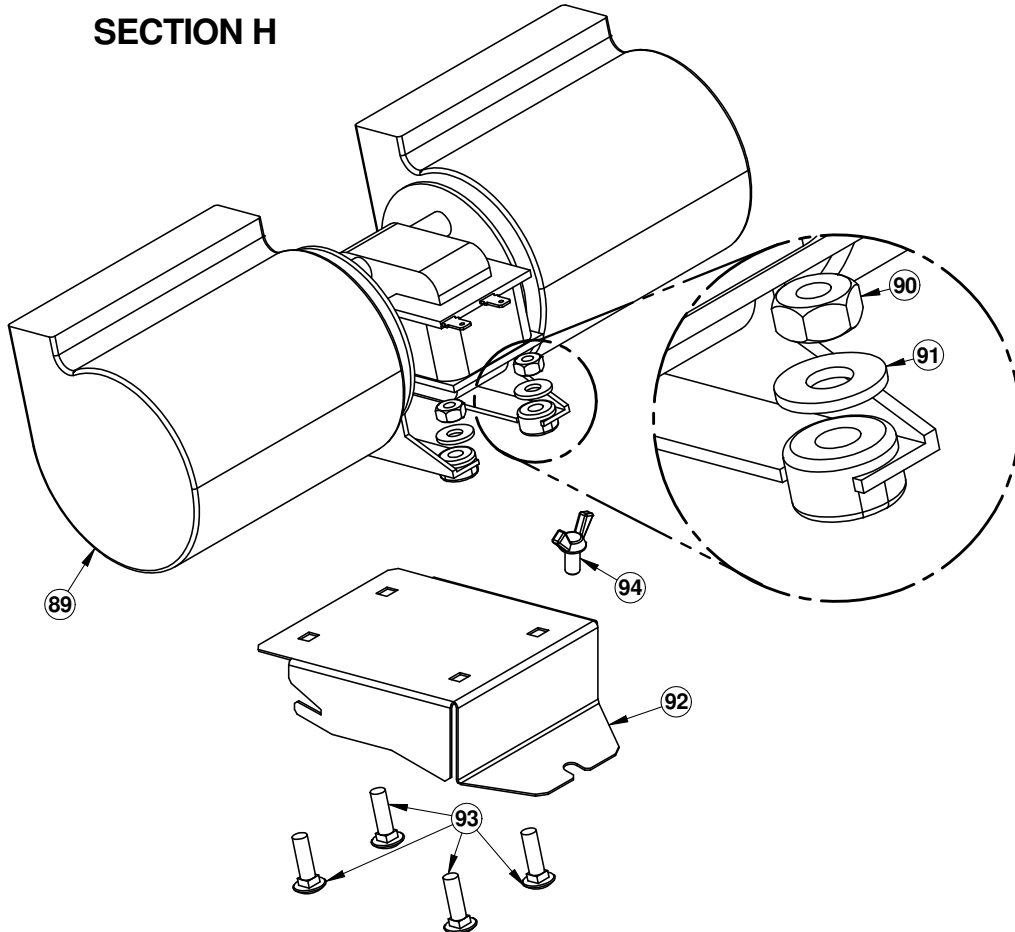
# SECTION F



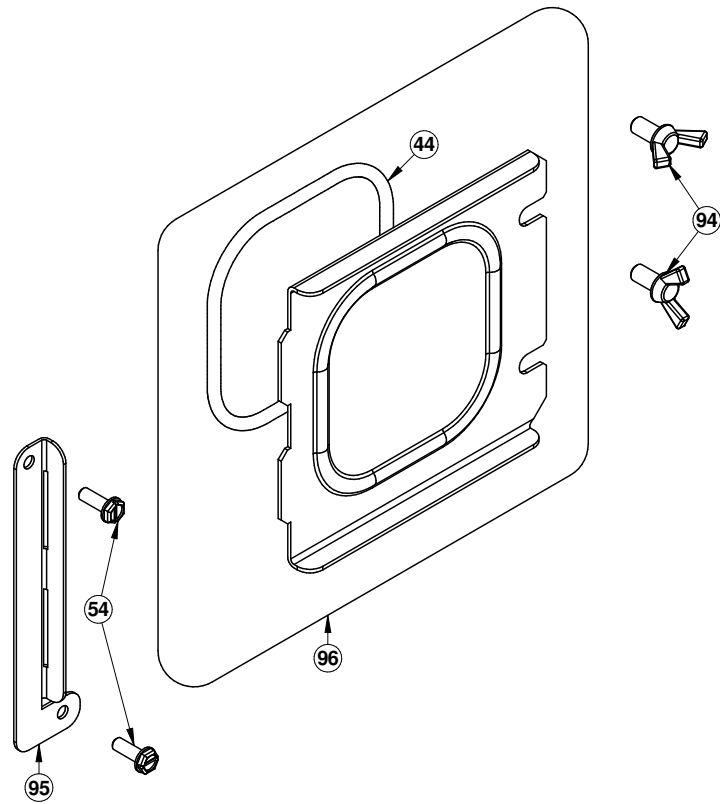
SECTION G



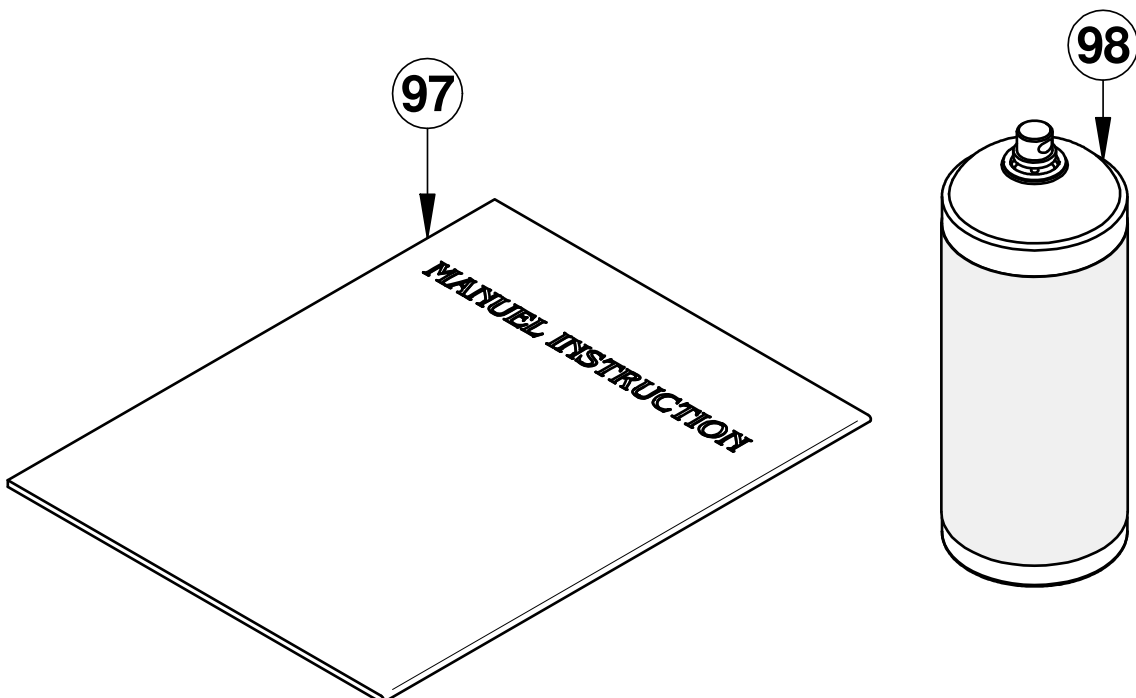
SECTION H



## SECTION I



## SECTION J



No.	Pièces	Description	Qté
1	SE69865	PANNEAU DÉCORATIF DROIT ASSEMBLÉ	1
2	PL69866	PANNEAU DÉCORATIF GAUCHE	2
3	PL69869	PANNEAU DECO BAS DROITE	1
4	PL69868	PANNEAU DECO BAS GAUCHE	1
5	PL69895	COUVERCLE DE TRÉMIE	1
6	PL69794	TÔLE DE DOS	1
7	PL69795	TÔLE DE DOS BAS	1
8	SE69870	TIROIR À CENDRE	1
9	30742	POIGNÉE DE PORTE EN BOIS NOIRE PERFORÉE	1
10	PL69897	POIGNÉE DE PORTE AMOVIBLE	1
11	30363	GOUPILLE CYLINDRIQUE 5/16" X 2"	2
12	SE24124-02	PORTE DE FONTE AVEC POIGNÉE ET CORDON	1
13	AC06100	ENSEMBLE SILICONE ET CORDON NOIR 1/4" X 1/2" X 8' POUR CONTOUR DE PORTE	1
14	AC09176	ENSEMBLE DE POIGNÉE ET BARRURE	1
15	AC09185	ENSEMBLE DE BARRURE DE PORTE	1
16	30101	GOUPILLE TENDEUSE À RESSORT 5/32"Ø X 1 1/2"L	1
17	AC06400	CORDON DE VITRE NOIR PRÉENCOLLÉ 3/4" (PLAT) X 6'	1
18	SE69859	VITRE DE REMPLACEMENT AVEC CORDON 8 3/4" x 14"	1
19	PL69872	MOULURE DE VITRE DU BAS	1
20	PL69874	MOULURE VITRE GAUCHE	1
21	PL69867	MOULURE DE VITRE HAUT	1
22	PL69873	MOULURE VITRE CÔTÉ POIGNÉE	1
23	30124	VIS #8 - 32 X 5/16" TRUSS QUADREX ZINC	8
24	PL69777	COUPE-FEU	1
25	SE44132	ALLUMEUR GRANULES 120V 300W ASSEMBLÉ	1
26	30029	VIS À FILETAGE COUPANT 10-24 TYPE "F" X 3/8" HEX RONDELLE	19
27	44192	TUBE D'ALLUMEUR	1
28	PL69759	POT DE COMBUSTION	1
29	SE16059	BOUCHON DE TRAPPE À CENDRES	1
30	30370	BUTOIR DE CAOUTCHOUC AVEC FILETS (PETIT)	3
31	30417	ÉCROU HEX NOIR #8-32	4
32	44098	INTERRUPTEUR DE SÉCURITÉ DE TRÉMIE	1
33	30013	PENTURE 2" X 1 1/2"	2
34	SE69785	TUBE D'ÉVACUATION ASSEMBLÉ	1
35	21392	JOINT D'ÉTANCHÉITÉ DE L' ADAPTATEUR D'ÉVACUATION	1
36	44193	VENTILATEUR D'ÉVACUATION	1
37	30093	BOULON 1/4-20 X 3/4" HEX GRADE 5	2

No.	Pièces	Description	Qté
38	30094	VIS HEX TÊTE RONDELLE 1/4-20 X 3/4" TYPE F ZINC	1
39	SE44095	THERMISTOR ASSEMBLÉ	1
40	30220	ÉCROU INDÉVISSABLE À ÉPAULEMENT 1/4-20	2
41	21393	JOINT D'ÉTANCHÉITÉ DU VENTILATEUR D'ÉVACUATION	1
42	PL69764	SUPPORT TRAPPE EXHAUST	1
43	SE69803	TRAPPE NETTOYAGE ÉVACUATION ASSEMBLÉE	1
44	AC06815	ENSEMBLE DE CORDON NOIR 3/16" X 5' ET SILICONE	1
45	30484	ÉCROU PAILLON 1/4-20	2
46	24017	VIS SANS FIN EN FONTE	1
47	30138	VIS À MÉTAL #6 X 3/8" QUADREX Type"A" NOIRE (52-011-120)	2
48	44059	THERMODISQUE 36T11 L250-25 AUTOMATIQUE	1
49	30528	MANCHON DE CUIVRE POUR VIS À GRANULE	1
50	30092	BOULON 5/16 - 18 X 3/4" HEX GRADE 5	2
51	21110	JOINT DE PLAQUE - VIS SANS FIN	1
52	PL69773	PLAQUE BUSHING VIS SANS FIN	1
53	30369	BUTOIR DE CAOUTCHOUC AVEC FILETS (GROS)	1
54	30026	VIS À FILETAGE COUPANT 10-24 F 5/8" HEX WASHER HEAD	10
55	44106	MOTEUR À ENGRENAGE POUR VIS À GRANULES 1.5 RPM	1
56	SE69877	BOITIER CARTE ÉLECTRONIQUE ASSEMBLÉ	1
57	44148	MEMBRANE INTERRUPTEUR DE LA CARTE DE CONTRÔLE	1
58	PL69855	CARTE ÉLECTRONIQUE SÉRIE 55	1
59	60382	HARNAIS	1
60	44058	THERMODISQUE 36T12 F160	1
61	30080	VIS À MÉTAL #6 X 1/4 TYPE B PAN PHILLIPS	2
62	60331	CORDON D'ALIMENTATION 6'	1
63	60196	RÉCEPTACLE DU CORDON D'ALIMENTATION	1
64	30155	VIS À MÉTAL #8 X 5/8" PHILLIPS AUTOPERFORANTE TEK ZINC	4
65	60036	BORNIER DU THERMOSTAT	1
66	44029	INTERRUPTEUR À PRESSION	1
67	49006	TUBE DE SILICONE 3/8" X 24"	1
68	PL69855	CARTE ÉLECTRONIQUE SÉRIE 55	1
69	44152	FUSIBLE 0.5A / 250V (5 X 20) F2-INTERFACE	2
70	44149	FUSIBLE 8A / 250V (5 X 20) F3-PRINCIPAL OU F8 ALLUMEUR	1
71	44150	FUSIBLE 3A / 250V (5 X 20) F4-VIS & PRISE CEI DC	1
72	44200	FUSIBLE 2A / 250V (5X20)	1
73	44199	FUSIBLE 1.25A / 250V (5X20)	1
74	44201	FUSIBLE 4A / 250V (5X20)	1
75	SE69849	TRAPPE D'ENTRÉ D'AIR ASSEMBLÉE	1

No.	Pièces	Description	Qté
76	30439	ATTACHE À RESSORT PLAQUE ZINC CHROMATE	1
77	30021	VIS FILETAGE COUPANT 8-32 TYPE "F" X 7/16" PLATE PHILLIPS NOIRE	2
78	PL69784	PLAQUE ENTRÉE D'AIR	1
79	PL64359	CADRE DU JOINT D'ÉTANCHÉITÉ VENTILATEUR DE COMBUSTION	1
80	21400	JOINT D'ÉTANCHÉITÉ VENTILATEUR DE COMBUSTION	2
81	SE44147	VENTILATEUR AXIAL 115V 9W 92 X 92 X 38 ASSEMBLÉ	1
82	PL69799	DEVANT BOITIER D'AIR	1
83	30777	CLAPET ANTI-RETOUR EN PLASTIQUE ASSEMBLÉ	1
84	30502	VIS À FILETAGE COUPANT #8 - 32 X 1/2" TYPE F HEX TÊTE PLATE	4
85	30556	EMBOUT DE FINITION POUR CONTRÔLE D'AIR	1
86	49400	COLLET ACIER 2 1/2" À 3 1/2"	2
87	21381	GAINÉ ALUMINIUM 2 PLIS 3" X 6" COMPRESSÉE	1
88	60383	FIL DE JONCTION ALLUMEUR	1
89	44122	VENTILATEUR CAGE DOUBLE 176 PCM (CLASSE H)	1
90	30100	ÉCROU HEX NOIR 1/4-20	2
91	30185	RONDELLE 17/64" TYPE "AA"	2
92	PL69805	PLAQUE SUPPORT VENTILATEUR	1
93	30446	BOULON DE CARROSSERIE 1/4 - 20 x 1" ZINC	4
94	30485	BOULON PAPILLON 1/4-20 X 1/2" EN ACIER PLAQUÉ ZINC	3
95	PL69802	SUPPORT TRAPPE DE NETTOYAGE	1
96	SE69804	TRAPPE NETTOYAGE AVEC CORDON	1
97	SE45910	KIT MANUEL D'INSTRUCTION OSBURN 2500	1
98	AC05959	PEINTURE POUR POÊLE NOIR MÉTALLIQUE - 342 g (12oz) AÉROSOL	1



Ce manuel peut être téléchargé gratuitement à partir du site web du fabricant. Il s'agit d'un document dont les droits d'auteur sont protégés. La revente de ce manuel est formellement interdite. Le fabricant se réserve le droit de modifier ce manuel de temps à autre et ne peut être tenu responsable de tous problèmes, blessures ou dommages subis suite à l'utilisation d'information contenue dans tout manuel obtenu de sources non autorisées.



Fabricant de poêles International inc.  
250, rue de Copenhague,  
St-Augustin-de-Desmaures (Québec) Canada  
G3A 2H3  
418-908-8002  
[www.osburn-mfg.com](http://www.osburn-mfg.com)  
[tech@sbi-international.com](mailto:tech@sbi-international.com)