

Installation & Owner's Manual

Installation, Care and Operation

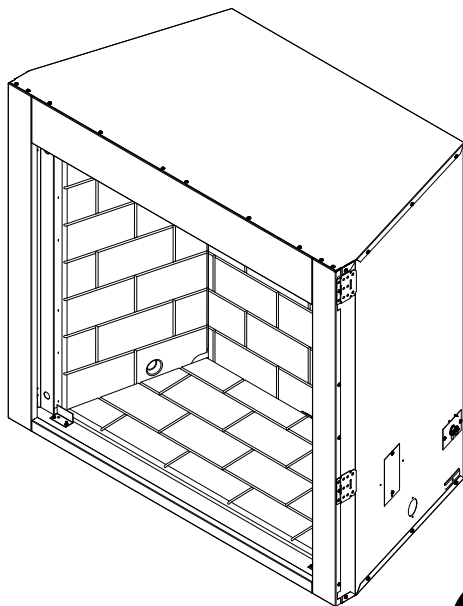
INSTALLER: Leave this manual with party responsible for use and operation.

OWNER: Retain this manual for future reference.

NOTICE: DO NOT discard this manual!



Model(s):
LCUF32CR-B
LCUF36CR-B
LCUF42CR-B



LISTED

VENT FREE FIREBOX

Carefully review the instructions supplied with the decorative type unvented room heater for the minimum fireplace size requirement.

DO NOT INSTALL AN APPLIANCE IN THIS FIREBOX UNLESS THIS FIREBOX MEETS THE MINIMUM DIMENSIONS REQUIRED FOR THE INSTALLATION.

⚠ WARNING: If the information in these instructions is not followed exactly, a fire or explosion may result causing property damage, personal injury, or death.

- **DO NOT** store or use gasoline or other flammable vapors and liquids in the vicinity of this or any other appliance.
- **DO NOT** overfire. Overfiring will void your warranty.
- Comply with all minimum clearances to combustibles as specified. Failure to comply may cause house fire.

⚠ WARNING



HOT SURFACES!

Glass and other surfaces are hot during operation AND cool down.

Hot glass will cause burns.

- **DO NOT** touch glass until it is cooled
 - **NEVER** allow children to touch glass
 - Keep children away
 - **CAREFULLY SUPERVISE** children in same room as fireplace.
 - Alert children and adults to hazards of high temperatures.
- High temperatures may ignite clothing or other flammable materials.**
- Keep clothing, furniture, draperies and other flammable materials away.

Installation and service of this appliances should be performed by qualified personnel. Hearth & Home Technologies recommends HHT Factory Trained or NFI certified professionals.



For use with a listed gas-fired unvented room heater not to exceed 40,000 BTU/hr. Do not build a wood fire.

Safety Alert Key:

- **DANGER!** Indicates a hazardous situation which, if not avoided will result in death or serious injury.
- **WARNING!** Indicates a hazardous situation which, if not avoided could result in death or serious injury.
- **CAUTION!** Indicates a hazardous situation which, if not avoided, could result in minor or moderate injury.
- **NOTICE:** Indicates practices which may cause damage to the fireplace or to property.


Table of Contents

Installation Standard Work Checklist	3
1 Welcome	
A. Congratulations	4
B. LIMITED LIFETIME WARRANTY	5
2 Important Safety and Operating Information	7
3 General Installation Information	
Before You Start	9
Check Parts	9
Tools Needed for Installation	9
4 Firebox and Framing Dimensions	
Dimensions	10
5 Hearth Dimensions and Firebox Locations	
Hearth Dimensions	11
Firebox Locations	11
6 Clearances	12
7 Fireplace, Canopy and Gas Line Installation	
Securing & Leveling Appliance	14
Canopy Installation	14
Gas Connections	15
8 Combustion Air	16
Install Model AK22 Combustion Air Assembly	16
9 Optional Equipment	
Forced Air Kit	18
Panels	18
Accent Light Kit	18
Optional Door Kit	18
10 Service Parts	
Service Parts Lists	19

ATTENTION INSTALLER:
Follow this Standard Work Checklist

This standard work checklist is to be used by the installer in conjunction with, not instead of, the instructions contained in this installation manual.

Customer:	_____	Date Installed:	_____
Lot/Address	_____	Location of Fireplace:	_____
	_____	Installer:	_____
Model (circle one):	LCUF32CR-B LCUF36CR-B	Dealer/Distributor Phone No:	_____
	LCUF42CR-B	Serial No:	_____

 **WARNING! Risk of Fire or Explosion!** Failure to install fireplace according to these instructions can lead to a fire or explosion.

Fireplace Install

Wiring has been installed if necessary.	<input type="checkbox"/>	IF NO, WHY?
Verified clearances to combustibles. (Pg. 11)	<input type="checkbox"/>	_____
Fireplace is leveled and secured. (Pg. 13)	<input type="checkbox"/>	_____
Hearth extension size/height decided. (Pg. 12)	<input type="checkbox"/>	_____
Outside air kit installed. (Pg 15) Optional	<input type="checkbox"/>	_____

Finishing

Combustible materials not installed in non-combustible areas.	<input type="checkbox"/>	_____
Verified all clearances meet installation manual requirements.	<input type="checkbox"/>	_____
Mantels and wall projections comply with installation manual requirements.	<input type="checkbox"/>	_____
Hearth extension installed per manual requirements.	<input type="checkbox"/>	_____

Fireplace Setup

All packaging and protective materials removed.	<input type="checkbox"/>	_____
Refractory installed correctly.	<input type="checkbox"/>	_____
Firescreen installed properly.	<input type="checkbox"/>	_____
Manual bag and all of its contents are removed from the fireplace and given to the party responsible for use and operation.	<input type="checkbox"/>	_____
Blower kit installed properly. (Optional)	<input type="checkbox"/>	_____
Light kit installed properly. (Optional)	<input type="checkbox"/>	_____
Door kit installed properly. (Optional)	<input type="checkbox"/>	_____

Hearth & Home Technologies recommends the following:

- Photographing the installation and copying this checklist for your file.
- That this checklist remain visible at all times on the fireplace until the installation is complete.

Comments: Further description of the issues, who is responsible (Installer/Builder/Other Trades, etc.) and corrective action needed:

Comments communicated to party responsible _____ by _____ on _____
 (Builder/Gen. Contractor) (Installer) (Date)

1 Welcome

Read this manual before installing or operating this fireplace.
Please retain this manual for future references.

A. Congratulations

Congratulations on selecting a Monessen Hearth firebox. It is designed to provide the utmost in safety, reliability, and efficiency.

As the owner of a new fireplace, you'll want to read and carefully follow all of the instructions contained in this manual. Pay special attention to all Cautions and Warnings.

This manual should be retained for future reference. We suggest that you keep it with your other important documents and product manuals.

Your new Monessen vent free firebox will give you years of durable use and trouble-free enjoyment. Welcome to the Monessen family of fireplace products!

Monessen is a registered trademark of Hearth & Home Technologies.

Local Dealer Information

DEALER: Fill in your name, address, phone and email information here and fireplace information below.

Dealer Name: _____
Address: _____

Phone: _____
Email: _____

Fireplace Information:

Brand: _____ Model Name: _____
Serial Number: _____ Date Installed: _____

B. LIMITED LIFETIME WARRANTY

Hearth & Home Technologies LIMITED LIFETIME WARRANTY

Hearth & Home Technologies, on behalf of its hearth brands (“HHT”), extends the following warranty for HHT gas, wood, pellet, coal and electric hearth appliances that are purchased from an HHT authorized dealer.

WARRANTY COVERAGE:

HHT warrants to the original owner of the HHT appliance at the site of installation, and to any transferee taking ownership of the appliance at the site of installation within two years following the date of original purchase, that the HHT appliance will be free from defects in materials and workmanship at the time of manufacture. After installation, if covered components manufactured by HHT are found to be defective in materials or workmanship during the applicable warranty period, HHT will, at its option, repair or replace the covered components. HHT, at its own discretion, may fully discharge all of its obligations under such warranties by replacing the product itself or refunding the verified purchase price of the product itself. The maximum amount recoverable under this warranty is limited to the purchase price of the product. This warranty is subject to conditions, exclusions and limitations as described below.

WARRANTY PERIOD:

Warranty coverage begins on the date of original purchase. In the case of new home construction, warranty coverage begins on the date of first occupancy of the dwelling or six months after the sale of the product by an independent, authorized HHT dealer/ distributor, whichever occurs earlier. The warranty shall commence no later than 24 months following the date of product shipment from HHT, regardless of the installation or occupancy date. The warranty period for parts and labor for covered components is produced in the following table.

The term “Limited Lifetime” in the table below is defined as: 20 years from the beginning date of warranty coverage for gas appliances, and 10 years from the beginning date of warranty coverage for wood, pellet, and coal appliances. These time periods reflect the minimum expected useful lives of the designated components under normal operating conditions.

Warranty Period		HHT Manufactured Appliances and Venting							Components Covered
Parts	Labor	Gas	Wood	Pellet	EPA Wood	Coal	Electric	Venting	
1 Year		X	X	X	X	X	X	X	All parts and material except as covered by Conditions, Exclusions, and Limitations listed
2 years				X	X	X			Igniters, electronic components, and glass
		X	X	X	X	X			Factory-installed blowers
		X							Molded refractory panels Ignition Modules
3 years				X					Firepots and burnpots
5 years	1 year			X	X				Castings and baffles
7 years	3 years		X	X	X				Manifold tubes, HHT chimney and termination
10 years	1 year	X							Burners, logs and refractory
Limited Lifetime	3 years	X	X	X	X	X			Firebox and heat exchanger
90 Days		X	X	X	X	X	X	X	All replacement parts beyond warranty period

See conditions, exclusions, and limitations on next page.

B. Limited Lifetime Warranty (*continued*)

WARRANTY CONDITIONS:

- This warranty only covers HHT appliances that are purchased through an HHT authorized dealer or distributor. A list of HHT authorized dealers is available on the HHT branded websites.
- This warranty is only valid while the HHT appliance remains at the site of original installation.
- This warranty is only valid in the country in which the HHT authorized dealer or distributor that sold the appliance resides.
- Contact your installing dealer for warranty service. If the installing dealer is unable to provide necessary parts, contact the nearest HHT authorized dealer or supplier. Additional service fees may apply if you are seeking warranty service from a dealer other than the dealer from whom you originally purchased the product.
- Check with your dealer in advance for any costs to you when arranging a warranty call. Travel and shipping charges for parts are not covered by this warranty.

WARRANTY EXCLUSIONS:

This warranty does not cover the following:

- Changes in surface finishes as a result of normal use. As a heating appliance, some changes in color of interior and exterior surface finishes may occur. This is not a flaw and is not covered under warranty.
- Damage to printed, plated, or enameled surfaces caused by fingerprints, accidents, misuse, scratches, melted items, or other external sources and residues left on the plated surfaces from the use of abrasive cleaners or polishes.
- Repair or replacement of parts that are subject to normal wear and tear during the warranty period. These parts include: paint, wood, pellet and coal gaskets, firebricks, grates, flame guides, batteries and the discoloration of glass.
- Expansion, contraction, or movement of certain parts causing noise. These conditions are normal and complaints related to this noise are not covered by this warranty.
- Damages resulting from: (1) failure to install, operate, or maintain the appliance in accordance with the installation instructions, operating instructions, and listing agent identification label furnished with the appliance; (2) failure to install the appliance in accordance with local building codes; (3) shipping or improper handling; (4) improper operation, abuse, misuse, continued operation with damaged, corroded or failed components, accident, or improperly/incorrectly performed repairs; (5) environmental conditions, inadequate ventilation, negative pressure, or drafting caused by tightly sealed constructions, insufficient make-up air supply, or handling devices such as exhaust fans or forced air furnaces or other such causes; (6) use of fuels other than those specified in the operating instructions; (7) installation or use of components not supplied with the appliance or any other components not expressly authorized and approved by HHT; (8) modification of the appliance not expressly authorized and approved by HHT in writing; and/or (9) interruptions or fluctuations of electrical power supply to the appliance.
- Non-HHT venting components, hearth components or other accessories used in conjunction with the appliance.
- Any part of a pre-existing fireplace system in which an insert or a decorative gas appliance is installed.
- HHT's obligation under this warranty does not extend to the appliance's capability to heat the desired space. Information is provided to assist the consumer and the dealer in selecting the proper appliance for the application. Consideration must be given to appliance location and configuration, environmental conditions, insulation and air tightness of the structure.

This warranty is void if:

- The appliance has been over-fired or operated in atmospheres contaminated by chlorine, fluorine, or other damaging chemicals. Over-firing can be identified by, but not limited to, warped plates or tubes, rust colored cast iron, bubbling, cracking and discoloration of steel or enamel finishes.
- The appliance is subjected to prolonged periods of dampness or condensation.
- There is any damage to the appliance or other components due to water or weather damage which is the result of, but not limited to, improper chimney or venting installation.

LIMITATIONS OF LIABILITY:

- The owner's exclusive remedy and HHT's sole obligation under this warranty, under any other warranty, express or implied, or in contract, tort or otherwise, shall be limited to replacement, repair, or refund, as specified above. In no event will HHT be liable for any incidental or consequential damages caused by defects in the appliance. Some states do not allow exclusions or limitation of incidental or consequential damages, so these limitations may not apply to you. This warranty gives you specific rights; you may also have other rights, which vary from state to state. EXCEPT TO THE EXTENT PROVIDED BY LAW, HHT MAKES NO EXPRESS WARRANTIES OTHER THAN THE WARRANTY SPECIFIED HEREIN. THE DURATION OF ANY IMPLIED WARRANTY IS LIMITED TO DURATION OF THE EXPRESSED WARRANTY SPECIFIED ABOVE.

2 Important Safety and Operating Information

INSTALLER

Please leave these instructions with the appliance.

OWNER

Please retain these instructions for future reference.

⚠WARNING!

- **Any change to this heater or its controls can be dangerous.**
- **Improper installation or use of the heater can cause serious injury or death from fire, burns, explosion or carbon monoxide poisoning.**
- **Do not allow fans to blow directly into the firebox. Avoid any drafts that alter burner flame patterns.**
- **Do not use a blower insert, heat exchanger insert or other accessory, not approved for use with this heater where applicable.**

1. Due to high temperatures, the firebox should be located out of traffic and away from furniture and draperies.
2. Children and adults should be alerted to the hazard of high surface temperature and should stay away to avoid burns or clothing ignition.
3. Young children should be carefully supervised when they are in the same room with the firebox.
4. Do not place clothing or other flammable material near the fireplace when the firebox is in use.
5. Any safety screen or guard removed for servicing, must be replaced prior to operating a heater within the firebox.
6. Installation and repair should be done by a qualified service person.
7. To prevent malfunction and/or sooting, an unvented gas heater/firebox should be cleaned at least annually by a professional service person. More frequent cleaning may be required due to excessive lint from carpeting, etc. It is imperative that control compartments, burners and circulating air passageways be kept clean.

8. **CARBON MONOXIDE POISONING:** Early signs of carbon monoxide poisoning are similar to the flu with headaches, dizziness and/or nausea. If you have these signs, obtain fresh air immediately. Have the heater serviced as it may not be operating properly.
9. The installation must conform with local codes or, in the absence of local codes, with the National Fuel Gas Code, ANSI Z223.1/NFPA54.
10. This unit complies with ANSI Z21.91-2017 ventless firebox enclosures for gas-fired unvented decorative room heaters.
11. Do not install the unvented heater in a bathroom.
12. Do not install the unvented heater in a bedroom unless the maximum input rating is equal to or less than 10,000 Btu/hr.

13. Correct installation of the ceramic fiber logs, proper location of the heater, and annual cleaning are necessary to avoid potential problems with sooting. Sooting, resulting from improper installation or operation, can settle on surfaces outside the fireplace. See log placement instructions for proper installation.
14. Avoid any drafts that alter burner flame patterns. Do not allow fans to blow directly into fireplace. Do not place a blower inside burn area of firebox. Ceiling fans may create drafts that alter burner flame patterns. Sooting and improper burning will occur.
15. **CAUTION:** Candles, incense, oil lamps, etc. produce combustion byproducts including soot. Vent free appliances will not filter or clean soot produced by these types of products. In addition, the smoke and/or aromatics (scents) may be re-burnt in the vent free appliance which can produce odors. It is recommended to minimize the use of candles, incense, etc. while the vent free appliance is in operation.
16. An unvented gas-fired heater uses air (oxygen) from the room in which it is installed. Provisions for adequate combustion and ventilation air must be provided. See installation guidelines.
17. Keep room area clear and free from combustible materials, gasoline and other flammable vapors and liquids.
18. Unvented gas heaters are a supplemental zone heater. They are not intended to be a primary heating appliance.
19. Unvented gas heaters emit moisture into the living area. In most homes of average construction, this does not pose a problem. In houses of extremely tight construction, additional mechanical ventilation is recommended.
20. During manufacturing, fabricating and shipping, various components of this appliance are treated with certain oils, films or bonding agents. These chemicals are not harmful but may produce annoying smoke and smells as they are burned off during the initial operation of the appliance; possibly causing headaches, or eye or lung irritation. This is a normal and temporary occurrence.

Continued on page 7

Continued from page 6

The initial break-in operation should last two to three hours with the burner at the highest setting. Provide maximum ventilation by opening windows or doors to allow odors to dissipate. Any odors remaining after this initial break-in period will be slight and will disappear with continued use.

21. Input ratings are shown in BTU per hour and are for elevations up to 2,000 feet. For elevations above 2,000 feet, input ratings should be reduced 4 percent for each 1,000 feet above sea level. Refer to the National Fuel Gas Code.
22. The appliance and its main gas valve must be disconnected from the gas supply piping system during any pressure testing of that system at test pressures in excess of 1/2 psig (3.5 kPa).
23. The appliance must be isolated from the gas supply piping system by closing its equipment shutoff valve during any pressure testing of the gas supply piping system at test pressures equal to or less than 1/2 psig (3.5 kPa).
24. Do not use this room heater if any part has been under water. Immediately call a qualified service technician to inspect the room heater and to replace any part of the control system and any gas control which has been under water.
25. Never burn solid fuels in a fireplace where a unvented room heater is installed.
26. Always have a fireplace screen in place when the appliance is in operation, and unless other provisions for combustion air are provided, the screen shall have an opening(s) for induction of combustion air.
27. Do not fill spaces around the firebox with insulation or other materials. These spaces must be maintained to prevent the firebox from coming in contact with combustible materials.

⚠WARNING!

Do not attempt to burn solid wood fuels, vented gas log sets, or any other combustible in this unvented firebox. Also, do not install a vent free gas log set in this firebox if the minimum clearance and height requirements of the log set are too large for the firebox.

Notice: Illustrations shown in this manual reflect "typical" installations with nominal dimensions and are for design and framing reference only. Actual installations may vary due to individual design preferences. However, always maintain minimum clearances to combustible materials and do not violate any specific installation requirements.

⚠WARNING!

Never connect unit to private (non-utility) gas wells. This gas is commonly known as wellhead gas.



IMPORTANT

Please read the following information carefully:

It is normal for fireplaces fabricated of steel to give off some expansion and/or contraction noises during the startup and cool down cycle. Similar noises are found with your furnace heat exchanger or car engine.

3 General Installation Information

The new LCUF32CR-B, LCUF36CR-B, AND LCUF42CR-B are vent free fireboxes. They feature a self contained heat-circulating system.

This installation manual will enable you to obtain a safe, efficient and dependable installation of your vent free firebox system.

Do not alter or modify the firebox or its components under any circumstances. Any modification or alteration of the firebox system, including but not limited to the firebox and accessories, may void the warranty, listings and approvals of this system and could result in an unsafe and potentially dangerous installation.

BEFORE YOU START

Carefully inspect the contents for shipping damage. If any parts are missing or damaged, immediately inform the dealer from whom you purchased the appliance. Do not attempt to install any part of the appliance unless you have all the parts in good condition.

Note: If using a blower or light kit, electrical connections should be made prior to the firebox being enclosed by the finished walls.

MAKE SURE YOU HAVE RECEIVED ALL PARTS

Verify contents to ensure all parts have been received. The following should be included:

1. Vent Free Gas Firebox
2. Canopy
3. Installation and Operating Instructions

WHAT YOU WILL NEED FOR INSTALLATION

TOOLS and BUILDING SUPPLIES

- Phillips screwdriver
- Framing materials
- Saw and / or saber saw
- Level
- Measuring tape
- Electric drill and bits
- Fireplace surround materials (*noncombustible*)
- Caulking material (*noncombustible*)
- Wall finishing materials
- Piping complying with local codes
- Pipe sealant approved for use with propane/L.P.G. (*resistant to sulfur compounds*)
- Square
- Hammer
- Tee joint
- Pipe wrench
- Pliers

Refer to the installation instructions provided with the log sets for items required for log set installation.

In planning the installation for the appliance it is necessary to determine where the unit is to be installed and whether optional accessories are desired. Gas supply piping should also be planned. The following steps represent the normal sequence of installation. Each installation is unique, however, and might require a different sequence.

1. Position firebox prior to framing or into prepared framing.
2. The canopy supplied with the unit must be installed. See Canopy Installation on page 13.
3. Field wire main power supply to models with fan or light kit. (Electrical connections should only be performed by an experienced, licensed /certified tradesman).
4. Plumb gas line. (Gas connections should only be performed by an experienced, licensed/certified tradesman).
5. Install vent free gas log heater per the instructions provided with the vent free gas log heater.
6. Complete finish wall material, surround and optional hearth extension to your individual taste.

Notice: Illustrations displayed in this manual reflect "typical" installations with minimal dimensions, and are or design and framing reference only. Actual installations may vary due to individual design preferences. However, always maintain minimum clearances to combustible materials and do not violate any specific installation requirements.

4 Firebox and Framing Dimensions

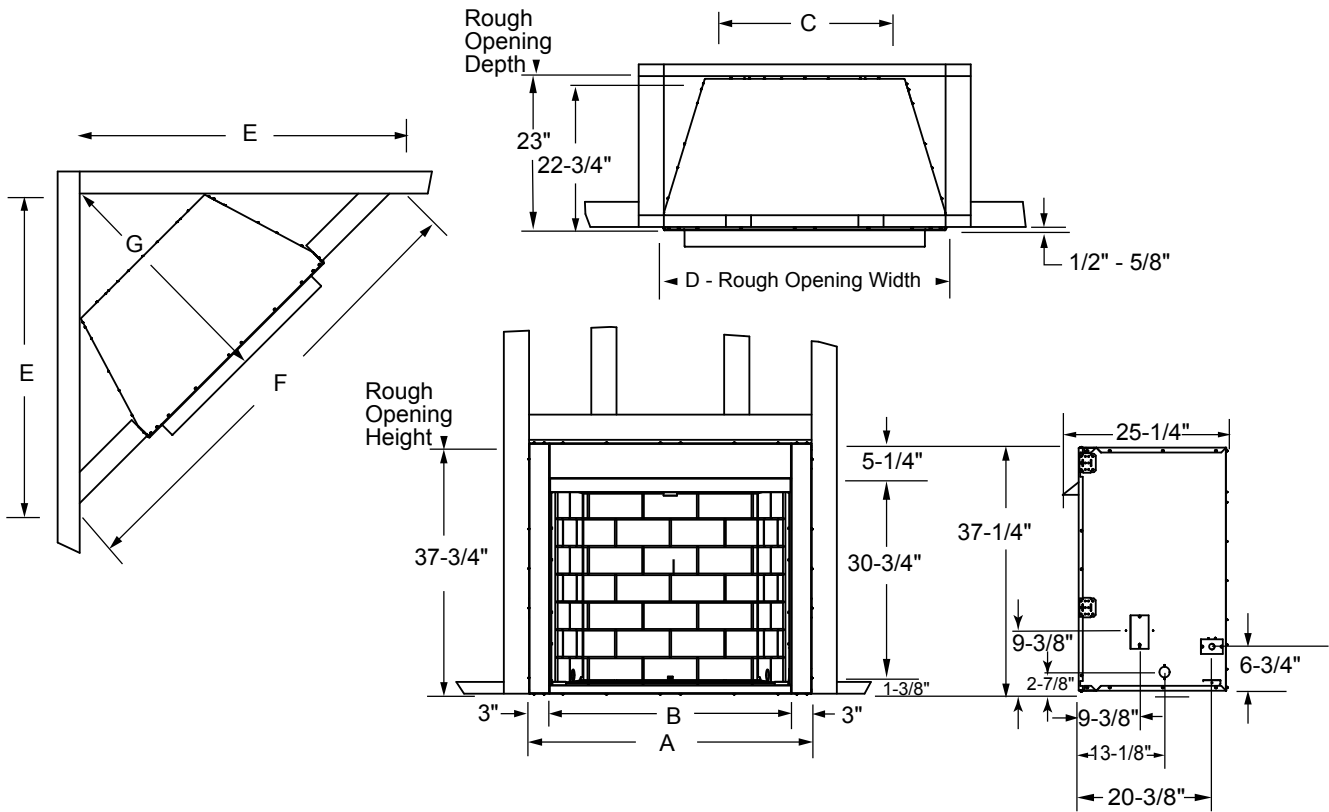


Figure 4.1 Firebox and Framing Dimensions

Ref.	LCUF32CR-B	LCUF36CR-B	LCUF42CR-B
A	38"	42"	48"
B	32"	36"	42"
C	26"	30"	36"
D - Chase Installation	38-1/2"	42-1/2"	48-1/2"
D - Recessed Installation	38-3/4"	42-3/4"	48-3/4"
E	50-1/4"	52-7/8"	57-1/4"
F	71-1/8"	75-1/8"	80-7/8"
G	35-1/4"	37-1/4"	40-1/8"

5 Hearth Dimensions and Firebox Locations

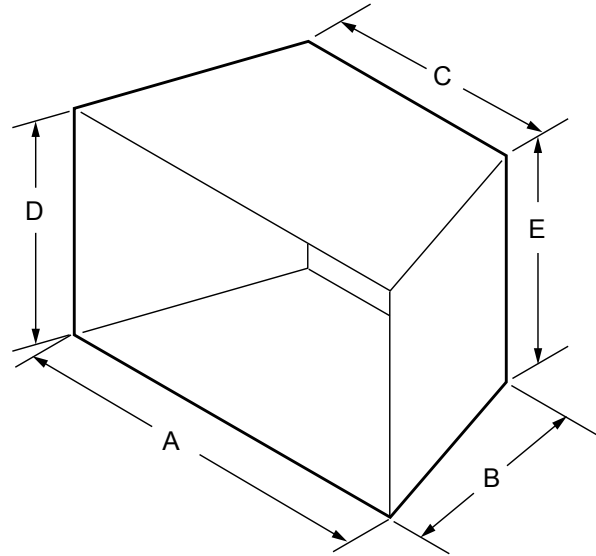


Figure 5.1 Minimum Hearth Dimensions

Ref.	LCUF32CR-B	LCUF36CR-B	LCUF42CR-B
A	29 3/4"	33 3/4"	39 3/4"
B	15 1/4"	15 1/4"	15 1/4"
C	21 5/8"	25 5/8"	31 5/8"
D	29 3/4"	29 3/4"	29 3/4"
E	28 1/4"	28 1/4"	28 1/4"

FIREBOX LOCATION

Carefully select the best location for installation of your vent free firebox. The following factors should be taken into consideration:

- Clearance to side wall, ceiling, woodwork and windows. See "Clearances/Height Requirements in Section 6. Minimum clearances to combustibles **must be maintained**.
- Location must not be affected by drafts caused by kitchen exhaust fans, ceiling fans, return air registers for forced air furnaces / air conditioners, windows or doors.
- Installation must provide adequate ventilation and combustion air.
- Location should be out of high traffic or windy or drafty areas.
- **DO NOT INSTALL WHERE CURTAINS, FURNITURE, CLOTHING OR OTHER FLAMMABLE OBJECTS ARE LESS THAN 42" FROM FRONT OF HEATER.**
- Never obstruct the front opening of the vent free firebox or restrict the flow of combustion and ventilation air.
- Minimize modifications to existing construction. Refer to Figure 5.2 for location suggestions.
- Do not install in the vicinity where gasoline or other flammable liquids may be stored. The vent free firebox must be kept clear and free from these combustible materials.

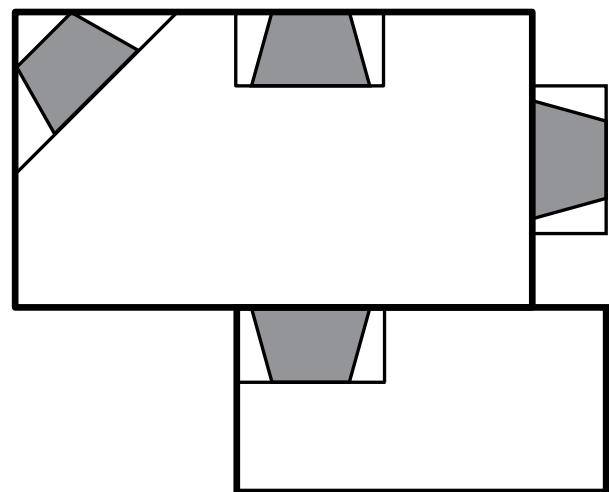


Figure 5.2 Location of Firebox

6 Clearances

Ensure that minimum clearances shown in Figures 6.1 through 6.3 are maintained. Left and right clearances are determined when facing the front of the firebox.

Follow these instructions carefully to ensure safe installation. Failure to follow these requirements may create a fire hazard.

- Sidewall clearances:** The clearance from the inside of the appliance to any combustible wall should not be less than 6". See Figure 6.1.
- Ceiling clearance:** The ceiling must be at least 42" from the top of the firebox opening. See Figure 6.1.
- Back wall clearance:** The appliance may be placed against a combustible back wall.

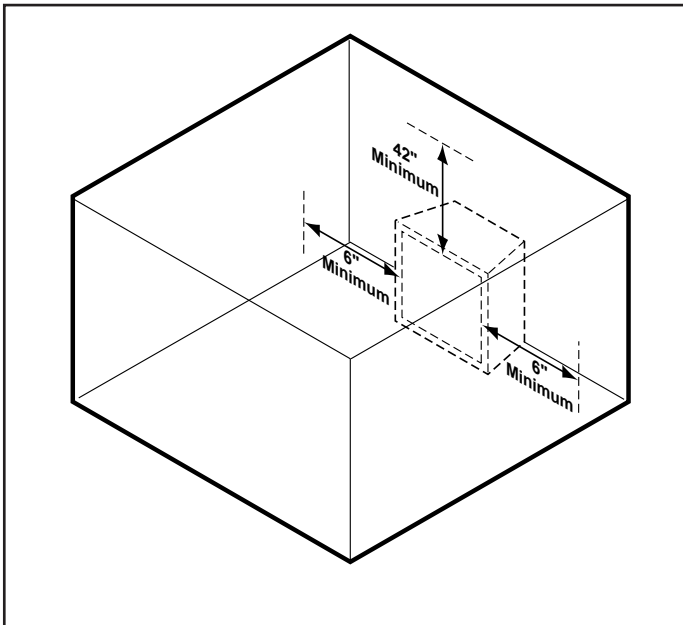


Figure 6.1 Clearance and Height Requirements

- Mantel clearances:** If a combustible mantel is installed, it must meet the clearance requirements as shown in Figures 6.2 & 6.3.

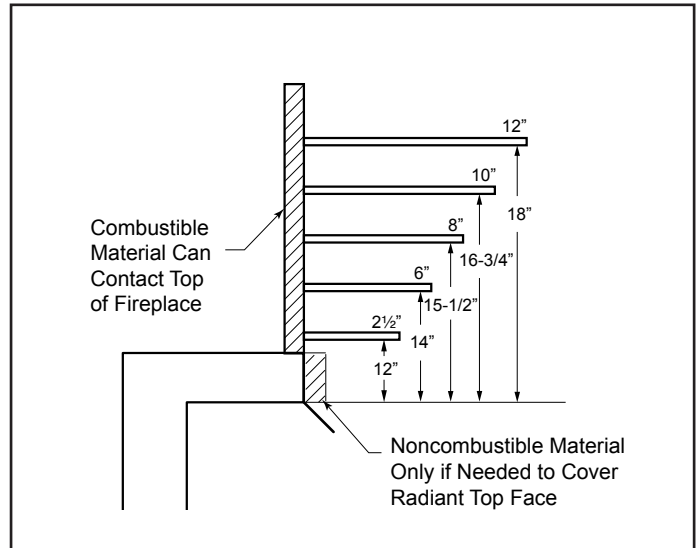


Figure 6.2 Mantel Clearances

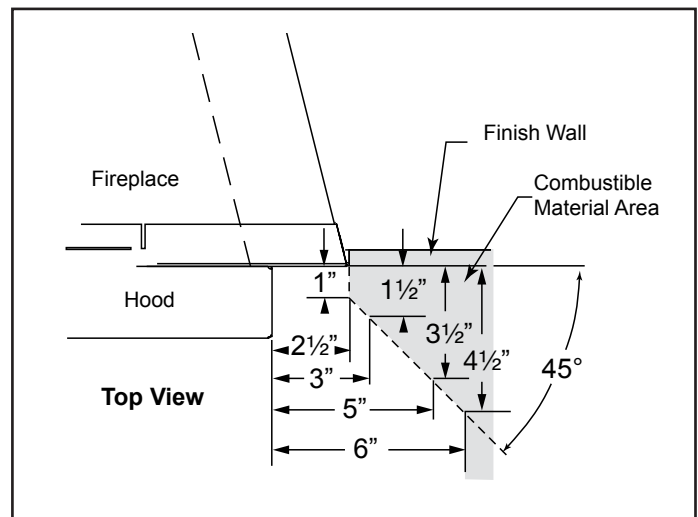


Figure 6.3 Mantel Leg Clearance

NOTE: The canopy supplied with the unit must be installed for correct mantel clearances. See canopy installation on page 13.

5. Floor clearance: This inner chamber firebox floor must be installed at least 1" above any combustible flooring material, such as carpeting or asphalt tile, which is closer than 14" to the base of the firebox. See Figure 6.4.

Or

The inner chamber firebox floor may be installed nearer to the floor if a minimum of 14" of noncombustible material such as slate or marble is installed between the base of the firebox and the combustible flooring. See Figure 6.5.

Firebox framing can be built before or after the appliance is set in place. Construct firebox framing following Figure 4.1 for your specific installation requirements. Refer to Figure 4.1 on page 9 for firebox dimensions. The framing headers may rest on the top of the firebox standoffs.

The firebox may be installed directly on a combustible floor or raised on a platform of an appropriate height. When the firebox is installed directly on carpeting, tile, or other combustible material, other than wood flooring, the firebox shall be installed on a metal or wood panel extending the full width and depth of the enclosure.

The classification "non-combustible material" includes, but is not limited to: stone, brick, and mortar. Non-combustibles are safe to overlay the black-painted metal face, including radiant plates, and do not pose a fire hazard. Any non-combustible finish material must not extend past or interfere with the fireplace opening.

The classification "combustible material" includes, but is not limited to: plywood, drywall, and particle board. Combustible materials may contact the sides, bottom, or back of the firebox. Do not overlay the black-painted face with combustible materials.

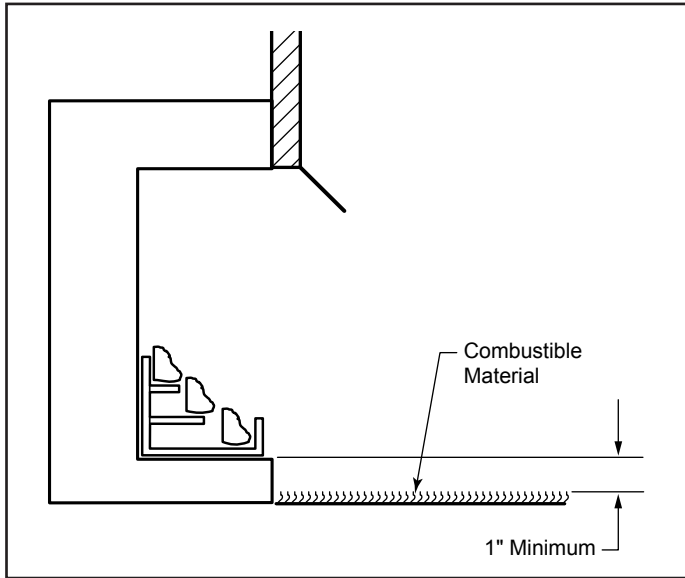


Figure 6.4 Minimum Clearance Above Combustible Flooring

⚠ WARNING!

Do not fill spaces around firebox with insulation or other materials. This could cause a fire.

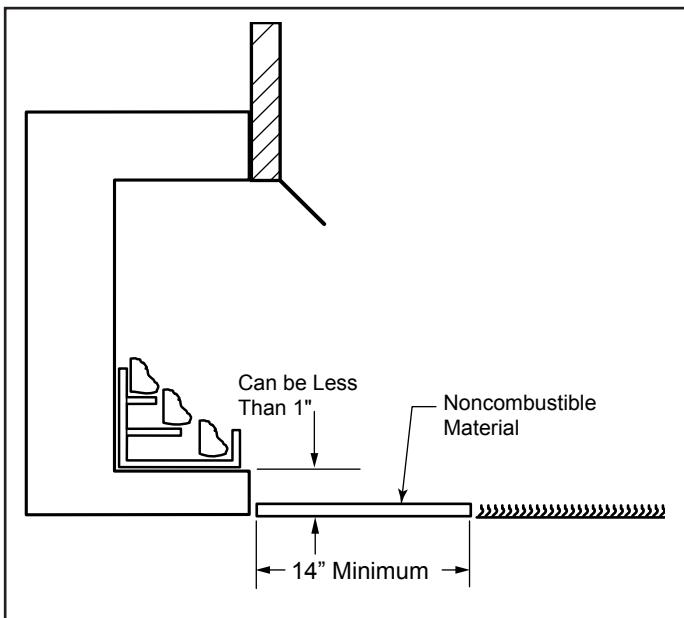


Figure 6.5 Minimum Clearance Above Combustible Flooring with Noncombustible Material Installed at Base of Fireplace

⚠ WARNING!

The fireplace must be installed giving full consideration to the clearance and height requirements identified in this manual.

7 Fireplace, Canopy and Gas Line Installation

SECURING AND LEVELING THE APPLIANCE

1. Bend out the nailing flanges located on each side of the firebox.
2. Slide the firebox into prepared framing or position firebox in its final position and frame later.
3. Level the firebox by checking the top edge of the firebox. Shim if necessary.
4. Anchor firebox to the side framing members using 8d nails or other suitable fasteners. Figure 7.1
5. The canopy must be installed for safe operation of the firebox. See instructions below.

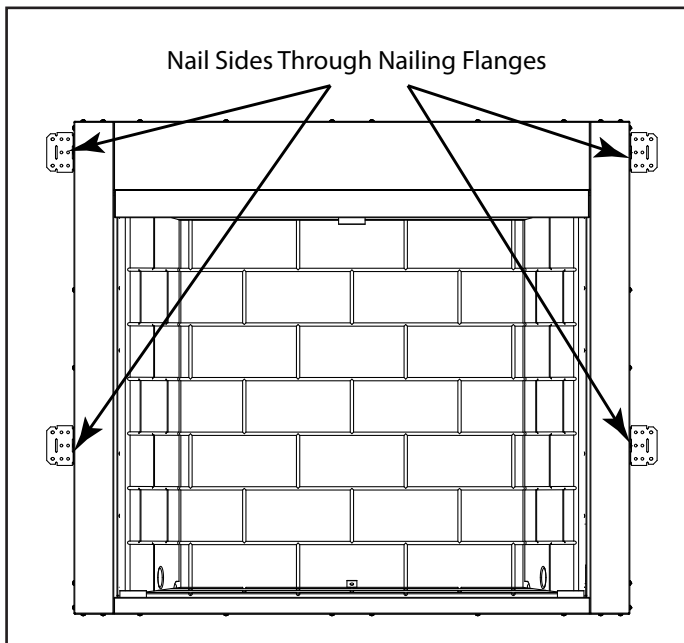


Figure 7.1 Location of Nailing Flanges

CANOPY INSTALLATION

A canopy is furnished with each firebox and MUST be installed for safe operation.

1. Locate three (3) screws at the front edge of face (one at each end, and one in the center.)
2. Loosen screws slightly, slide canopy slots against screws and tighten in place. Figure 7.2

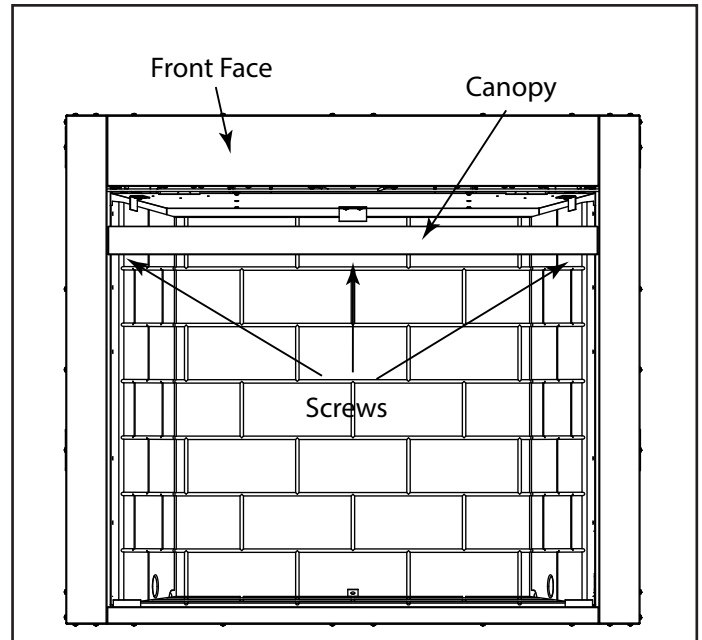


Figure 7.2 Canopy Installation

⚠ WARNING!

The firebox canopy must not be modified or replaced with a canopy that may be provided with the vent free decorative room heater.

⚠ WARNING!

Close fireplace screen panel before operating a decorative type vent free room heater.

GAS CONNECTIONS

⚠ WARNING!

Plumbing connections should only be performed by a qualified, licensed plumber. Main gas supply must be off when plumbing gas line to fireplace or performing service.

Consult all local codes. All gas piping must be installed to comply with local codes, or in the absence of local codes, with the latest edition of the National Fuel Gas Code ANSI Z223.1/NFPA54.

The 1/2" gas line may enter either from the left side or right side of the firebox. Gas access holes are provided on both sides of the firebox.

A listed manual shutoff valve must be installed upstream of the appliance. A union tee and plugged 1/8" NPT pressure tapping point should be installed upstream of the appliance.

IMPORTANT: Install main gas valve (equipment shutoff valve) in an accessible location. The main gas valve is for turning on or shutting off the gas to the fireplace.

A sediment trap may be upstream of the heater to prevent moisture and contaminants from passing through trap to the heater controls and burners. Failure to do so could prevent the heater from operating reliably. Consult applicable codes.

An external regulator must be used on all propane/L.P.G. heaters, in addition to the regulator fitted to the heater, to reduce the supply tank pressure to 13" w.c. (maximum). Any copper tubing used to supply propane / L.P.G. from the tank must be internally tinned.

NOTE: When connecting propane / L.P.G. vent free room heaters, you must use pipe sealant resistant to propane / L.P.G.

IMPORTANT: Hold heater regulator with a wrench to prevent movement when connecting to inlet piping.

Check gas type: The gas supply must be the same as stated on the heater's rating plate. If the gas supply is different, DO NOT INSTALL THE HEATER. Contact your dealer for the correct model.

⚠ WARNING!

Connecting directly to an unregulated propane/L.P.G. tank can cause an explosion.

⚠ WARNING!

Do not connect directly to natural gas 1/2 PSI or 2 PSI systems. Always make sure natural gas pressure is regulated 10.5 w.c. (maximum before operating the unit).

Notice: After completing connection, test all gas joints from the gas meter to the gas heater regulator for leaks. Using soap and water solution or a gas sniffer. DO NOT USE AN OPEN FLAME.

8 Combustion Air

AK22 INSTALLATION

Note: The AK22 is an optional accessory that can be used to bring in fresh air. Use of the AK22 is not required for operation unless specified by local codes.

1. Locate combustion air assembly at an exterior location which is not likely to be accidentally blocked in any manner. Locate assembly a min. of 12" above the snow line to prevent blockage by snow accumulation.
2. Never mount the combustion air inlet assembly in a garage or storage area where combustible fumes such as gasoline might be drawn into the fireplace.
3. Combustion air can be drawn from the crawl space under a house when an adequate supply of air is provided by open ventilation.
4. **CAUTION:** Do not take combustion air from attic space or garage space.
5. Locate air supply inlet at least 3' away from any appliance vent terminal.
6. Avoid extremely long runs and numerous turns in the duct leading from the fireplace to the combustion air assembly. These conditions increase the resistance to the free flow of air through the duct. Refer to Figures 8.1 through 8.4 for methods of installing the outside air for combustion assemblies.

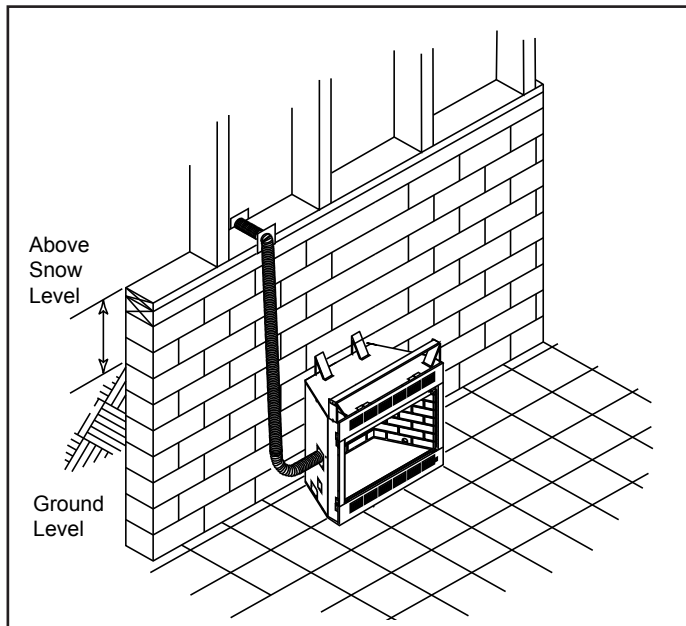


Figure 8.1 Basement Installation

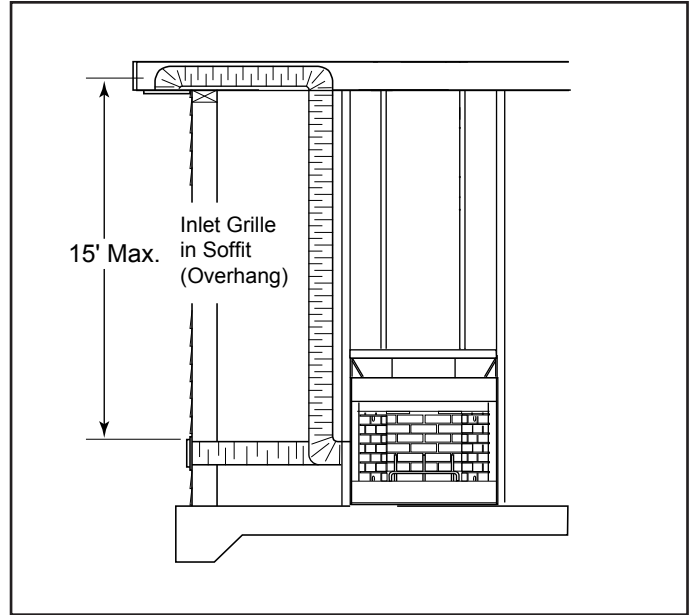


Figure 8.2 Concrete Slab Installation (Optional Outside Air Runs)

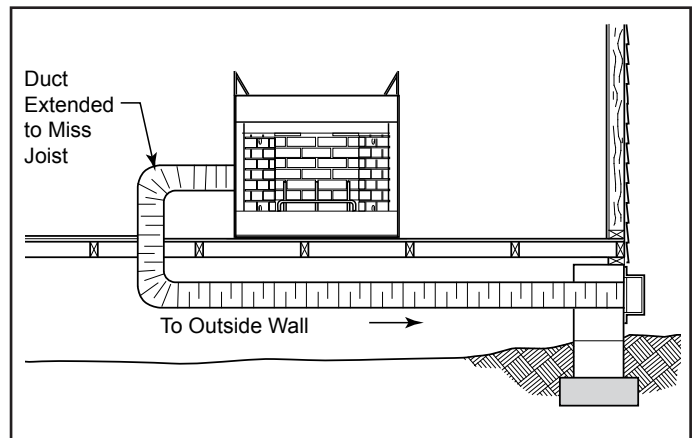


Figure 8.3 Installation Above Basement or Crawl Space

NOTE: Fireplace model in illustrations may not be representative of your appliance.

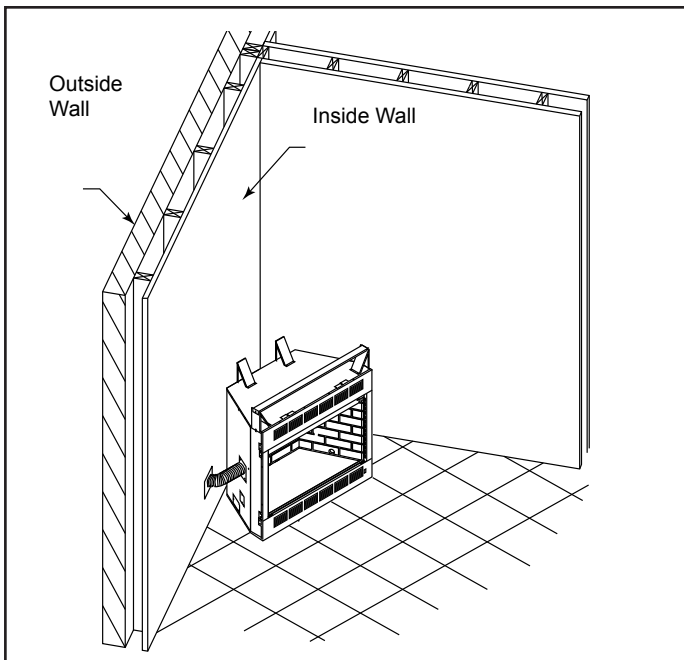


Figure 8.4 45° Corner Installation on Slab Floor

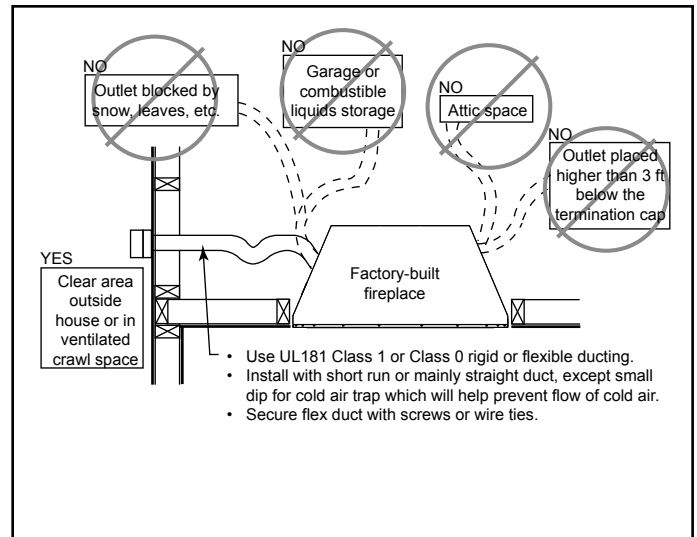


Figure 8.5

⚠ WARNING!

DO NOT remove the cover on side of firebox if the outside air will not be connected.

Step by Step Installation

1. Attach the collar to the side of the fireplace by aligning the four holes in the collar with the four holes on the fireplace side. Attach with the screws provided. See Figure 8.6.
2. Mark and cut out a 4 in. (102 mm) hole in the building side for air entry. This hole should allow for some framing (two sides) so the hooded air inlet may be nailed into position, flush with the building's outside.
3. Install hooded air inlet in the sidewall of the structure.
4. Assemble the flexible duct ID4 or UD4 (not supplied) between the collar and the hooded air inlet. Secure it into position with the supplied wire ties.

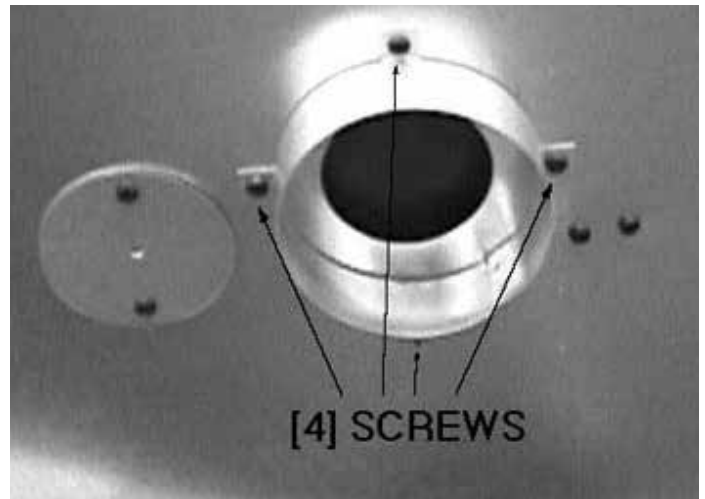


Figure 8.6

9 Optional Equipment

FORCED AIR KIT (BLOTMC)

If you are installing the forced air kit, Model BLOTMC, see the installation instructions provided with the kit for electrical wiring requirements. The firebox must be connected to main power supply at time of firebox installation. The blower must be installed prior to the installation of the vent free heater. The electrical connections must be made before the firebox is framed and enclosed in the finished walls.

⚠ WARNING!

Electrical connections should only be performed by a qualified, licensed electrician, main power must be off when connecting to main electrical power supply or performing service.

When installed, the blower must be electrically grounded in accordance with local codes or in the absence of local codes, with the National Electrical Code ANSI/NFPA 70.

PANELS

BMGLR32	Black Magic Glass Kit for LCUF32
BMGLR36	Black Magic Glass Kit for LCUF36
BMGLR42	Black Magic Glass Kit for LCUF42
FBPREMT32	Premium Firebrick Traditional for LCUF32
FBPREMT36	Premium Firebrick Traditional for LCUF36
FBPREMT42	Premium Firebrick Traditional for LCUF42
FBPREMH32	Premium Firebrick Herringbone for LCUF32
FBPREMH36	Premium Firebrick Herringbone for LCUF36
FBPREMH42	Premium Firebrick Herringbone for LCUF42

Optional panels (left, right, and back) may be installed in the LCUF32CR-B, LCUF36-CR-B, AND LCUF42CR-B. If panels are replaced, please refer to the firebrick liner kit installation instructions provided with the panels for more information.

For LCUF32CR-B, LCUF36-CR-B, AND LCUF42CR-B refractory panels are shipped installed. Once unit is in place, remove the shipping brackets from the left and right front.

NOTE: Brackets located on top and bottom of side panels remain in place. See Figure 9.1.

NOTE: When replacing side and back panels to optional sets, the original refractory hearth brick may be used with those sets or taken out for bare metal floor.

ACCENT LIGHT KIT (MONAL)

If you are installing the ascent light kit, Model MONAL, see the installation instructions provided with the kit for electrical wiring requirements. The firebox must be connected to a main power supply at time of firebox installation. The accent light kit must be installed prior to the installation of the vent free heater. The electrical connections must be made before the firebox is framed and enclosed in the finished walls.

OPTIONAL DOOR KIT (DLR32B, DLR36B, DLR42B)

If you are installing the optional door kit, see the installation instructions provided with the kit.

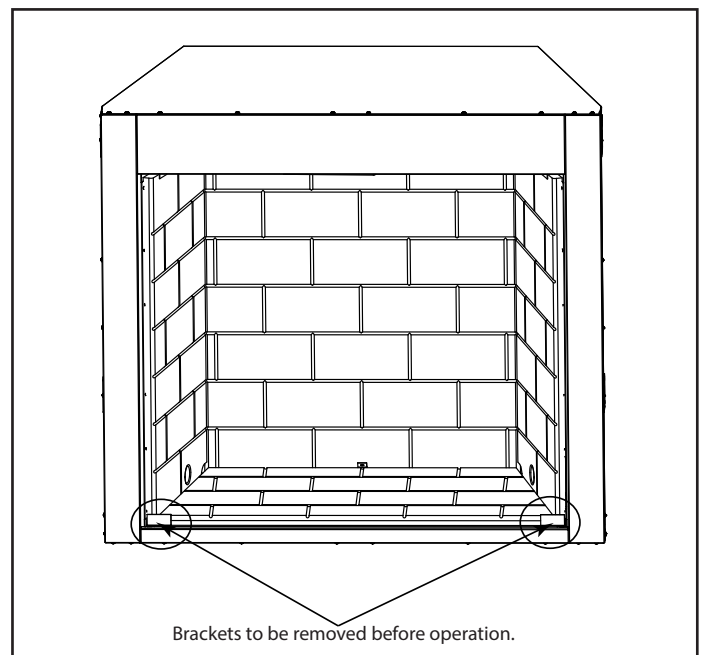


Figure 9.1

10 Service Parts

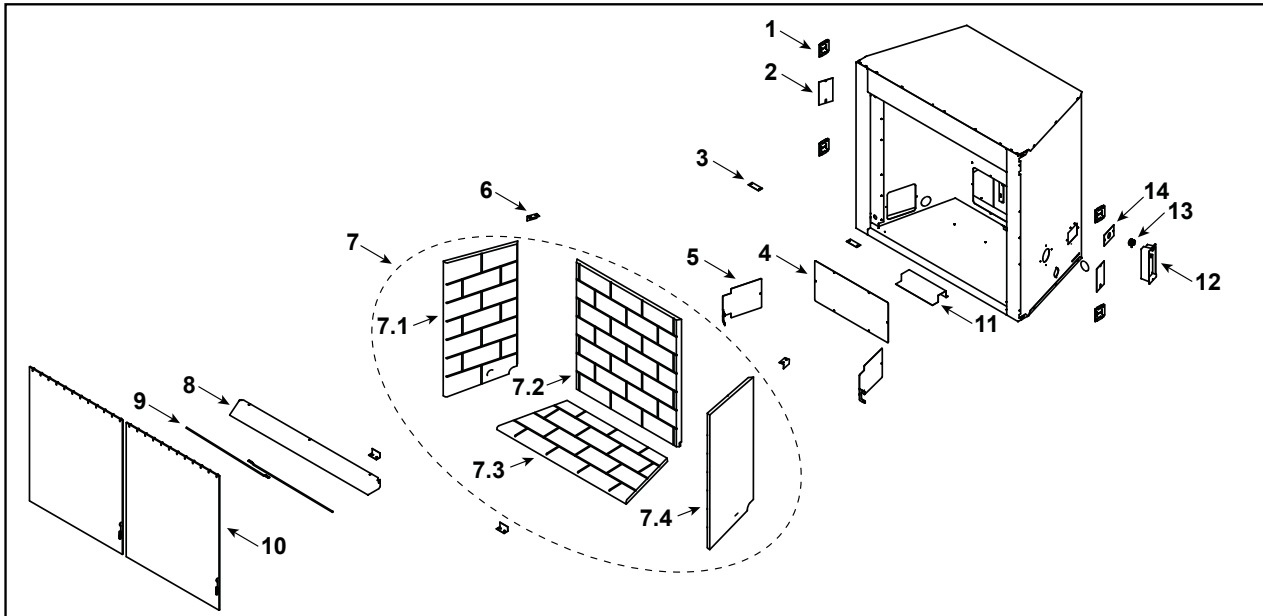


Service Parts

LCUF32CR-B

**Lo-Rider
32" Vent Free Fireplace**

Beginning Manufacturing Date: July 2018
Ending Manufacturing Date: Active



IMPORTANT: THIS IS DATED INFORMATION. Parts must be ordered from a dealer or distributor. **Hearth and Home Technologies does not sell directly to consumers.** Provide model number and serial number when requesting service parts from your dealer or distributor.



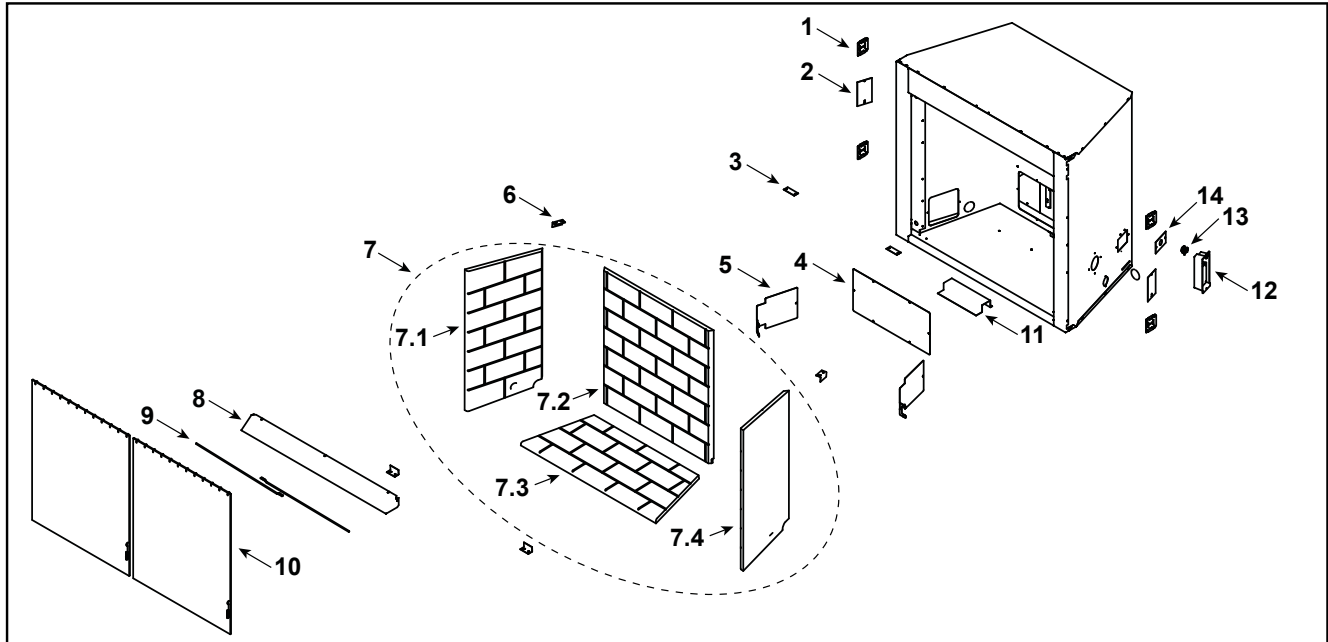
Stocked at Depot

ITEM	DESCRIPTION	COMMENTS	PART NUMBER	
1	Nailing Flange	Qty 4 req	31190	
2	Junction Box Cover Plate	Qty 2 req	SRV26548	
3	Plate, Socket	Qty 2 req	SRV4607-144	
4	Firebox, Rear Access Panel		SRV4607-110	
5	Firebox, Left/Right Access	Qty 2 req	SRV4607-111	
6	Bracket, Brick Front	Qty 4 req	71D0124K	
7	Refractory			
7.1	Refractory, Left Basic		SRV4608-701	
7.2	Refractory, Back Basic		SRV4608-704	
7.3	Refractory, Hearth		SRV4608-707	
7.4	Refractory, Right Basic		SRV4608-702	
8	Canopy		SRV4612-107	
9	Firescreen Rod	Qty 2 req	26D01232K	
10	Screen, Panel (24" W x 30" H)	Qty 2 req	SRV26D4563	
11	Blower Base		SRV4607-143	
12	Junction Box	Plastic	SRV4021-013	Y
13	Clamp Connector		SRV230-1670	
14	Junction Box Cover	Qty 2 req	SRV4604-103	
	Firebox Touch Up Paint		SRV4021-110	
	Gloss Black Corvel Aerosol		71479	

5/18

Lo-Rider
36" Vent Free Fireplace

Beginning Manufacturing Date: July 2018
Ending Manufacturing Date: Active



IMPORTANT: THIS IS DATED INFORMATION. Parts must be ordered from a dealer or distributor. **Hearth and Home Technologies does not sell directly to consumers.** Provide model number and serial number when requesting service parts from your dealer or distributor.



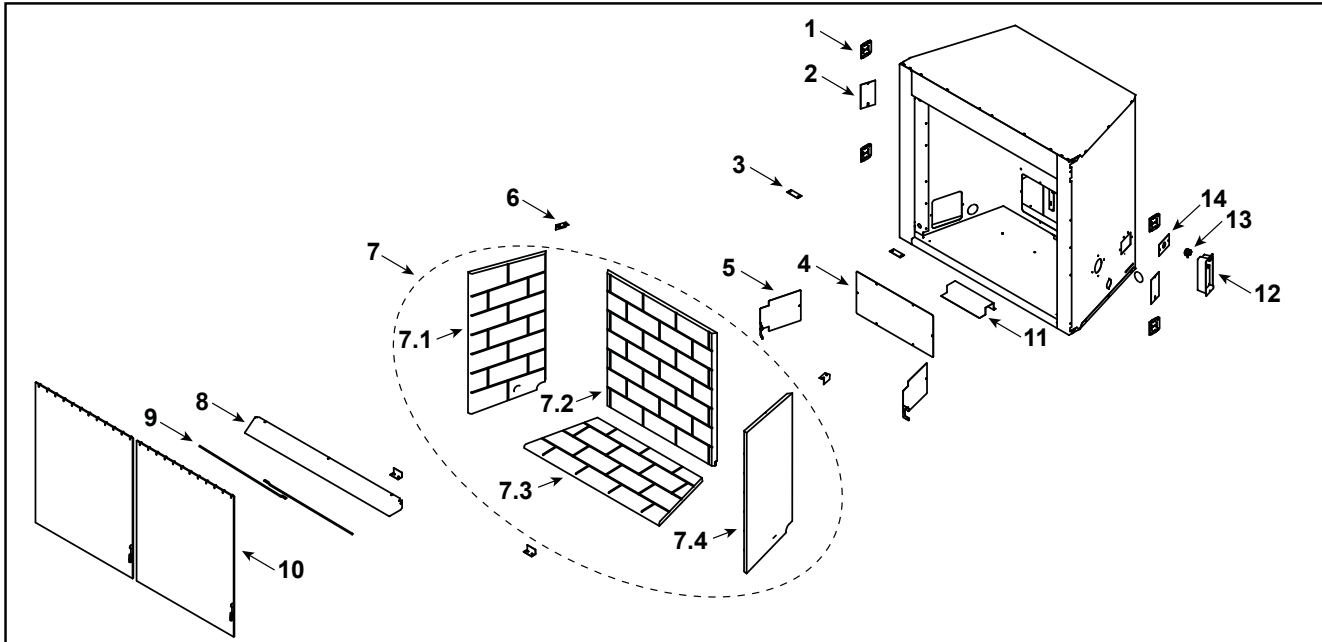
Stocked at Depot

ITEM	DESCRIPTION	COMMENTS	PART NUMBER	
1	Nailing Flange	Qty 4 req	31190	
2	Junction Box Cover Plate	Qty 2 req	SRV26548	
3	Plate, Socket	Qty 2 req	SRV4607-144	
4	Firebox, Rear Access Panel		SRV4607-110	
5	Firebox, Left/Right Access	Qty 2 req	SRV4607-111	
6	Bracket, Brick Front	Qty 4 req	71D0124K	
7	Refractory			
7.1	Refractory, Left Basic		SRV4608-701	
7.2	Refractory, Back Basic		SRV4608-700	
7.3	Refractory, Hearth		SRV4608-705	
7.4	Refractory, Right Basic		SRV4608-702	
8	Canopy		SRV4607-107	
9	Firescreen Rod	Qty 2 req	SRV12052	
10	Screen, Panel (24" W x 30" H)	Qty 2 req	SRV26D4563	
11	Blower Base		SRV4607-143	
12	Junction Box	Plastic	SRV4021-013	Y
13	Clamp Connector		SRV230-1670	
14	Junction Box Cover	Qty 2 req	SRV4604-103	
	Firebox Touch Up Paint		SRV4021-110	
	Gloss Black Corvel Aerosol		71479	



Lo-Rider
42" Vent Free Fireplace

Beginning Manufacturing Date: July 2018
Ending Manufacturing Date: Active



IMPORTANT: THIS IS DATED INFORMATION. Parts must be ordered from a dealer or distributor. **Hearth and Home Technologies does not sell directly to consumers.** Provide model number and serial number when requesting service parts from your dealer or distributor.



Stocked
at Depot

ITEM	DESCRIPTION	COMMENTS	PART NUMBER	
1	Nailing Flange	Qty 4 req	31190	
2	Junction Box Cover Plate	Qty 2 req	SRV26548	
3	Plate, Socket	Qty 2 req	SRV4607-144	
4	Firebox, Rear Access Panel		SRV4607-110	
5	Firebox, Left/Right Access	Qty 2 req	SRV4607-111	
6	Bracket, Brick Front	Qty 4 req	71D0124K	
7	Refractory			
7.1	Refractory, Left Basic		SRV4608-701	
7.2	Refractory, Back Basic		SRV4608-703	
7.3	Refractory, Hearth		SRV4608-706	
7.4	Refractory, Right Basic		SRV4608-702	
8	Canopy		SRV4611-107	
9	Firescreen Rod	Qty 2 req	SRV4010-102	
10	Screen, Panel (24" W x 30" H)	Qty 2 req	SRV4611-200	
11	Blower Base		SRV4607-143	
12	Junction Box	Plastic	SRV4021-013	Y
13	Clamp Connector		SRV230-1670	
14	Junction Box Cover	Qty 2 req	SRV4604-103	
	Firebox Touch Up Paint		SRV4021-110	
	Gloss Black Corvel Aerosol		71479	

C. Contact Information

– NOTES –



LOVE AT FIRST LIGHT

Monessen, a brand of Hearth & Home Technologies
7571 215th Street West, Lakeville, MN 50044
www.monessenhearth.com