

Log Placement Instructions

Models: Mojo22-R/Mojo27-R

BEFORE YOU BEGIN

Mojo logs are sold separately. Do not handle these logs with your bare hands. **Always wear gloves to prevent skin irritation from refractory material.** After handling the logs, wash your hands gently with soap and water to remove any traces of refractory material.

WARNING

- **Gloves are recommended when handling logs to prevent skin irritation from loose fibers. Logs are fragile - handle with care.**
- **Use only rock wool provided with log set.**
- **DO NOT ADD ADDITIONAL ROCK WOOL.**

PLACE ROCK WOOL

Before installing logs, place rockwool in dime size pieces evenly over small burner ports starting in front of the rear deflector shield towards the front. Avoid placing rock wool over the slots on rear and right side of burner and on large yellow flame ports on front of burner.

Wash hands after placing rock wool. Itching may occur.

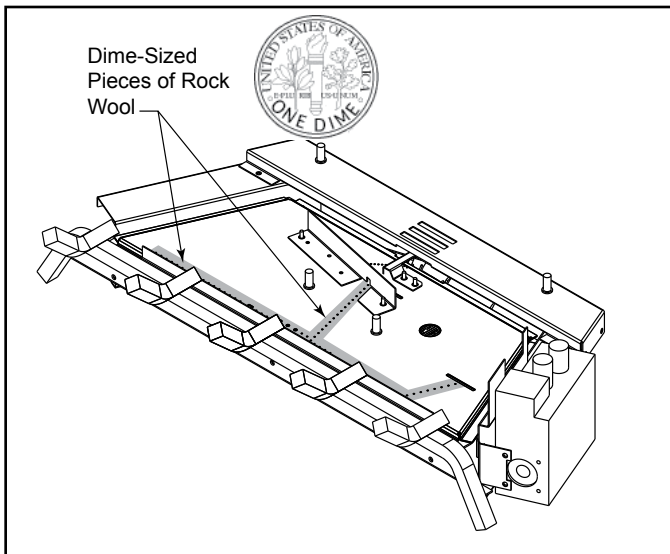


Figure 1 - Installing Rock Wool

WARNING

The positioning of the logs is critical to the safe and clean operation of this heater. Sooting and other problems may result if the logs are not properly and firmly positioned in the appliance. Never add additional logs or embellishments such as pine cones, vermiculite or rock wool to the heater. Only use 2G-RW rock wool supplied with the unit.

Failure to position the parts in accordance with diagrams below or to use only parts specifically approved for this heater may result in property damage or personal injury.

NOTE — This unit is supplied with eight (8) ceramic fiber logs. Do not handle these logs with your bare hands. **Always wear gloves to prevent skin irritation from ceramic fibers.** After handling the logs, wash your hands gently with soap and water to remove any traces of fibers.



Figure 2 - Correct Rock Wool Placement

LOG PLACEMENT

1. Place log #8 on right bracket next to valve by sliding grooves on sides of log into cutout on brackets. Figure 3.



Figure 3 - Log #8 Placement

2. Place log #1 over the two pins located on the rear log bracket. Figure 4.

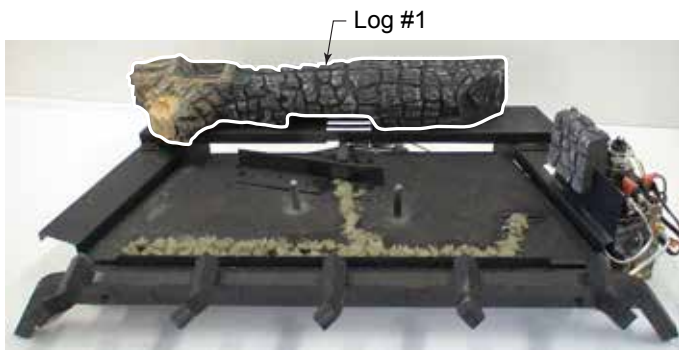


Figure 4 - Log #1 Placement

3. Log #2 is positioned over the two pins located in the middle of the burner pan. The log will set at a slight angle. Figure 5.



Figure 5 - Log #2 Placement

4. Place log #3 at an angle over log #2 toward the back by matching the rectangular notch on the bottom of this log with the rectangular protrusion on log #2. Set the notch located on the bottom of this log toward the back over the metal bracket located to the right side of the burner. Figure 6.



Figure 6 - Log #3 Placement

5. Place Log #4 by matching the rectangular protrusion on the bottom of this log over the rectangular notch on log #3. Swing the log slightly to the front and set the log over the notch located on the upper surface of log #3. Figure 7.



Figure 7 - Log #4 Placement

- Place log #5 by matching the rectangular notch on the bottom of the log with the rectangular protrusion on log #2. Set the notch on the bottom of this log over the very far left tong on the grate. Figure 8.



Figure 8 - Log #5 Placement

- Place log #6 at an angle over log #5 toward the back by matching the rectangular notch on the bottom of this log with the rectangular protrusion on log #5. Set the notch located on the bottom of this log toward the back over the metal bracket located to the left side of the burner. Figure 9.



Figure 9 - Log #6 Placement

- Place log #7 between the second and third right tong on the grate as shown in Figure 10.



Figure 10 - Installing Rock Wool

PLACE THE DECORATIVE ROCK

The volcanic rocks are shipped with your log set. The volcanic rocks may be placed around the unit on the floor of the firebox. Be sure to avoid any areas on the burner itself.

CAUTION DO NOT sprinkle volcanic rocks on the logs, around the pilot, nor near the burners. This may cause sooting. Place volcanic rocks only on the floor of the fireplace. During initial operation of the new heater, new burning logs and/or rock wool will give off a paper burning smell and orange flames will be present. Simply open the windows for a few hours to vent the odor.



Monessen, a brand of Hearth & Home Technologies
7571 215th Street West, Lakeville, MN 55044
www.monessenhearth.com