



Unique architectural statements offer multiple views of a spectacular fire with the installation flexibility of a direct-vent or B-vent configuration.

**LENNOX**  
HEARTH PRODUCTS

**ELITE**® SERIES



**See-Through model (EBVST)** shown with optional brushed stainless trim.

■ The Elite® Series Multi-View gas fireplace offers several unique designs that make a statement of individual style and sophistication. Available in the two-sided See-Through, Corner and three-sided Peninsula configurations\* these fireplaces excel with realism and reliable performance. As interior design elements, they act as creative room separators or provide harmonious flow from one space to another. With exceptional viewing areas and intense flame presentations, each configuration creates a beautiful, natural-looking fire that enhances the comfort and elegance in several rooms. ■



**Left Corner open direct-vent model (EDVCL)** shown with optional polished brass arch door kit and optional Buff Rustic brick liner kit.

## STANDARD FEATURES

Expansive flush-face glass views for the ultimate fire enjoyment

Deluxe split oak-style log set delivers exceptional realism

Dramatic pan burner fire system (natural or propane gas) provides an intense and active flame

Variable flame operation (millivolt models only) allows for customized control

Easy-access flip-down fireplace control panel

Unit-mounted On/Off switch; pre-wired for wall switch

Choice of standing pilot (works in power failure) or electronic (intermittent) ignition

Weld-free construction

Lennox 20-year limited warranty

Backed by the Good Housekeeping Seal

## DIRECT-VENT FIREPLACE EFFICIENCY %

MODEL	GAS	ENERGUIDE*	STEADY STATE	AFUE**
EDVST	NG	62	70	68
	LP	61	70	68
EDVPF	NG	61	70	68
	LP	62	70	68
EDVCR/CL	NG	59	69	67
	LP	60	70	68

\*Intermittent ignition systems

\*\*Annual Fuel Utilization Efficiency (AFUE) is the recognized U.S. rating system for the total efficiency of heating products.

\*\*\*Provide a barrier to prevent direct contact with hot glass surface.

## FIREPLACE SPECIFICATIONS

MODEL	FRAMING WIDTH	FRAMING HEIGHT	FRAMING DEPTH	BTU/HR
EDVST	48-1/2"	41-1/2"	22-3/4"	39,000
EDVPF	43-5/8"	41-1/2"	22-3/4"	39,000
EDVCR/CL	43-5/8"	41-1/2"	24"	39,000
EBVST	41-1/2"	41-1/2"	22-3/4"	37,000
EBVPF	40-1/8"	41-1/2"	22-3/4"	37,000

## OPTIONAL ACCESSORIES

Decorative polished brass or brushed stainless accessories (louvers, door trim and eyebrow hood kits)

- Choice of three wireless remotes:
  - Model RCL – On/Off wireless remote with LCD screen
  - Model RCL-STAT – On/Off wireless remote with LCD screen plus thermostatic control, timer and clock
  - Model RCL-M – On/Off wireless remote with LCD screen, thermostatic control, timer and clock plus flame adjustment and fan control

### 2 Screen panel kits\*\*\*

Optional ceramic fiber brick-pattern panels for sides and rear of firebox (direct-vent models)

- Fan kits (direct-vent models):
- FBK-100 – On/Off operation
  - FBK-200 – wall-mounted rheostat control
  - FBK-250 – temperature sensor control, plus unit-mounted rheostat control

Outside air kits (B-vent models)



EDVST-B



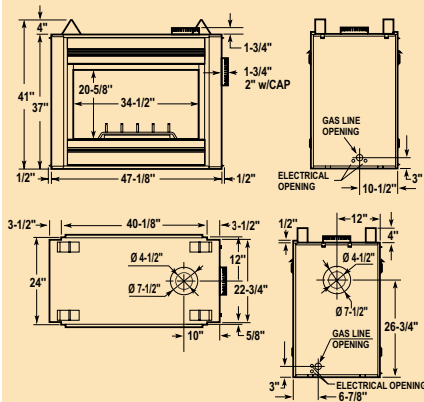
EBVPF-B



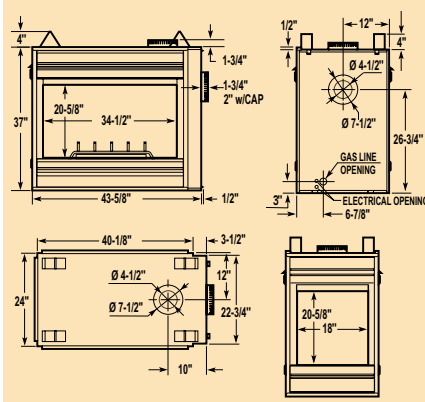
EDVCR-B (right)

## DIMENSIONS

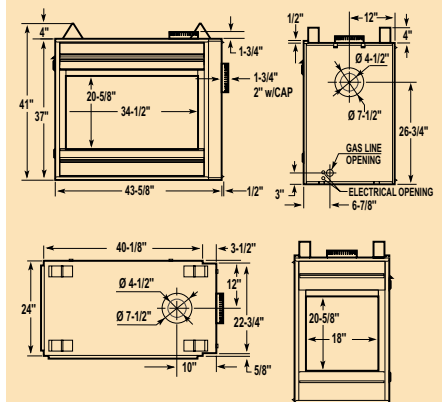
### EDVST (Direct-Vent)



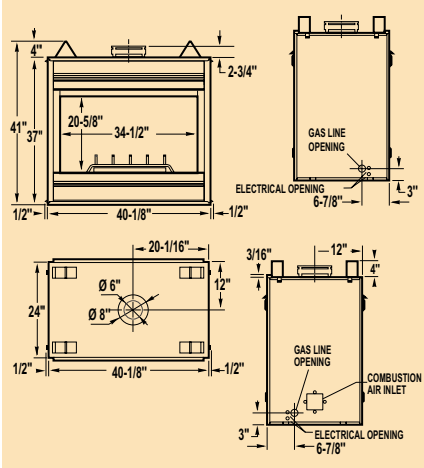
### EDVPF (Direct-Vent)



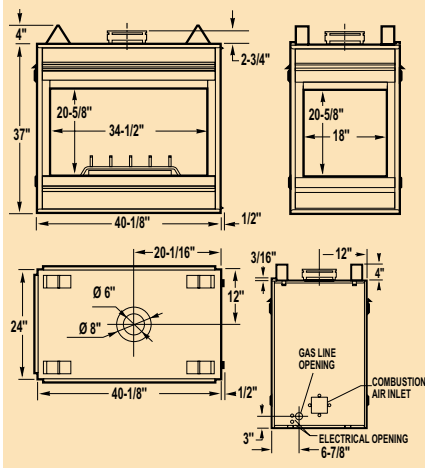
### EDVCR/CL (Direct-Vent)



### EBVST (B-Vent)



### EBVPF (B-Vent)



\*Viewable glass height 24" decorative top and bottom door trim removed.

**On cover: EDVPF shown with optional Buff Rustic brick liner kit.**

#### IMPORTANT NOTES:

As with any heating appliance, fireplace or stove, this appliance is extremely hot during operation. Read and understand all operating instructions before using this appliance. For further information, consult your dealer.

Local conditions, such as elevation, wind, vent configuration and choice of fuel will affect overall appearance of the fire and heating performance. Performance can also vary with home design and insulation, climate, condition and type of fuel used, appliance location, burn rate, accessories chosen, chimney installation and how the appliance is operated.

Diagrams, illustrations and photographs are not to scale—consult installation instructions. Product designs, materials, dimensions, specifications, colors and prices are subject to change or discontinuance without notice.

Approved to U.S. and Canadian safety and performance standards—ANSI Z21.88/CSA 2.33-M98 vented gas fireplace heaters and ANSI Z21.50/CSA 2.17-M98 decorative gas appliances.

## PRODUCTS AND DEALERS YOU CAN COUNT ON

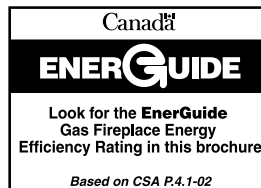
At Lennox, we understand how important it is for you to feel comfortable at home, so we're committed to providing you with the finest hearth products available. Choosing the right dealer for your hearth needs is every bit as important as choosing the right brand, and we think you'll agree that our dealers are a big reason why you can count on getting quality customer service when you call.

**LENNOX**

**HEARTH PRODUCTS**

© Lennox Industries Inc. 2011

Visit us at [www.lennox.com](http://www.lennox.com), or contact us at 1-800-9-LENNOX.



100% recycled