

WRT4820WS

EPA Wood Burning Fireplaces Specifications

Cat.#	Model	Description
F1794	WRT4820WS	EPA Wood-Burning fireplace

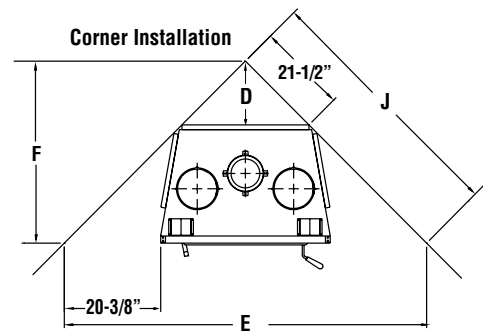
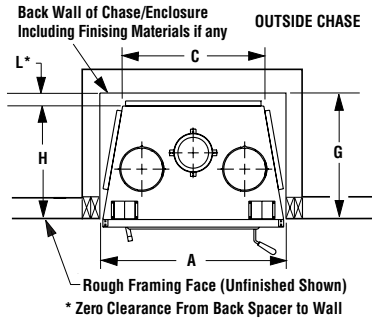
PRODUCT REFERENCE INFORMATION	
Weight	385 lbs
Height	36"
Width	36"
Depth	24-1/2"
Firebox W x H x D measured in front	22" x 11-3/4" x 12"
Chimney weight ASHT* (6" dia)	6.25 lb/ft.
Chimney weight AC* (6" dia)	3.25 lb/ft.

*Available from Security Chimneys™

FRAMING DIMENSIONS		
A	36-1/4"	921 mm
B	40-3/4"	1035 mm
C	28-1/8"	714 mm
D	13-1/4"	337 mm
E	76-3/4"	1950 mm
F	38-3/8"	975 mm
G	*25"	635 mm
H	24-1/2"	622 mm
J	54-1/4"	1378 mm
K	8"	203 mm
L	1"	25 mm

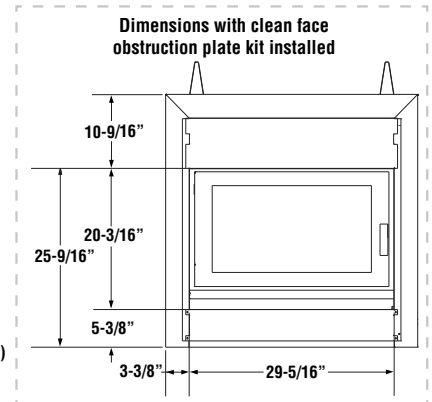
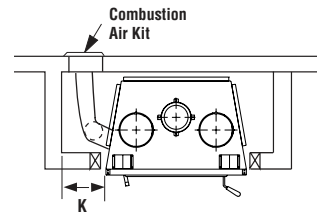
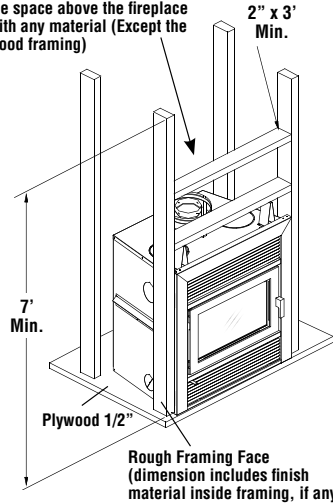
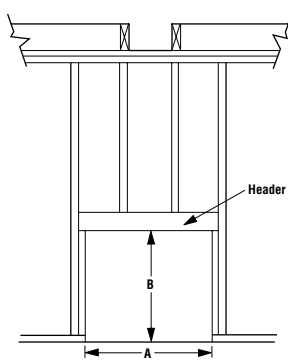
* Total depth is 25-1/2 inches including the back spacer minus 1/2 inch for drywall to be flush with the facing.

Framing Dimensions



Combustible materials can NOT be used in the space directly above the fireplace. Do not fill the space above the fireplace with any material (Except the wood framing)

2" x 3" Min.

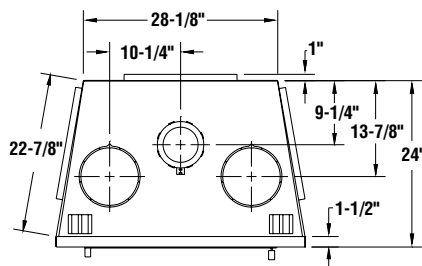


Listing Information



These fireplaces have been tested and listed by ITS - Listing mark, Warnock Hersey to ULC-S610 & UL-127.

Report No. 3011202
EPA Cert. No. 537



Notes
Diagrams, illustrations and photographs are not to scale - consult installation instructions. Product designs, materials, dimensions, specifications, colors and prices are subject to change or discontinuance without notice.
All framing dimensions calculated for 1/2\"/>
* The fireplace must not be in contact with any insulation or loose filling material. Cover the insulation with drywall panels around the fireplace.

PARTS REQUIRED

- Finishing Kit - Required * (Order Separately)
 - Louver kit
 - OR
 - Clean face obstruction plate kit. Must be used in conjunction with a gravity vent kit.

*SEE "INSTALLING THE FINISHING KITS" SECTION FOR THE ASSEMBLY OF THE FINISHING KITS.

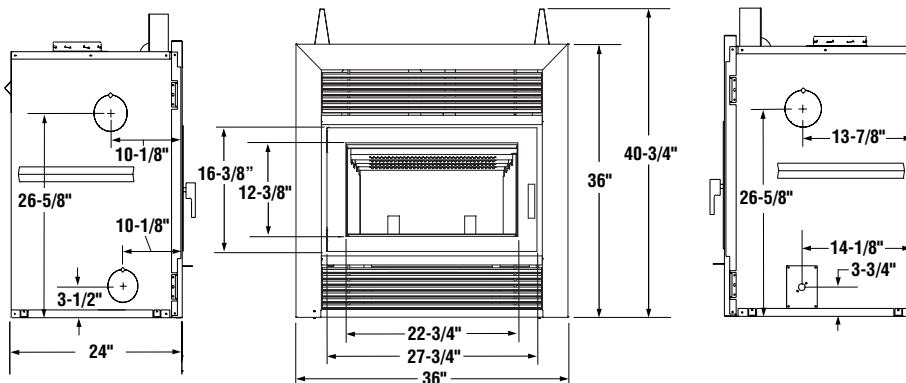
- Black steel door - Required (included w/fireplace)
- Outside air kit - Required (included w/fireplace)
- Blower kit with thermo-disc (included w/fireplace)
- 6" diameter chimney* - model ASHT+, S-2100+, HT6000+, HT6103+ or AC manufactured by Security Chimneys International only, including:
 - Chimney lengths
 - Elbows (where necessary)
 - Associated components as per installation and operation manual.

OPTIONAL EQUIPMENT

- AC chimney adaptor * (required if using AC chimney)
- AC chimney outside air kit
- Gravity venting system
- Central forced air kit
- Blower speed control
- Rigid Firescreen

*Available from Security Chimneys™ Page 1 of 2

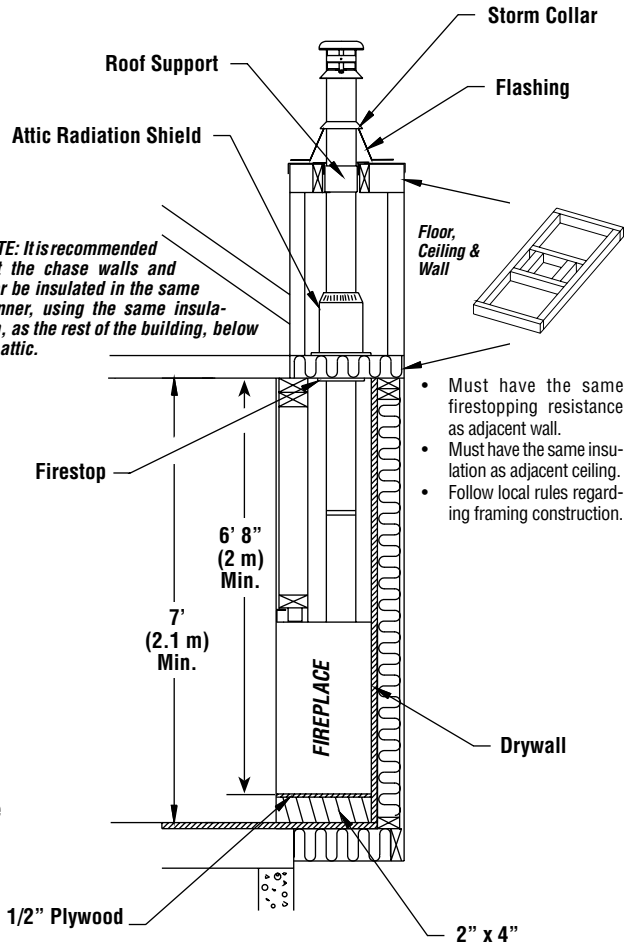
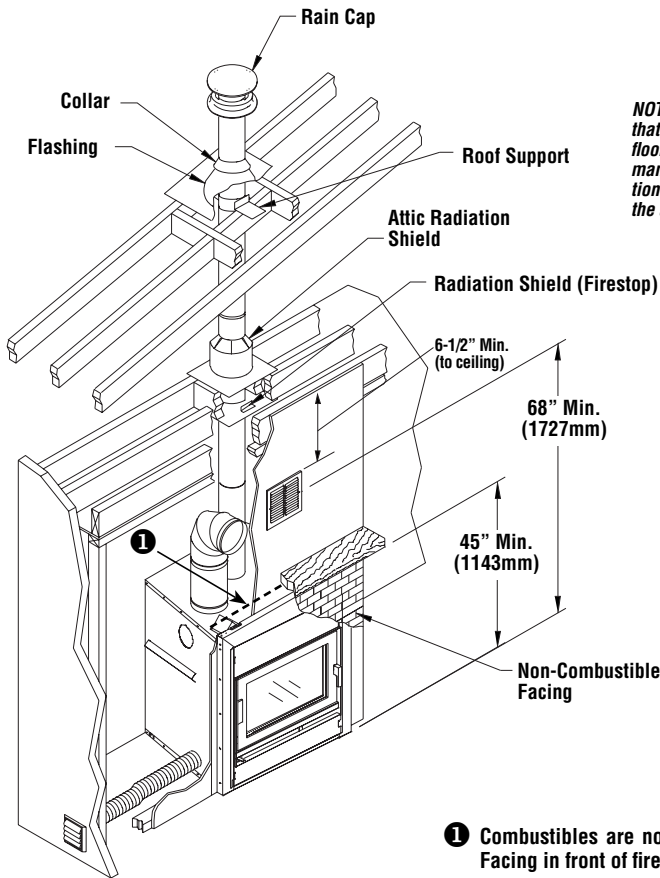
Fireplace Dimensions



WRT4820WS

EPA Wood Burning Fireplaces Specifications

Typical Installations



① Combustibles are not allowed below top spacers above the fireplace. Facing in front of fireplace must be non-combustible below this area.

CLEARANCE TO COMBUSTIBLES

The following clearances meet the minimum requirements for a safe installation:

Side wall: 24" (610 mm) measured from the fireplace side.

Ceiling: 6' 8" (2032 mm) measured from the base of the fireplace.

Fireplace enclosure:

- Bottom:** 0"
- Side:** 0" to spacer
- Back:** 0" to spacer

Top: Do not fill the space above the fireplace with any material (Except the wood framing)

Chimney: 2" (50 mm)

Mantel: 45" (1143 mm) measured from the base of the fireplace.

Combustible Clearances

