

VRT3500 SERIES

PRO SERIES VENT-FREE GAS FIREBOXES

Superior
FIREPLACES
Our name is our promise.



TRADITIONAL

These universal vent-free fireboxes offer an expansive true 36" and 42" brick-to-brick opening in a large clean face design that is versatile and compliments any home

FEATURES

- 🔥 Clean-face design for more finish design options
- 🔥 White stacked brick refractory liner available in either stacked or herringbone pattern
- 🔥 Durable powder-coat finish creates scratch-resistant surfaces and care free handling
- 🔥 Gas knockouts located on both sides for easy installation
- 🔥 Mesh fire screens
- 🔥 20 year limited warranty

INTERIOR LINER OPTIONS

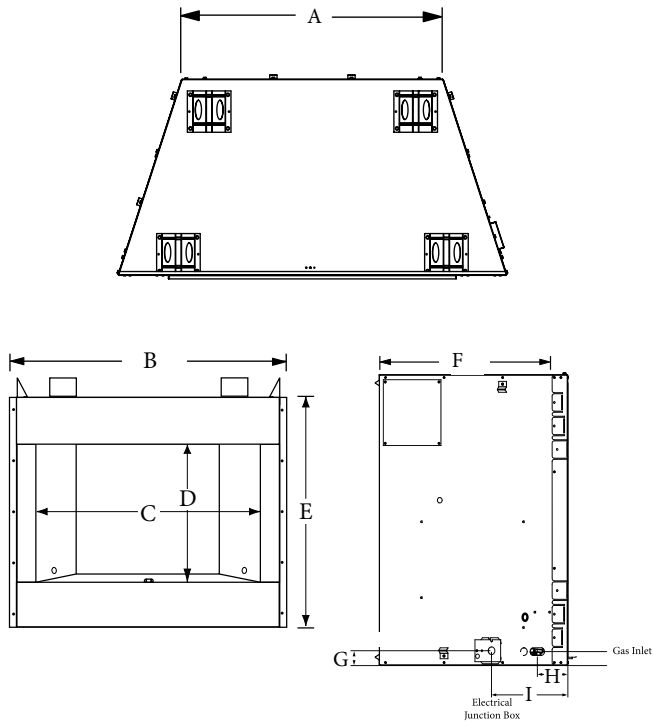


White Stacked



White Herringbone

APPLIANCE SPECIFICATIONS



| | | |
|---|---------|---------|
| | 36" | 42" |
| A | 23-1/2" | 41-1/4" |
| B | 41-3/4" | 41-3/4" |
| C | 36" | 36" |
| D | 28" | 28" |
| E | 37-1/4" | 41-1/4" |
| F | 26" | 26" |
| G | 1-5/16" | 1-5/16" |
| H | 7-1/2" | 7-1/2" |
| I | 5-1/2" | 5-1/2" |

IMPORTANT NOTES:

As with any heating appliance, fireplace or stove, this appliance is extremely hot during operation. Read and understand all operating instructions before using this appliance. For further information, consult your dealer. Local conditions, such as elevation, wind, vent configuration and choice of fuel will affect overall appearance of the fire and heating performance. Performance can also vary with home design and insulation, climate, condition and type of fuel used, appliance location, burn rate, accessories chosen, chimney installation and how the appliance is operated.

DIAGRAMS, ILLUSTRATIONS AND PHOTOGRAPHS ARE NOT TO SCALE—CONSULT INSTALLATION INSTRUCTIONS. PRODUCT DESIGNS, MATERIALS, DIMENSIONS, SPECIFICATIONS, COLORS AND PRICES ARE SUBJECT TO CHANGE OR DISCONTINUANCE WITHOUT NOTICE.

OPTIONAL ACCESSORIES

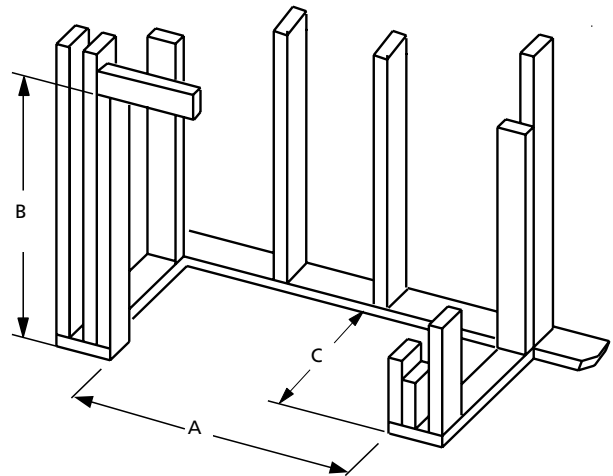


OPTIONAL ACCESSORIES

- A.** Decorative twin pane screen door
- B.** Blower kits
- C.** J-Box Kit (use with optional blower)
- D.** Outside air kit
- E.** Vent-free gas logs

FRAMING SPECIFICATIONS

| | | |
|---|---------|---------|
| | 36" | 42" |
| A | 42-1/4" | 42-1/4" |
| B | 40-1/4" | 44-1/4" |
| C | 20-1/2" | 20-1/2" |



Superior
FIREPLACES

© 2014 Innovative Hearth Products

785450M 01/14

Visit us online



www.SuperiorFireplaces.us.com

