

VRT/VRC3000 SERIES

PRO SERIES VENT-FREE GAS FIREBOXES

**Superior**  
FIREPLACES

*Our name is our promise.*

**TRADITIONAL**

These vent-free fireboxes combine performance, versatility and value to add the finishing touch and ambiance to any home.

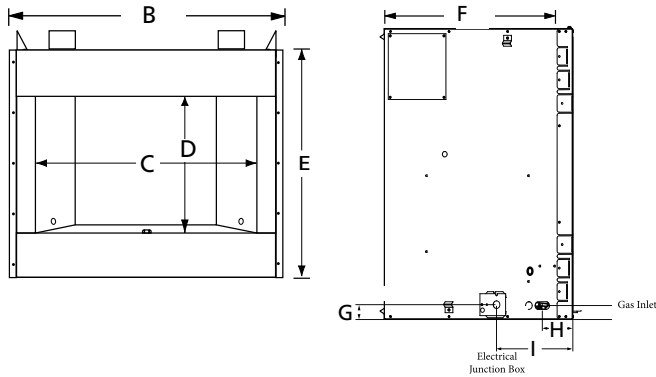
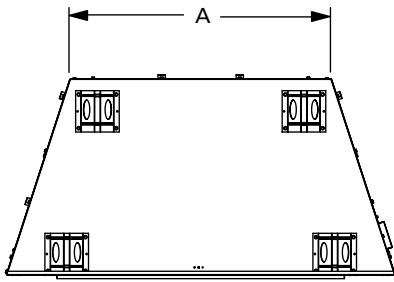
### FEATURES

- 🔥 Choice of radiant (VRT) or louvered (VCT) models
- 🔥 Three opening sizes: 32", 36" and 42"
- 🔥 Mesh fire screen retracts into hidden screen pockets
- 🔥 Full stacked brick lined interior in a variety of colors and patterns
- 🔥 Durable textured powder coat finish
- 🔥 Full length nailing flanges
- 🔥 Includes heat deflecting hood and pre-wired junction box
- 🔥 20 year limited warranty

### INTERIOR LINER OPTIONS



## APPLIANCE SPECIFICATIONS



|   | 32"     | 36"      | 42"      |
|---|---------|----------|----------|
| A | 22-1/4" | 29-1/8"  | 36-1/8"  |
| B | 36-1/8" | 4-1/8"   | 50-4/9"  |
| C | 29-3/8" | 34-8/9"  | 41-9/16" |
| D | 18-2/7" | 20-9/16" | 23-9/16" |
| E | 32-2/8" | 36-1/7"  | 40-1/7"  |
| F | 22-3/8" | 22-3/8"  | 22-3/8"  |
| G | 3-2/9"  | 3-7/16"  | 3-7/16"  |
| H | 6-8/9"  | 6-8/9"   | 6-8/9"   |
| I | 10-5/7" | 11-4/9"  | 11-4/9"  |

### IMPORTANT NOTES:

As with any heating appliance, fireplace or stove, this appliance is extremely hot during operation. Read and understand all operating instructions before using this appliance. For further information, consult your dealer. Local conditions, such as elevation, wind, vent configuration and choice of fuel will affect overall appearance of the fire and heating performance. Performance can also vary with home design and insulation, climate, condition and type of fuel used, appliance location, burn rate, accessories chosen, chimney installation and how the appliance is operated.

DIAGRAMS, ILLUSTRATIONS AND PHOTOGRAPHS ARE NOT TO SCALE—CONSULT INSTALLATION INSTRUCTIONS. PRODUCT DESIGNS, MATERIALS, DIMENSIONS, SPECIFICATIONS, COLORS AND PRICES ARE SUBJECT TO CHANGE OR DISCONTINUANCE WITHOUT NOTICE.

## OPTIONAL ACCESSORIES



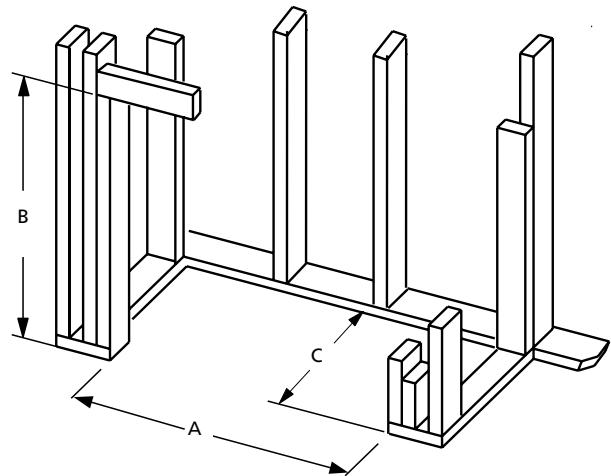
Cabinet Mantel

### OPTIONAL ACCESSORIES

- A.** Premium door facades in a variety of finishes
- B.** Fan Kits (VCT models only)
- C.** Perimeter trim kits in a variety of finishes
- D.** Outside air kit
- E.** Wood cabinet mantles
- F.** Ceramic fiber and porcelain liners
- G.** Gas logs

### FRAMING SPECIFICATIONS

|        | 32"     | 36"     | 42"     |
|--------|---------|---------|---------|
| WIDTH  | 34-1/2" | 41-3/8" | 48-1/4" |
| HEIGHT | 36-5/8" | 40-1/4" | 43-3/4" |
| DEPTH  | 16-5/8" | 21-1/8" | 23-1/2" |



Visit us online



www.SuperiorFireplaces.us.com



© 2014 Innovative Hearth Products  
785452M 01/14

