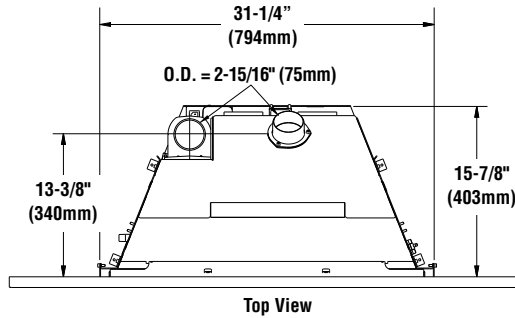


DRI2530TEN & DRI3030TEN

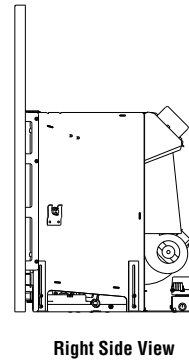
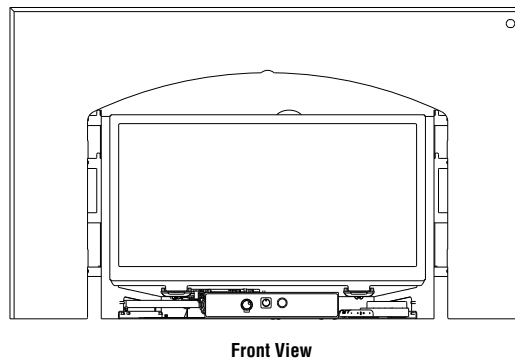
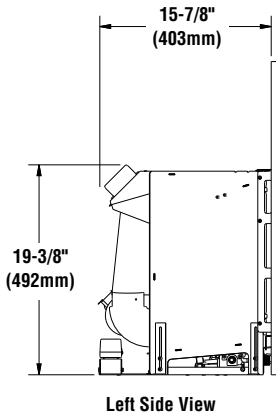
Appliance Specifications

DIRECT VENT FIREPLACE INSERT



Input (BTU) - Electronic Models	
Fuel	DRI2530TEN & DRI3030TEN Input Rate (BTU / HR)
Nat. Gas	Hi 40,000 Lo 28,000
LP Gas	Hi 37,500 Lo 26,000

Insert Dimensions



Insert Clearances

MINIMUM FIREPLACE SIZES REQUIRED

Front Opening Width	31-1/2" (800mm)
Height	19-1/2" (495mm)
Rear Width	18" (457mm)
Depth	16" (406mm)

MINIMUM CLEARANCES TO COMBUSTIBLES

A = Top Facing to Bottom of Appliance	35-1/2" (902mm)
B = Side Facing or Side Wall to Center of Glass	25-1/2" (648mm)
* C = 10.5" (267mm) Mantel to Bottom of Appliance	43" (1092mm)

HEARTH PROTECTION

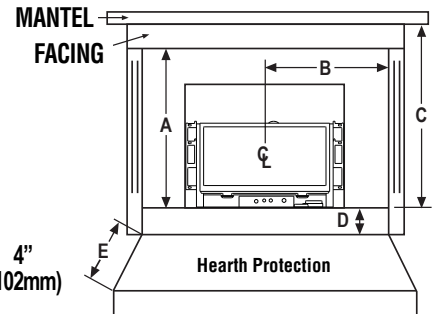
D = Vertical Distance from base of appliance to Hearth Extension	0"	2"	4"	0"	2"	4"
	(0mm)	(51mm)	(102mm)	(0mm)	(51mm)	(102mm)
E = Minimum Horizontal Distance from Front of Appliance	14"	10"	0"	13"	10"	0"
	(356mm)	(254mm)	(0mm)	(330mm)	(254mm)	(0mm)

DRI3030TEN-33 & DRI2530TEN-33

Front Opening Width	31-1/2" (800mm)
Height	19-1/2" (495mm)
Rear Width	18" (457mm)
Depth	16" (406mm)

A = Top Facing to Bottom of Appliance	31-1/2" (800mm)
B = Side Facing or Side Wall to Center of Glass	25-1/2" (648mm)
* C = 10.5" (267mm) Mantel to Bottom of Appliance	39" (991mm)

MINIMUM CLEARANCES



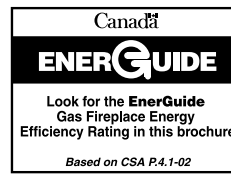
NOTE: Hearth protection to be min. 3/8" (10mm) thick non-combustible or equivalent, with a k factor of .84.

Listing Information

This insert has been tested and certified by OMNI -Test Laboratories to ANSI Z21.88 / CSA 2.33 Standard for Vented Gas Fireplace Heater and CGA 2.17-M91 and UL 307B Gas Burning Heating Appliances for Manufactured (Mobile) Homes in both USA and Canada.



Report # 100501897PRT-001



Efficiency	
	DRI2530TEN & DRI3030TEN
EnerGuide P4	67.17% - NG 69.07% - LP
Steady State**	83%-86%

** Efficiency varies slightly with various pipe configurations.

NOTE: Diagrams, illustrations and photographs are not to scale—consult installation instructions. Product designs, materials, dimensions, specifications, colors and prices are subject to change or discontinuance without notice.

DRI2530TEN & DRI3030TEN

Product Reference Information			
Cat. No.	Description	Ship. Weight	Ship. Volume
F1787	DRI2530TEN	144 lb.	16.9 cu. ft.
F1788	DRI3030TEN	144 lb.	16.9 cu. ft.

Vent Kits

Selkirk -

- Flex Liner 3" X 35' - #AF35-03
- Flex Liner 3" X 25' - #AF25-03
- Flex Liner 3" X 15' - #AF15-03
- Adaptor w/ Flashing - #4DT-CTB
- Termination Cap - #4DT-VT

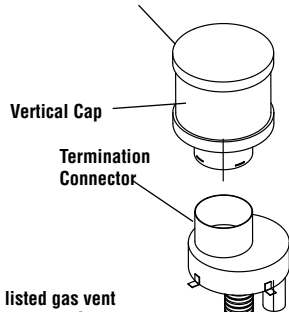
Amerivent -

- Flex Liner 3" X 35' - #3AFL-35
- Adaptor w/ Flashing - #4DCAT33
- Termination Cap - #4DVC

Simpson Dura Vent -

- Flex Liner 3" X 35' - #3DFA-35
- Adaptor w/ Flashing - #46DVA-GK
- Termination Cap - #46DVA-VCH With #460 DVA-VWG
- Termination Cap - #460DVA-VG
- Co-Linear Kit w/ 3" X 35' Flex Liner (Intake and Exhaust), Adaptor, Flashing and Termination Cap - #46DVA-CL33

The standard cap in Termination Kit TKDVI, and in Vent Kit DV3FK35 is a high wind cap



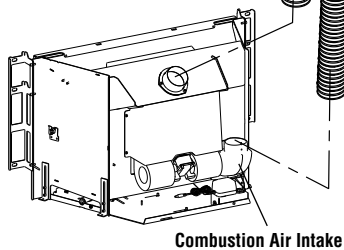
Liner Requirements:

Use 3" (76 mm) diameter listed gas vent liner (UL1777 ONLY) for the EXHAUST

Use 3" (76 mm) diameter listed liner (UL 181 or UL1777) for the AIR INTAKE

Vertical Height Min. = 10 ft. (3.1 M)
Vertical height Max. = 35 ft. (10.7 M)
NOTE: Measured from flue collar on unit to the end of the vent pipe or liner

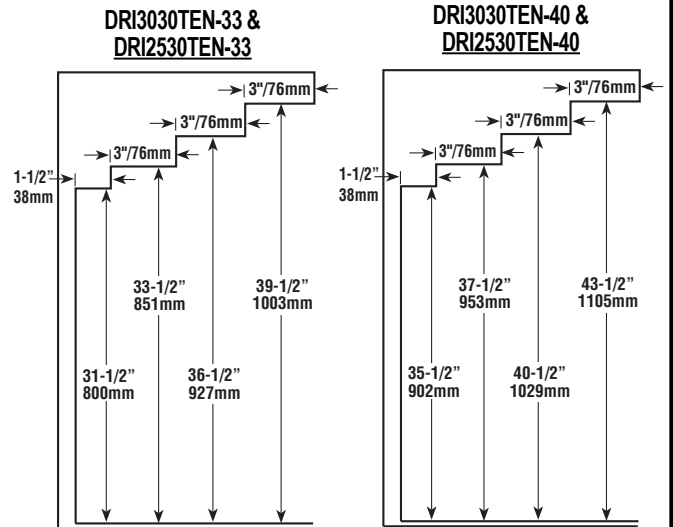
The flexible vent pipe must NOT be allowed to sag behind insert or in fireplace flue.



Typical Installation

The existing fireplace chimneys may take various contours which the flexible liners will accommodate. However, keep the flexible liner as STRAIGHT as possible, avoid unnecessary bending.

Facing and Mantel Clearances



Options

Decorative Faces (one required)

- Traditional and Arch inset
- Foundry™ Screen
- Screen Face
- Contemporary Face

Misc. Options

- GT Remote Control Kit (IPI only)
- ZC Lower Finish Panel/Reg Face Support
- ZC Front Support Extension

Surround Kits (one required)

- Traditional 1-pc. (41"W x 29"H)
- Traditional 3-pc. (41"W x 29"H, 48"W x 29"H, 41"W x 33"H or 48"W x 33"H)

Firebox Liner Kits (one required)

- Tan Brick
- Architectural Stone
- Red Brick
- Zen Garden

Standard Features

- Realistic log set
- Heavy, 14-gage aluminized steel firebox construction
- Approved for zero-clearance (metal) and masonry fireplaces
- Battery back-up in case of power outage
- Standard 155-CFM variable-speed blower delivers warm, consistent heat