

WRE4500 SERIES

 CUSTOM SERIES WOOD BURNING FIREPLACES

OUTDOOR


Our name is our promise.



TRADITIONAL

An ideal way to bring the cozy warmth of a blazing fire to an outdoor environment, with a rich, real masonry look and the easiest, most efficient design of any outdoor fireplace.



FEATURED WRE4550 with Warm Red Stacked brick.

EXCLUSIVE FEATURES

- 🔥 WRE4500 Series offers a 36", 42" and 50" model
- 🔥 Industry's finest looking refractory panels available in warm red or white in stacked and herringbone patterns
- 🔥 Uses IHP 12DM double wall wood-burning chimney
- 🔥 Appliance grade stainless steel approved for indoor and outdoor use
- 🔥 Full length nailing flanges for easier installation
- 🔥 Fully insulated fireplace for trouble free operation in colder climates
- 🔥 Includes stainless steel grate, mesh fire screens and tight fitting damper
- 🔥 20 year limited warranty



INTERIOR LINER OPTIONS

(Required)

Choose from Warm Red or White stacked and herringbone liner to complement your decor.



Warm Red Stacked



Warm Red Herringbone



White Stacked



White Herringbone

WOOD NOOKS

(Optional)

Choose from two wood nook styles



Round-Top Nook



Dog-House Nook

GLASS DOORS - BI FOLD



Brushed Brass

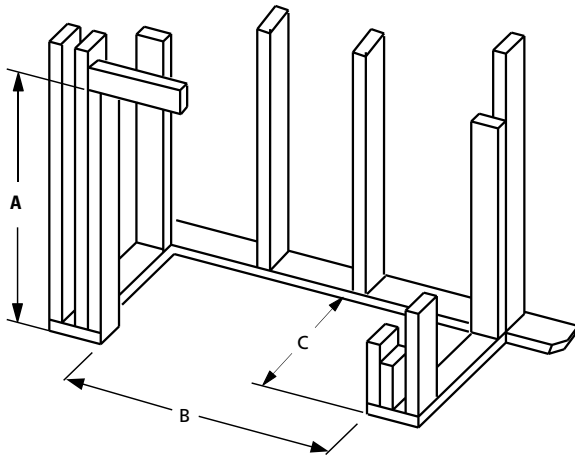


Black



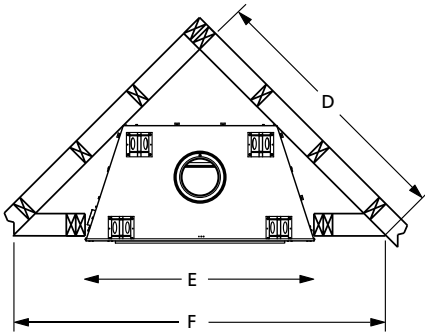
Platinum

FLAT WALL FRAMING SPECIFICATIONS



	36"	42"	50"
A	67-1/8"	67-1/8"	67-1/8"
B	45-1/4"	51-1/4"	59"
C	28-1/4"	30-1/8"	30-1/8"

CORNER FRAMING SPECIFICATIONS



	36"	42"	50"
D	61"	65"	71"
E	45-1/4"	51-1/4"	59"
F	86-1/2"	92"	100"

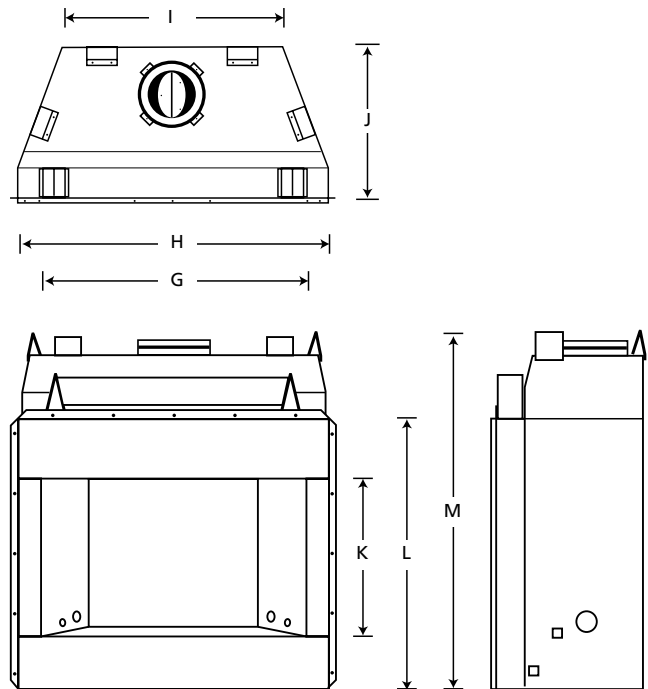
On The Cover WRE4550 with White Herringbone brick.

IMPORTANT NOTES:

As with any heating appliance, fireplace or stove, this appliance is extremely hot during operation. Read and understand all operating instructions before using this appliance. For further information, consult your dealer. Local conditions, such as elevation, wind, vent configuration and choice of fuel will affect overall appearance of the fire and heating performance. Performance can also vary with home design and insulation, climate, condition and type of fuel used, appliance location, burn rate, accessories chosen, chimney installation and how the appliance is operated.

Diagrams, illustrations and photographs are not to scale—consult installation instructions. Product designs, materials, dimensions, specifications, colors and prices are subject to change or discontinuance without notice.

APPLIANCE SPECIFICATIONS



	36"	42"	50"
G	36"	42"	50"
H	45"	51"	59"
I	29-1/8"	30-1/2"	38-1/2"
J	26-1/2"	29"	29"
K	30"	30"	30"
L	49"	49"	49"
M	66-1/4"	67"	67"



Visit us online



www.SuperiorFireplaces.us.com



© 2014 Innovative Hearth Products

785471M 04/14

