

VRE4300 SERIES

 CUSTOM SERIES VENT-FREE GAS FIREPLACES

OUTDOOR

**Superior**<sup>™</sup>  
FIREPLACES

*Our name is our promise.*

**TRADITIONAL**

The pleasure of an outdoor fireplace, the contemporary look of stainless steel, and the ease of ventless come together in elegant VRE4300 Custom Series Vent-Free Gas Fireplaces.



**FEATURED** VRE4342 with White Stacked brick and optional Bi-Fold Glass Doors.

## EXCLUSIVE FEATURES

- 🔥 Stainless Steel front face, top, bottom, and firebox parts provide weather-resistance and complementary elegance
- 🔥 Installs easily in any outdoor space with no chimney required
- 🔥 Available in 36" and 42" models
- 🔥 50,000 BTU hidden burner delivers tall dancing flames for the ultimate in fire realism
- 🔥 Exceptionally detailed charred oak log set imitates the natural look of real stacked wood
- 🔥 Tall opening and clean, louverless design provides an exceptional view of the flames
- 🔥 Battery powered intermittent ignition ensures reliable operation even during a power failure
- 🔥 Intermittent pilot ignition with battery backup to provide continued operation in the event of a power outage
- 🔥 Weather-resistant control panel with junction box can be installed in convenient remote locations
- 🔥 Adjustable flame and heat output provide more comfort
- 🔥 Large stainless steel fire grate complements the overall appearance and provides durability
- 🔥 Robust stainless steel curtain pull firescreens maintain their beauty over time



**FEATURED** VRE4342 White Herringbone brick and Campfire style log set.

## INTERIOR LINER OPTIONS

---

**(Required)**

Choose from White Stacked or White Herringbone brick to complement your decor.



White Stacked



White Herringbone

## EXTERIOR OPTIONS

---

**(Optional)**

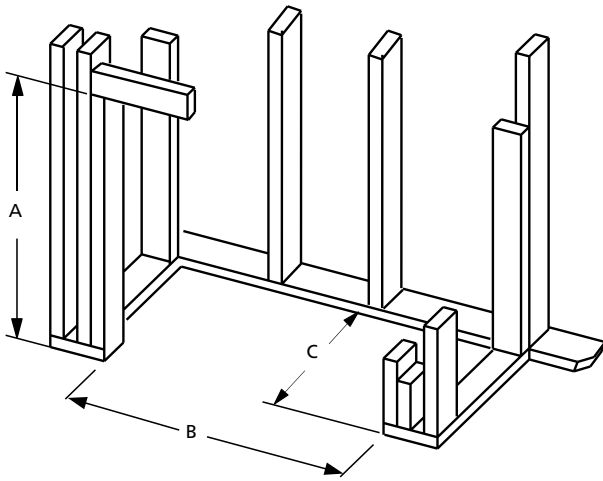


Stainless Steel Weather Cover



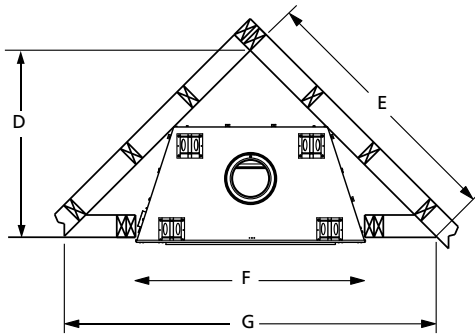
Bi-Fold Glass Doors and Hood

## FLAT WALL FRAMING SPECIFICATIONS



	36"	42"
A	46-1/2"	46-1/2"
B	42-3/4"	48-3/4"
C	20-1/2"	20-1/2"

## CORNER FRAMING SPECIFICATIONS



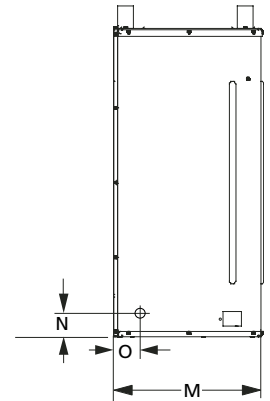
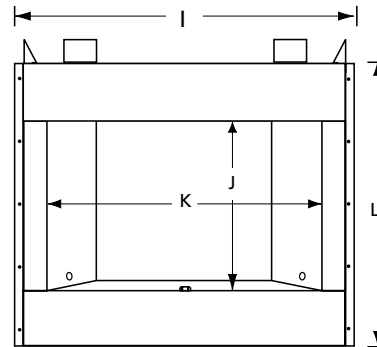
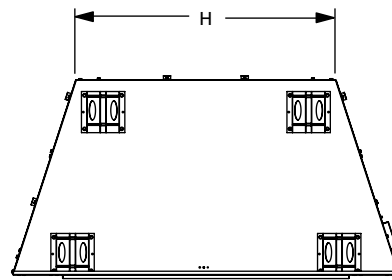
	36"	42"
D	31-3/4"	34-3/4"
E	44-3/16"	49-1/8"
F	42-3/4"	48-3/4"
G	63-1/2"	69-1/2"

### IMPORTANT NOTES:

As with any heating appliance, fireplace or stove, this appliance is extremely hot during operation. Read and understand all operating instructions before using this appliance. For further information, consult your dealer. Local conditions, such as elevation, wind, vent configuration and choice of fuel will affect overall appearance of the fire and heating performance. Performance can also vary with home design and insulation, climate, condition and type of fuel used, appliance location, burn rate, accessories chosen, chimney installation and how the appliance is operated.

Diagrams, illustrations and photographs are not to scale—consult installation instructions. Product designs, materials, dimensions, specifications, colors and prices are subject to change or discontinuance without notice.

## APPLIANCE SPECIFICATIONS



	36"	42"
H	23-1/2"	29-1/2"
I	41-4/3"	47-3/4"
J	28-1/2"	28-1/2"
K	28-1/2"	28-1/2"
L	37"	43"
M	20"	20"
N	1-3/4"	1-3/4"
O	4-3/8"	4-3/8"

## FIREPLACE EFFICIENCIES

MODEL	FUEL	BTU/HR
VRE4336	NG	50,000
VRE4336	LP	46,000
VRE4342	NG	50,000
VRE4342	LP	46,000



© 2014 Innovative Hearth Products

785475M 04/14

Visit us online



[www.SuperiorFireplaces.us.com](http://www.SuperiorFireplaces.us.com)

