



INNOVATIVE HEARTH PRODUCTS

P/N 900861-00 REV. B 09/2019

Ce manuel est disponible en français, simplement en faire la demande. Numéro de la pièce 900861-01.



Report No. MH# 60069



# Installation and Operation Instructions OUTDOOR DECORATIVE GAS FIREPLACE

This is a Single-Sided fireplace with the option of converting it into a See-Through fireplace

## Models

BarcelonaLights36ZEN VRE4636ZEN	BarcelonaLights48ZEN VRE4648ZEN	BarcelonaLights60ZEN VRE4660ZEN	BarcelonaLights72ZEN VRE4672ZEN
------------------------------------	------------------------------------	------------------------------------	------------------------------------

**INSTALLATION PRECAUTION:** This fireplace requires a minimum 18-square inches (per side) of cross ventilation. Failure to provide proper ventilation can void the warranty.

**INSTALLER:** Leave this manual with the appliance.  
**CONSUMER:** Retain this manual for future reference.

**Installateur :** Laissez cette notice avec l'appareil.  
**Consommateur :** Conservez cette notice pour consultation ultérieure.

## WHEN USED AS AN OUTDOOR APPLIANCE

### DANGER



### CARBON MONOXIDE WARNING

- This appliance can produce carbon monoxide which has no odor.
- Using it in an enclosed space can kill you.
- Never use this appliance in an enclosed space such as a camper, tent, car or home.

### WARNING: For Outdoor Use Only.

### DANGER IF YOU SMELL GAS:

1. Shut off gas to appliance.
2. Extinguish any open flame.
3. If odor continues, keep away from the appliance and immediately call your gas supplier or fire department.

**WARNING:** Do not store gasoline or other flammable vapors and liquids in the vicinity of this or any other appliance. An LP-cylinder not connected for use shall not be stored in the vicinity of this or any other appliance.

**WARNING:** Improper installation, adjustment, alteration, service or maintenance can cause injury or property damage. Read the installation, operating and maintenance instructions thoroughly before installing or servicing this equipment.

### WARNING:

#### FIRE OR EXPLOSION HAZARD

Failure to follow safety warnings exactly could result in serious injury, death, or property damage.

- Do not store or use gasoline or other flammable vapors and liquids in the vicinity of this or any other appliance.
- **WHAT TO DO IF YOU SMELL GAS**
  - Do not try to light any appliance.
  - Do not touch any electrical switch; do not use any phone in your building.
  - Leave the building immediately.
  - Immediately call your gas supplier from a neighbor's phone. Follow the gas supplier's instructions.
  - If you cannot reach your gas supplier, call the fire department.
- Installation and service must be performed by a qualified installer, service agency or the gas supplier.

### AVERTISSEMENT:

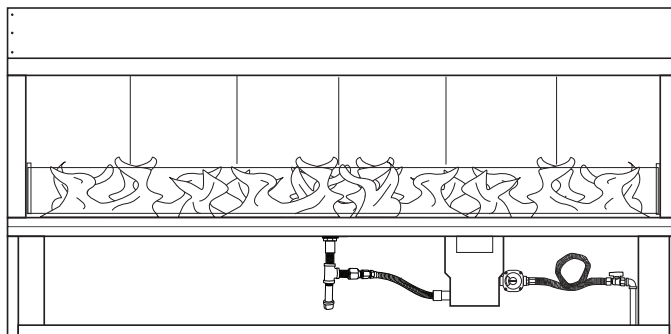
#### RISQUÉ D'INDENNIE OU D'EXPLOSION

Le non-respect Des avertissements de sécurité pourrait d'entraîner des blessures graves, la mort ou des dommages matériels.

- Ne pas entreposer ni utiliser d'essence ni d'autres vapeurs ou liquides inflammables dans le voisinage de cet appareil ou de tout autre appareil.
- **QUE FAIRE SI VOUS SENTEZ UNE ODEUR DE GAZ:**
  - Ne pas tenter d'allumer d'appareil.
  - Ne touchez à aucun interrupteur. Ne pas vous servir des téléphones se trouvant dans le bâtiment où vous trouvez.
  - Sortez immédiatement de bâtiment.
  - Appelez immédiatement votre fournisseur de gaz depuis un voisin. Suivez les instructions du fournisseur.
  - Si vous ne pouvez rejoindre le fournisseur de gaz, appelez le service des incendies.
- L'installation et l'entretien doivent être assurés par un installateur ou un service d'entretien qualifié ou par le fournisseur de gaz.

## TABLE OF CONTENTS

<b>Safety</b> .....	2-3
<b>Local Codes</b> .....	3
<b>Installation Precautions</b> .....	4-6
Gas Line and Cross Ventilation Requirements .....	5
Hard piping and High Elevation .....	6
<b>Fireplace Specifications</b> .....	7
<b>Single-Sided Fireplace Application</b> .....	8-10
Dimensions; Combustible Clearances; Mantel Clearances .....	9
Framing with Metal Studs .....	10
<b>See-Through Fireplace Application</b> .....	11-14
Converting Fireplace to a See-Through Model .....	12
Dimensions; Combustible Clearances; Mantel Clearances .....	13
Framing with Metal Studs .....	14
<b>LED Lighting Installation</b> .....	15-22
<b>Wiring Diagrams</b> .....	20-22
<b>Final Preparation</b> .....	23-27
Installing Pilot Covers in Burner Pan.....	23
Installation of Media in Burner Pan/Trough.....	24
Windshield Location and Pilot Operation .....	25
Installation of Hoods and Windshield.....	26
Flame Height .....	27
<b>Operation</b> .....	28
Lighting Instructions.....	28
Product Reference Information.....	28
<b>Fireplace Maintenance</b> .....	29
<b>Troubleshooting</b> .....	30-31
<b>Optional Accessories</b> .....	31
<b>Gas Conversion Instructions</b> .....	32-35
<b>Replacement Parts</b> .....	36-38
<b>Warranty</b> .....	39



**Outdoor Decorative Gas Fireplaces**  
**Models Barcelona Lights Series and VRE4600 Series**



We recommend that our gas hearth products be installed and serviced by professionals who are certified in the U.S. by the National Fireplace Institute® (NFI) as NFI Gas Specialists.

## SAFETY

**IT IS IMPORTANT TO READ THROUGH THE ENTIRE INSTALLATION MANUAL BEFORE BEGINNING INSTALLATION OF THIS FIREPLACE!!**

**This fireplace ships from the factory as a single-sided fireplace with the option of removing the back panels to convert it into a see-through fireplace. Your specific application, single-sided or see-through will determine how you install and frame this fireplace. Carefully read through this manual to understand.**

**DESCRIPTION:** These Outdoor fireplace models come ready to operate with HI/LO capabilities once installation is complete. They use an electronic ignition that runs off a 7.5VDC adaptor. In addition, each fireplace is equipped with LED lighting as a standard feature. Each model can operate the LED lights with or without the fireplace operating. The LED lights run off of a 12-volt DCV adaptor.

These are radiant fireplaces only and do not have a fan option. **Do not burn real wood or other combustible materials in these fireplaces.** Use only approved media. All models are shipped as

Natural Gas but can be converted to Propane Gas by ordering the optional conversion kit (*see Page 31*). There is no top or rear venting required for this fireplace, however, it is mandatory to provide adequate clearances according to this manual and cross ventilation in the enclosure. The burner assembly is removable for service. NEVER obstruct the front opening(s) of the fireplace.

### **ALWAYS USE CAUTION WHEN USING THE FIREPLACE**

Extra caution should be taken when lighting a fireplace when heavy rains, high humidity and moisture are present. Light the fireplace and leave the area while the heat dissipates any moisture out of the media. We strongly recommend that during this drying out time that you monitor the fireplace from a distance. This drying out period should be no less than 30 minutes. Continue monitoring the flame from a safe distance to ensure that all popping has ceased before fully enjoying the fire.

- 1. This appliance is configured from the factory only as Natural gas. This appliance can be converted to LP gas.**
- 2. Do not place Propane (LP) supply tanks inside any structure. Locate propane tanks outdoors.**

## SAFETY

Continued

3. This fireplace is **to be used only outdoors** in a well ventilated space and shall not be used in a building, garage, or any other enclosed area.
4. Do not use this fireplace as a wood burning fireplace. Use only high temperature media approved for use with this fireplace.
5. Do not use this fireplace to cook or burn paper or other objects.
6. Do not use if exposed to or under water. Immediately call a qualified service technician to inspect the fireplace and replace any part of the control system and any gas control which has been under water.
7. Turn fireplace OFF and let cool before servicing. Only a qualified service person should perform service.
8. To prevent performance problems in Propane (LP) fireplaces, do not use a Propane tank less than 100lbs. capacity.

### WARNING

- Do not leave unattended during use.
- Do not use for cooking.
- Follow all gas leak procedures in this manual prior to operation.

### WARNING

PROPANE TANKS ARE AT PRESSURES THAT WILL CAUSE DAMAGE TO VALVE COMPONENTS. VERIFY THAT THE TANKS HAVE STEP DOWN REGULATORS TO REDUCE THE PRESSURE TO SAFE LEVELS.

### WARNING

This product can expose you to chemicals including Carbon Monoxide, which is known to the State of California to cause birth defects or other reproductive harm. (For more information, go to [www.p65warnings.ca.gov](http://www.p65warnings.ca.gov))

## LOCAL CODES

Install and use fireplace with care. Follow all local codes. In the absence of local codes, use the National Fuel Gas Code, ANSI Z223.1/ NFPA 54 (USA) - latest edition.

Available from:

American National Standards Institute, Inc.  
25 West 43rd Street, 4th floor  
New York, NY 10036

National Fire Protection Association, Inc.  
1 Batterymarch Park  
Quincy, MA 02169-7471

### **CODES AND STANDARDS**

These fireplaces comply with National Safety Standards and are tested and listed by Underwriters Laboratories (Report No. MH#60069) to ANSI Z21.97, CSA 2.41 in both USA and Canada, as outdoor decorative gas appliances. The installation must conform to local codes or, in the absence of local codes, with the National Fuel Gas Code, ANSI Z223.1/ NFPA 54 (USA) - latest edition or CAN/CGA-B149.1 Natural gas and propane installation code (Canada) - latest edition.

### **AN OUTDOOR SPACE IS DEFINED AS FOLLOWS PER ANSI Z21.97:**

**Outdoor spaces** - An appliance is considered to be outdoors if installed with shelter no more inclusive than:

- (a) With walls on all sides, but with no over-head cover;

- (b) Within a partial enclosure which includes an overhead cover and no more than two side walls. These side walls may be parallel, as in a breezeway, or at right angles to each other; or
- (c) Within a partial enclosure which includes an overhead cover and three sidewalls, as long as 30% or more of the horizontal periphery of the enclosure is permanently open.

### **Massachusetts Requirements**

These appliances are approved for installation in the US state of Massachusetts if the following additional requirements are met:

- Un-vented Room Heaters shall be installed in accordance with 527 CMR 30.
- Installation and repair must be done by a plumber or gas fitter licensed in the Commonwealth of Massachusetts.
- The flexible gas line connector used shall not exceed 36 inches (92 centimeters) in length.
- The individual manual shut-off must be a T-handle type valve.
- Unvented appliances may NOT be installed in bedrooms or bathrooms.
- A working smoke detector must be installed in the area where vent-free appliances are installed.

Seller of unvented propane or natural gas-fired supplemental room heaters shall provide to each purchaser a copy of 527 CMR 30 upon sale of the unit.

## INSTALLATION PRECAUTIONS

### **INSTALLATION PRECAUTION:**

This fireplace requires a minimum 18-square inches (per side) of cross ventilation. Failure to provide proper ventilation can void the warranty.

- 1. These fireplaces are designed for outdoor use only. Not approved for any indoor use.**
- We recommend using 3/4" black iron pipe; however please refer to the National Fuel Gas Code, ANSI Z223.1/ NFPA 54 (USA) - latest edition or CAN/CGA-B149.1 Natural Gas And Propane Installation Code (Canada) - latest edition for proper pipe sizing when exceeding 20-feet in length for fireplaces .
- Determine which fireplace you are preparing to install, single-sided or see-through (*refer to Page 8 or 11*).
- This fireplace is not a "load bearing" fireplace. All finishing materials must be supported by the surrounding structure and not rely on the fireplace itself.**
- Follow the local code requirements for the gas type being used. This fireplace should be installed in accordance with local codes and ordinances or in the absence of local codes, with the National Fuel Gas Code, ANSI Z223.1/ NFPA 54 (USA) - latest edition or CAN/CGA-B149.1 Natural Gas And Propane Installation Code (Canada) - latest edition.
- Fireplaces create high temperatures, it is very important to have any combustibles at a safe distance.
- Fireplace should never be left unattended while in operation. It should always be a safe distance from all trees and combustible landscape materials.
- The fireplace must be installed on a flat, level, stable, non-combustible surface. **Exception:** It is permissible to place one layer of 1/2" cement board underneath the entire fireplace, then it may sit on a flat, level, stable, combustible surface. Drainage is critical to ensure that water does not damage gas valve and components. ***Never install the fireplace system below grade.***
- CAUTION:** A minimum of 18 square inches of cross ventilation (per side) is required to keep the inside of the enclosure dry. Install the supplied VENT-KIT-6x12 (cat. no. F3535) approximately 3 to 4 inches from the floor centered on each end of the fireplace (*See Figure 3, Page 5*).
- Never fill the cavity under and around the valve box with any material, this is air space necessary for ventilation.
- Only non-combustible materials (i.e. metal studs and cement board) should come in direct contact with any part of the fireplace. Underneath area should be non-combustible or a flat level combustible surface according to the clearances specified in this manual. Bend out nailing flanges on ends of fireplace and secure to metal studs.
- This fireplace is designed to have glass media covering the burner trough, so the burner tube is not visible. Use only the media provided with the appliance or listed in the accessory section of this manual (Page 31). **DO NOT COVER THE IGNITION HOOD WITH THE GLASS MEDIA.** See *Figures 33 and 34* on *Pages 24 and 25* for details.
- Gas lines and fittings must be installed in to the non-combustible structure. All gas connections must be leak tested before installation of the fireplace. Leak detection is required before regular use of the fireplace.
- Do not use alternative media that will absorb moisture over time and will not release this moisture quickly. Moisture can boil in this media and can rapidly break apart and cause property damage or personal injury.
- Never leave any other combustible material on top of the fireplace. This could cause unsafe operation of this system and damage to the component that will not be covered under our warranty.
- It is recommended to wear gloves when moving the fireplace into position and watch for sharp edges when handling the fireplace.



### **WARNING**

**These appliances are not designed or intended to be used for cooking. Do not barbecue, heat food, or roast marshmallows in this appliance. Doing so could damage the appliance and cause injury.**



### **WARNING**

**These fireplaces are gas fireplaces. Do not burn wood or other material in these appliances.**

## INSTALLATION PRECAUTIONS

*Continued*

**CAUTION:** BEFORE BEGINNING INSTALLATION CAREFULLY REMOVE THE GLASS WINDSHIELDS, PARTS BOX AND ANY PACKING MATERIALS FROM FIREPLACE AND SET ASIDE FOR LATER USE.

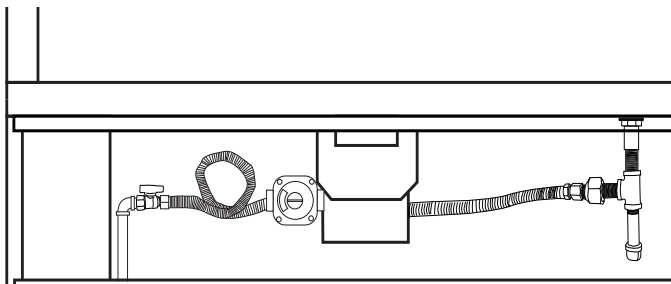
**FRAMING:** After framing is complete, slide the fireplace into position and secure it with the side nailing flanges. Next install cement board, securing it to the metal studs and fireplace. The framing provides for a flush fit up to the opening of the fireplace. **DO NOT PROTRUDE INTO THE FIREPLACE OPENING WITH CEMENT BOARD.**

**GAS LINE:** The gas line must have a predetermined location to enable it to be installed. **Figure 1** shows one example of an inlet gas line with a gas shut off at the fireplace. This allows a technician to shut the inlet gas supply OFF and remove the burner for servicing. **It is imperative that the flex line from the gas shutoff be long enough to lift out burner pan for service.** Ensure you follow the local and state gas codes per your installation.

**LED LIGHTING:** LED lighting must be installed before finish materials are completed on this fireplace. Ensure electricity is run before fireplace is installed. See **Pages 15 - 22**. Ensure you follow local and state codes per your installation.

**RECOMMENDATION:** Once the gas line is established it is recommended to remove the burner pan from the firebox until the fireplace is in the final stages and ready for the burner installation. See Burner Pan Removal in **Figure 2**.

**GAS CONVERSION:** If you are converting the fireplace to LP gas convert it while the burner pan is out of the fireplace. See **Pages 31-33** for conversion instructions.



**Figure 1 - Close up view of inlet gas connection with shutoff valve**

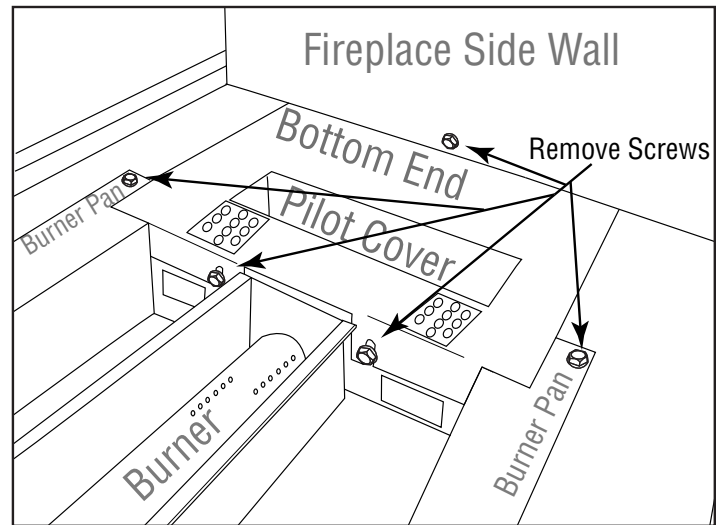
**IMPORTANT:** It is permissible to reverse the burner pan in the field to enable a closer gas line connection if necessary.

### **BURNER PAN REMOVAL**

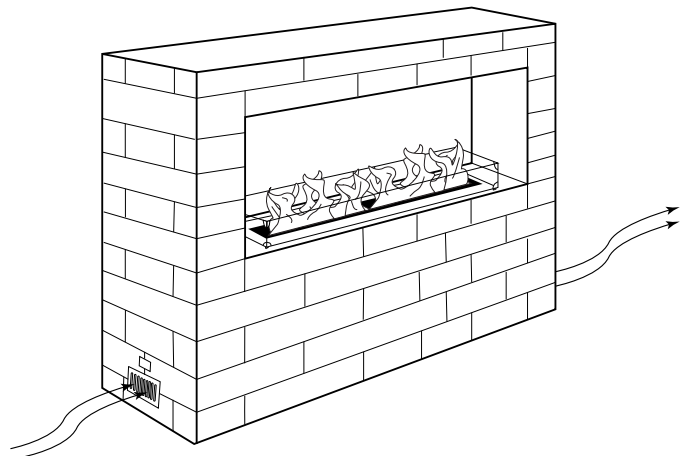
The burner pan is secured in the fireplace with five (5) screws on each end. Two (2) screws are located on the outer edge of the burner pan and three (3) screws are located securing the bottom end (see **Figure 2**). Remove all five (5) screws on each end to lift the burner pan up. Use **Figure 22 on Page 17** as a reference to remove the bottom end.

### **VENTILATION FOR NON-COMBUSTIBLE ENCLOSURE**

Fireplaces are subjected to many outdoor elements such as rain, snow, wind, heat or cold. **A minimum of 18 square inches of cross ventilation (2 sides) is required to keep the components in good working order.** Use **Figure 3** as a guide.



**Figure 2 - Removal of burner pan screws.**



**Figure 3 - Cross ventilation example providing minimum of 18-square inches per side using the Cross Ventilation Kit, VENT-KIT-6x12 (Cat. No. F3535), provided.**



# INSTALLATION PRECAUTIONS

Continued

**WARNING:** Proper clearances from combustible, construction materials must be maintained from all sides, top and bottom of this appliance. See specifications listed on **Pages 8-10** for a single-sided fireplace and **Pages 11-14** for a see-through fireplace.

The fireplace must be installed on a flat, level, stable, non-combustible surface. If one layer of 1/2" cement board is installed underneath the entire fireplace, it may sit on a flat, level, stable, combustible surface. Install fireplace according to the clearances specified in this manual. **NOTE:** Do not place fireplace directly on grass, dirt, or rocks as this may prevent proper ventilation. **Ensure proper water drainage is also incorporated under the fireplace enclosure.**

## IMPORTANT

Installation of Natural or Liquid Propane Gas should be done by a qualified installer, service agency or gas supplier.

The appliance and its appliance main gas valve must be disconnected from the gas supply piping system during any pressure testing of that system at test pressures **in excess of** 1/2 psi (3.5 kPa).

The appliance must be isolated from the gas supply piping system by closing its equipment shutoff valve during any pressure testing of the gas supply piping system at test pressures **equal to or less than** 1/2 psi (3.5 kPa).

## HARD PIPING TO FIREPLACE WITHOUT GAS PROXIMITY

**NOTE:** We recommend using 3/4" black iron pipe; however please refer to the National Fuel Gas Code, ANSI Z223.1/ NFPA 54 (USA) - latest edition or CAN/CGA-B149.1 Natural Gas And Propane Installation Code (Canada) - latest edition for proper pipe sizing when exceeding 20-feet in length for fireplaces rated above 100,000 BTU.

1. Turn **OFF** gas supply system. **NOTE:** All gas connections (except for brass to brass) require the following: Clean pipe threads using either a wire brush or steel wool. Apply pipe sealant to the fittings before making any connection. **BE CAREFUL!** Ensure all gas connections are snug, but do not over tighten!
2. Extend the gas supply using minimum of 3/4" black iron pipe or an approved flexible gas line from existing house supply. This can be accomplished by teeing off or tapping into a gas line connection. Install necessary pipe for the distance required and then install a manual shutoff valve at the exterior house wall. If pipe is to pass through a foundation or house wall, make sure to re-seal the area around the pipe with weather sealant.
3. The primary gas shutoff (supplied) will require a 1/2" male flared fitting to enable connection of the stainless steel flex gas line supplied with the fireplace (See **Figure 1, Page 5**).

## HIGH ELEVATION INSTALLATION

This appliance is listed for elevations from 0 to 4500 feet (0-1372 meters) in Canada and the U.S. If elevation exceeds 4500 feet it may be necessary to decrease the input rating by changing the existing burner orifice to a smaller size. Input should be reduced 4% for each 1000 feet beyond the 4500 feet above sea level. Check with your local gas utility for assistance in determining the proper orifice in your location. In some cases the heating value may already be reduced and downsizing the orifice may not be necessary.

**Deration** - At higher elevations, the amount of BTU fuel value delivered must be reduced by either:

- Using gas that has been derated by the gas company.
- By changing the burner orifice to a smaller size as regulated by the local authorities having jurisdiction and by the (USA) National Fuel Gas Code NFPA 54/ANSI Z223.1—latest edition or, in Canada, the CAN/CSA-B149.1 codes—latest edition.

Install the appliance according to the regulations of the local authorities having jurisdiction and, in the USA, the National Fuel Gas Code NFPA 54 / ANSI Z223.1—latest edition or, in Canada, the CAN/CGA-B149.1—latest edition.

**PAY CLOSE ATTENTION TO THE FOLLOWING PAGES. THIS FIREPLACE IS SHIPPED AS A SINGLE-SIDED FIREPLACE, HOWEVER YOU HAVE THE OPTION TO CONVERT IT INTO A SEE-THROUGH FIREPLACE. READ THE HEADERS CAREFULLY TO ENSURE YOU ARE FOLLOWING THE CORRECT INSTALLATION.**

**UNLESS SPECIFIED, ALL OTHER PAGES ARE COMMON FOR THESE FIREPLACES. REVIEW THE INSTALLATION PRECAUTIONS BEFORE INSTALLING ANY OF THESE MODELS. IF YOU HAVE ANY QUESTIONS PLEASE CONTACT YOUR DEALER OR GO TO IHP.US.COM FOR REFERRAL INFORMATION.**

The bottom support fin seen in several figure drawings on **Pages 9 to 14** has pre-punched holes on inside edge to secure the fireplace into position before attaching cement board.

## SPECIFICATIONS

**NOTE:** These fireplaces come shipped as Natural Gas models only. There is a conversion kit available as an accessory. Ensure you order the specific conversion kit for your model fireplace. **Table 1** shows the applicable information if converting to Liquid Propane (LP) gas.

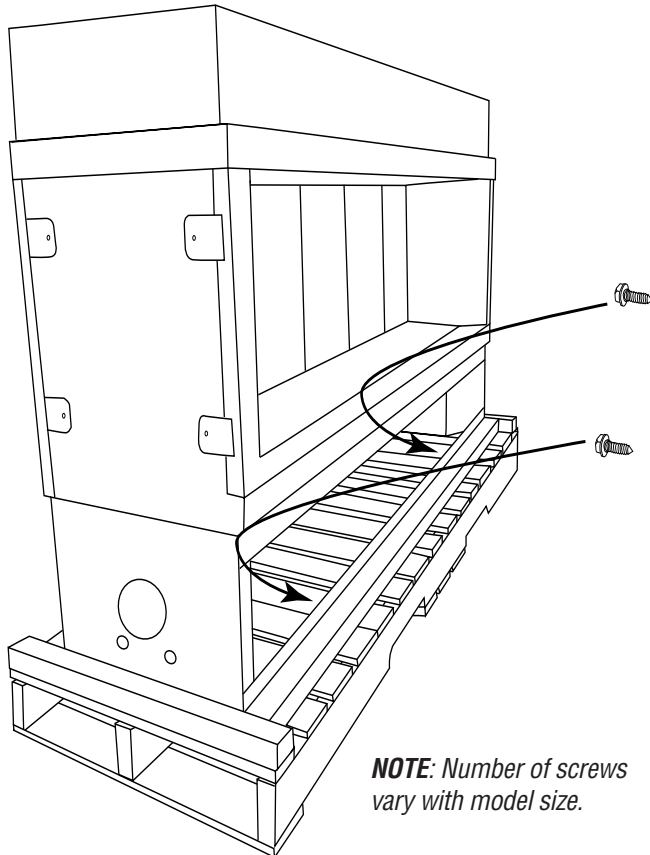
**IMPORTANT:** It is permissible to reverse the burner pan in the field to enable a closer gas line connection if necessary.

Model:	NG Factory Orifice	NG BTU's High	NG BTU's Low	NG Low Rate Screw	LP Factory Orifice	LP BTU's High	LP BTU's Low	LP Low Rate Screw
BarcelonaLights36ZEN and VRE4636ZEN	#41	31,000 (9.08 kWh)	18,500 (5.42 kWh)	#44	#52	30,000 (8.79 kWh)	19,500 (5.72 kWh)	#52
BarcelonaLights48ZEN and VRE4648ZEN	#32	43,500 (12.75 kWh)	24,500 (7.18 kWh)	#34	#48	42,500 (12.46 kWh)	29,000 (8.50 kWh)	#46
BarcelonaLights60ZEN and VRE4660ZEN	#30	50,000 (14.65 kWh)	36,000 (10.55 kWh)	#27	#44	50,000 (14.65 kWh)	36,000 (10.55 kWh)	#42
BarcelonaLights72ZEN and VRE4672ZEN	#25	65,000 (19.05 kWh)	42,000 (12.31 kWh)	#18	#42	60,000 (17.58 kWh)	45,000 (13.19 kWh)	#35

**Table 1 - Fireplace Input Specifications**

**Disclaimer:** BTU listings are based on 7.0" WC for Natural Gas at the inlet side of gas valve. Flex line size and proper gas pipe sizing will also affect BTU's. As a result your BTU's may vary slightly from **Table 1** specifications.

The fireplace ships on a wooden skid. Remove the screws as shown in **Figure 4** and lift fireplace off of skid.



**NOTE:** Number of screws vary with model size.

**Figure 4 - Remove Fireplace from Skid**

Inlet Gas Pressure		
	Natural Gas (NG)	Propane (LP)
Minimum Inlet	5.0" WC (1.24 kPa)	10.5" WC (2.61 kPa)
Maximum Inlet	10.5" WC (2.61 kPa)	13.0" WC (3.23 kPa)
Normal Inlet	7.0" WC (1.74 kPa)	11.0" WC (2.74 kPa)
Manifold Gas Pressure		
	Natural Gas (NG)	Propane (LP)
Normal Manifold	4" WC (1.00 kPa)	10.0" WC (2.49 kPa)

**Table 2 - Gas Pressures**

## SINGLE-SIDED FIREPLACE DIMENSIONS AND CLEARANCES

**NOTE: Preparation for the LED lighting and the inlet gas line must be planned before the fireplace is installed. See Page 5, Figure 1 for inlet gasline and Page 15 for LED lighting.**

# SINGLE-SIDED FIREPLACE DIMENSIONS, FRAMING AND CLEARANCES SECTION

This fireplace comes with *various boxes* prepackaged inside the fireplace. Do not discard any boxes unless notes to do so. Read the list below for the contents.

### **Component Parts Box Contents:**

- (1) RGB Control Assembly (includes switches and LED dimmer)
- (1) 12VCD Adaptor (used for LED lighting)
- (1) 7.5VCD Adaptor (used for valve system)
- (2) Pilot Covers (used inside burner pan area)
- (2) 6x12 Black Vents (used to ventilate enclosure)
- (12) Black Screws, Nuts & Washers for 6x12 vents
- (1) Installation manual for vent kit
- (1) 24-inch LED wire harness
- (1) 10-foot valve system (module) wire harness
- (1) LED 10-foot controller wire harness

### **Windshield Parts Box Contents:**

- (2) Glass Windshields (inside firebox)
- (4) LED Retainer Clips (2 for singled-sided; 4 for see-through fireplace)
- (8) Glass Windshield Clips (4 for singled-sided; 8 for see-through fireplace)
- (2) Stainless Steel Hoods (1 for singled-sided; 2 for see-through fireplace)

### **LED Assemblies Box Contents:**

- (1) LED Tray Assembly Left
- (1) LED Tray Assembly Right
- (4) LED Glass Retainer Clips & Pan Head Screws
- (8) Windshield Clips & Pan Head Screws

### **Glass Media Box Contents:**

- (3-5) bags of diamond crystal media depending on model size (See **Table 7** and **Figure 33** on **Page 24** for reference)

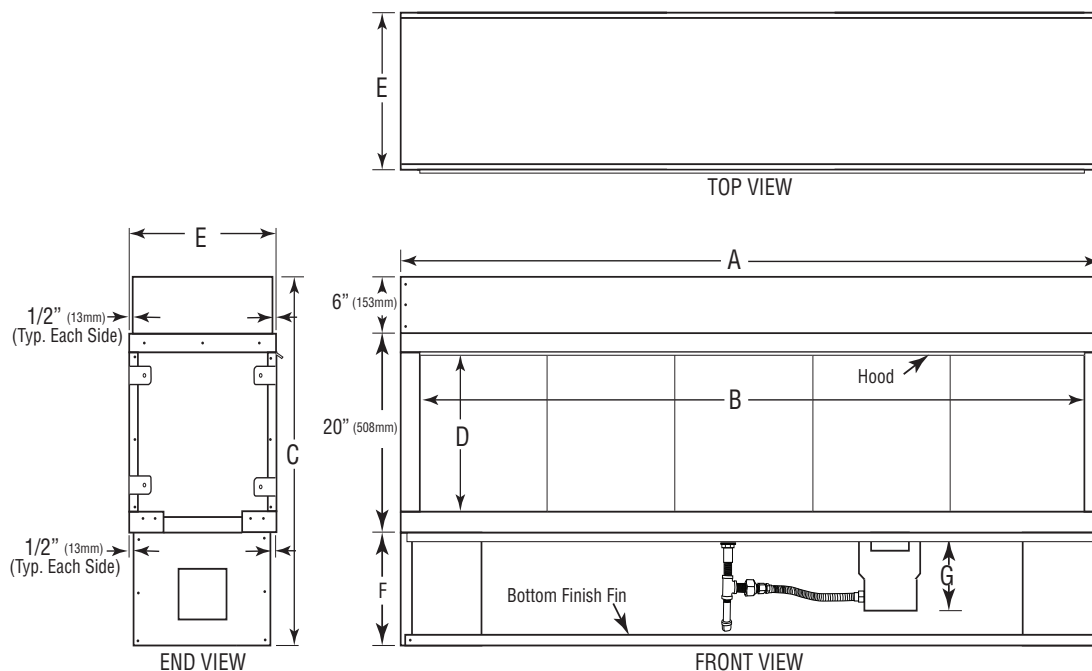


# SINGLE-SIDED FIREPLACE DIMENSIONS AND MINIMUM CLEARANCES TO COMBUSTIBLES

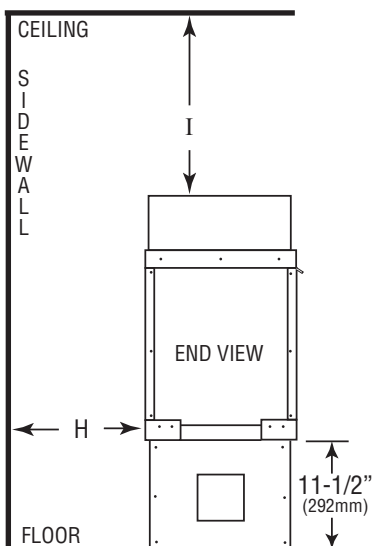
Continued

Model: Natural Gas (NG)	A Overall Length	B Inside Opening	C Overall Height	D Opening Height	E Overall Depth	F Leg Height	G Valve Box Depth	H Clearance To Combustible Side Wall	I Clearance To Combustible Ceiling
BarcelonaLights36ZEN and VRE4636ZEN	40" (1016mm)	36" (915mm)	37-1/2" (953mm)	16" (407mm)	16-1/4" (413mm)	11-1/2" (292mm)	8-3/4" (222mm)	6" (153mm)	42-1/2" (1080mm)
BarcelonaLights48ZEN and VRE4648ZEN	52" (1321mm)	48" (1219mm)	37-1/2" (953mm)	16" (407mm)	16-1/4" (413mm)	11-1/2" (292mm)	8-3/4" (222mm)	6" (153mm)	42-1/2" (1080mm)
BarcelonaLights60ZEN and VRE4660ZEN	64" (1626mm)	60" (1524mm)	37-1/2" (953mm)	16" (407mm)	16-1/4" (413mm)	11-1/2" (292mm)	8-3/4" (222mm)	6" (153mm)	42-1/2" (1080mm)
BarcelonaLights72ZEN and VRE4672ZEN	76" (1931mm)	72" (1829mm)	37-1/2" (953mm)	16" (407mm)	16-1/4" (413mm)	11-1/2" (292mm)	8-3/4" (222mm)	6" (153mm)	42-1/2" (1080mm)

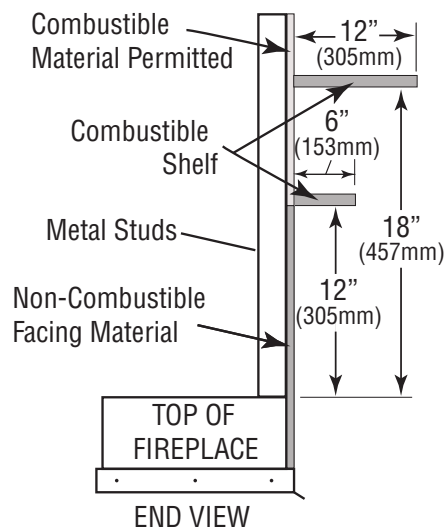
**Table 3 - Fireplace dimensions and clearances. Ensure you follow the proper clearances during installation.**



**Figure 5 - Fireplace dimensions; refer to Table 3.**



**Figure 6 - Single-sided fireplace clearance to combustibles (See Table 3)**



**Figure 7 - Open front fireplace mantel clearances**

## SINGLE-SIDED FRAMING DIMENSIONS WITH METAL STUDS

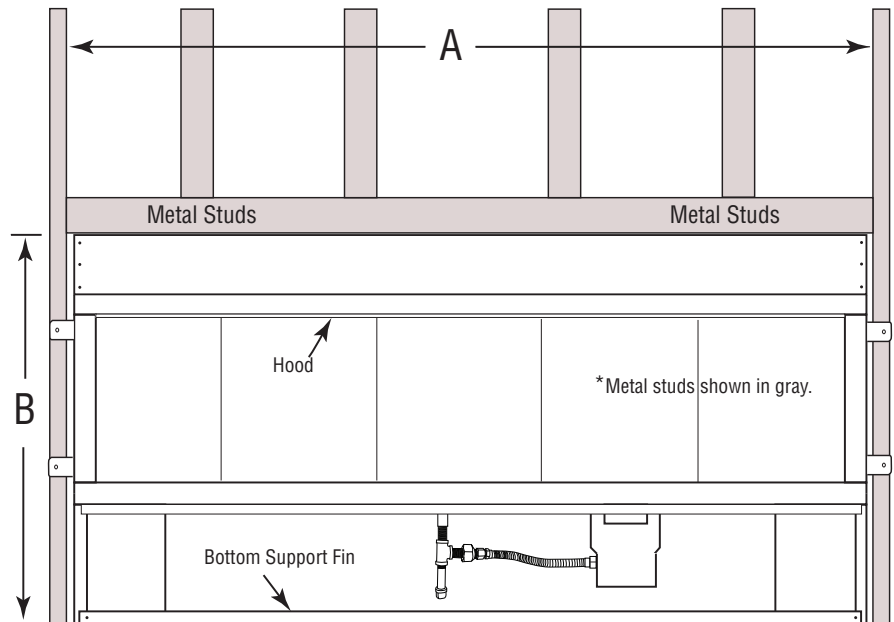
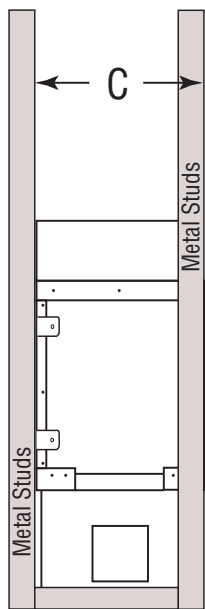
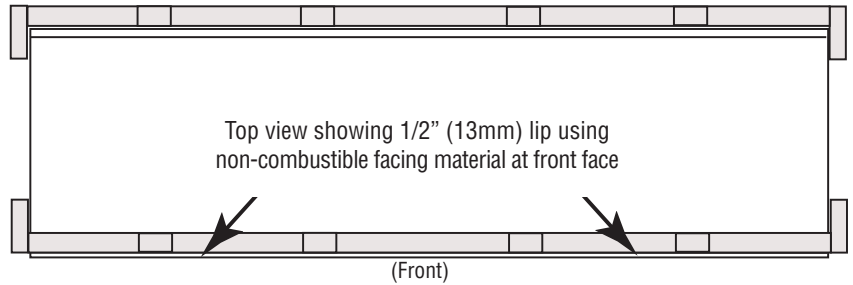
Model: Natural Gas (NG)	A Width	B Height	C Depth
BarcelonaLights36ZEN or VRE4636ZEN	40-1/2" (1029mm)	37-3/4" (959mm)	16-1/4" (413mm)
BarcelonaLights48ZEN or VRE4648ZEN	52-1/2" (1334mm)	37-3/4" (959mm)	16-1/4" (413mm)
BarcelonaLights60ZEN or VRE4660ZEN	64-1/2" (1638mm)	37-3/4" (959mm)	16-1/4" (413mm)
BarcelonaLights72ZEN or VRE4672ZEN	76-1/2" (1943mm)	37-3/4" (959mm)	16-1/4" (413mm)

**Table 4 - Fireplace framing dimensions.**

**NOTE:** This fireplace requires metal studs for framing. Wood studs are not permitted.



**NOTE:** This outdoor fireplace is not a "load bearing" fireplace. All finishing materials must be supported by the surrounding structure and not rely on the fireplace itself.



**Figure 8 - Framing dimensions using all non-combustible materials for single-sided fireplace; refer to Table 4.**

## SEE-THROUGH FIREPLACE DIMENSIONS AND CLEARANCES

**NOTE: Preparation for the LED lighting and the inlet gas line must be planned before the fireplace is installed. See Page 5, Figure 1 for inlet gasline and Page 15 for LED lighting.**

# SEE-THROUGH FIREPLACE DIMENSIONS AND CLEARANCES SECTION

This fireplace comes with *various boxes* prepackaged inside the fireplace. Do not discard any boxes unless notes to do so. Read the list below for the contents.

### **Component Parts Box Contents:**

- (1) RGB Control Assembly (includes switches and LED dimmer)
- (1) 12VCD Adaptor (used for LED lighting)
- (1) 7.5VCD Adaptor (used for valve system)
- (2) Pilot Covers (used inside burner pan area)
- (2) 6x12 Black Vents (used to ventilate enclosure)
- (12) Black Screws, Nuts & Washers for 6x12 vents
- (1) Installation manual for vent kit
- (1) 24-inch LED wire harness
- (1) 10-foot valve system (module) wire harness
- (1) LED 10-foot controller wire harness

### **Windshield Parts Box Contents:**

- (2) Glass Windshields (inside firebox)
- (4) LED Retainer Clips (2 for singled-sided; 4 for see-through fireplace)
- (8) Glass Windshield Clips (4 for singled-sided; 8 for see-through fireplace)
- (2) Stainless Steel Hoods (1 for singled-sided; 2 for see-through fireplace)

### **LED Assemblies Box Contents:**

- (1) LED Tray Assembly Left
- (1) LED Tray Assembly Right
- (4) LED Glass Retainer Clips & Pan Head Screws
- (8) Windshield Clips & Pan Head Screws

### **Glass Media Box Contents:**

- (3-5) bags of diamond crystal media depending on model size (See **Table 7 and Figure 33** on **Page 24** for reference)

# SEE-THROUGH FIREPLACE DIMENSIONS AND CLEARANCES

Continued

If you have determined to install the fireplace as a see-through model then you will need to remove the rear back panel to convert it. Before removing the rear back panel be sure to remove the contents out of the firebox area. **NOTE:** The fireplace is shipped with glass windshields and parts prepackaged inside the firebox area that can interfere with removal of the rear panel.

**CAUTION: WATCH FOR SHARP EDGES.**

**CAUTION**

**SHARP EDGES - WATCH YOUR FINGERS**

Wear gloves to guard against any sharp metal edges.



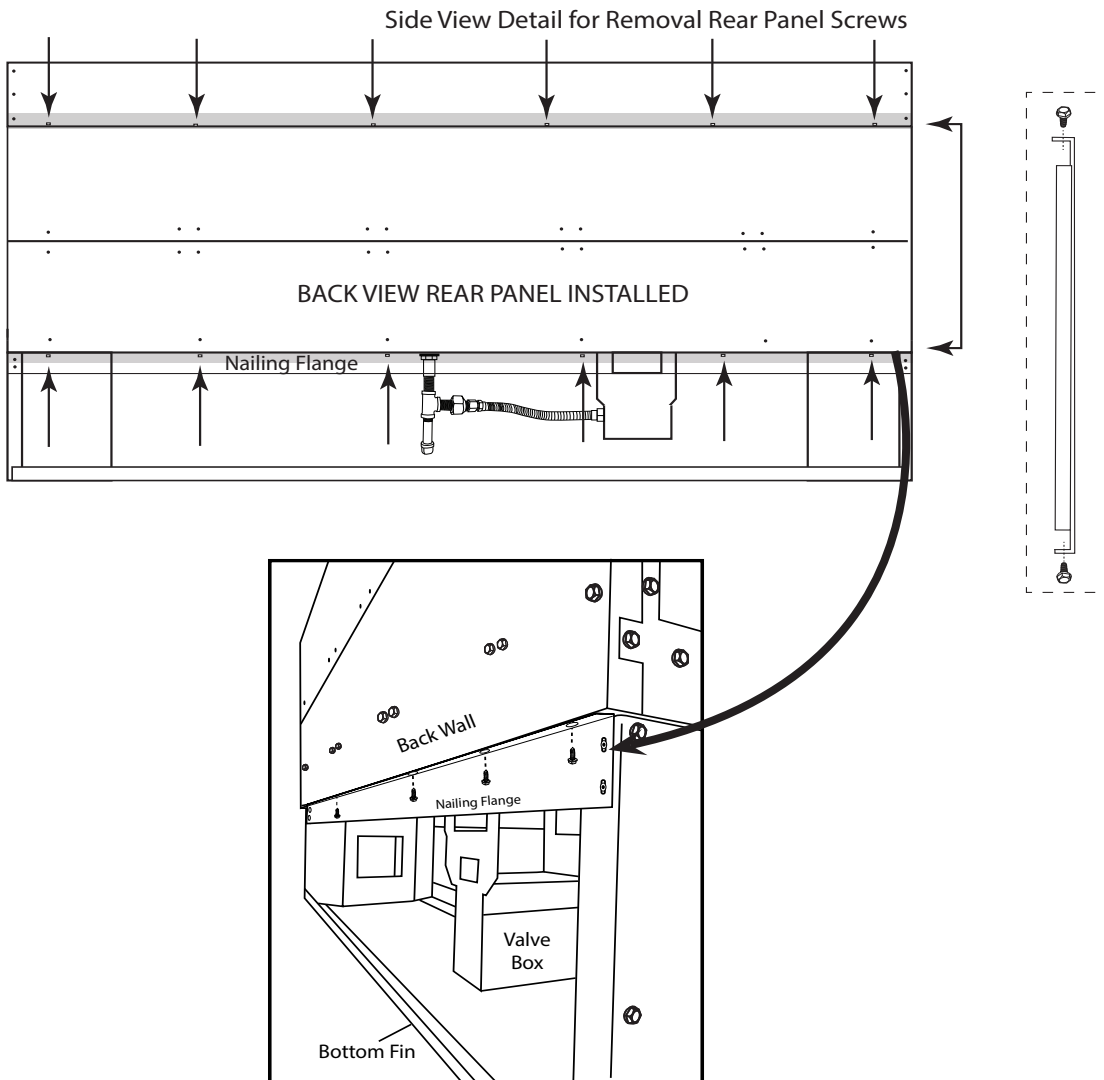
**Use the following steps:**

**NOTE:** The numbers of screws to remove will vary with each fireplace model.

**Step 1.** Look at the back side of the fireplace. Around the outer perimeter area of the frame or back wall are several screws to remove (See the shaded area in **Figure 9**). Only remove the top and bottom screws on the rear panel. The nailing flange will remain in place. The back panel will remove as one panel. **NOTE:** The number of screws removed will vary with each fireplace model.

**Step 2.** The back panel will not be used again in the see-through application. Discard back panel and screws.

**NOTE:** When converting to the see-through fireplace the glass windshield clips will need to be installed. See **Figures 18 and 19 on Page 16**. The clips will be packaged with the glass windshields. The see-through fireplace requires windshields on both sides for proper operation.



**Figure 9 - Removing back wall to convert to see-through model.**

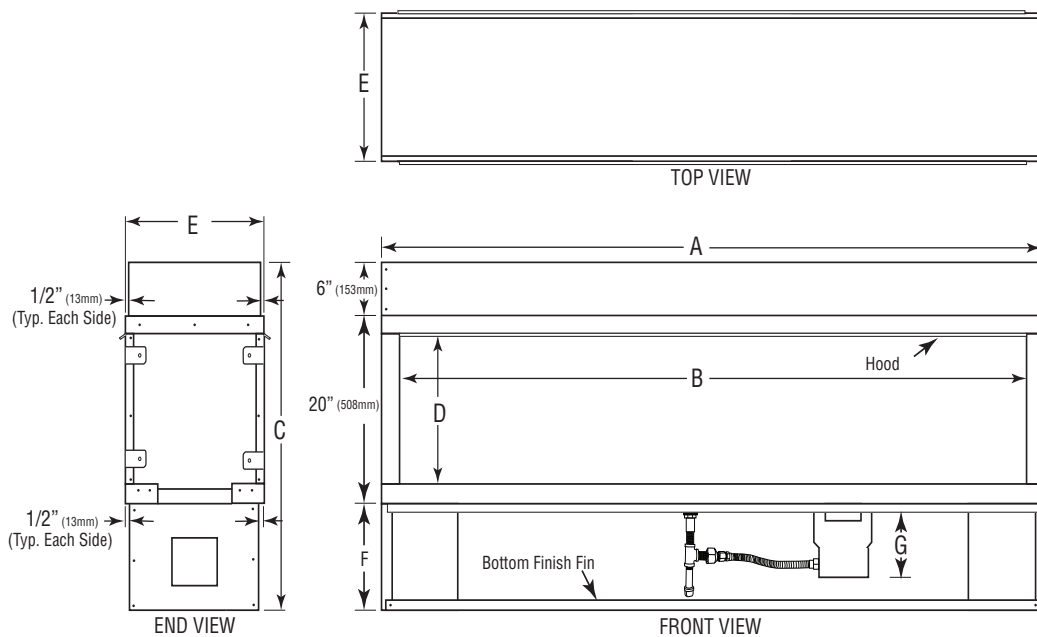
# SEE-THROUGH FIREPLACE DIMENSIONS AND MINIMUM CLEARANCES TO COMBUSTIBLES

*Continued*

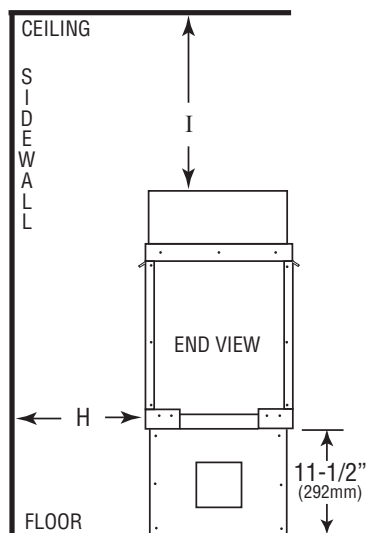
This fireplace ships from the factory as a single sided fireplace, but by removing the back panels you can convert it into a see-through fireplace. Your specific application, single sided verses see-through, will determine your installation. Ensure you follow the proper clearances during installation.

Model: Natural Gas (NG)	A Overall Length	B Inside Opening	C Overall Height	D Opening Height	E Overall Depth	F Leg Height	G Valve Box Depth	H Clearance To Combustible Side Wall	I Clearance To Combustible Ceiling
BarcelonaLights36ZEN or VRE4636ZEN	40" (1016mm)	36" (915mm)	37-1/2" (953mm)	16" (407mm)	16" (407mm)	11-1/2" (292mm)	8-3/4" (222mm)	36" (915mm)	42-1/2" (1080mm)
BarcelonaLights48ZEN or VRE4648ZEN	52" (1321mm)	48" (1219mm)	37-1/2" (953mm)	16" (407mm)	16" (407mm)	11-1/2" (292mm)	8-3/4" (222mm)	36" (915mm)	42-1/2" (1080mm)
BarcelonaLights60ZEN or VRE4660ZEN	64" (1626mm)	60" (1524mm)	37-1/2" (953mm)	16" (407mm)	16" (407mm)	11-1/2" (292mm)	8-3/4" (222mm)	36" (915mm)	42-1/2" (1080mm)
BarcelonaLights72ZEN or VRE4672ZEN	76" (1931mm)	72" (1829mm)	37-1/2" (953mm)	16" (407mm)	16" (407mm)	11-1/2" (292mm)	8-3/4" (222mm)	36" (915mm)	42-1/2" (1080mm)

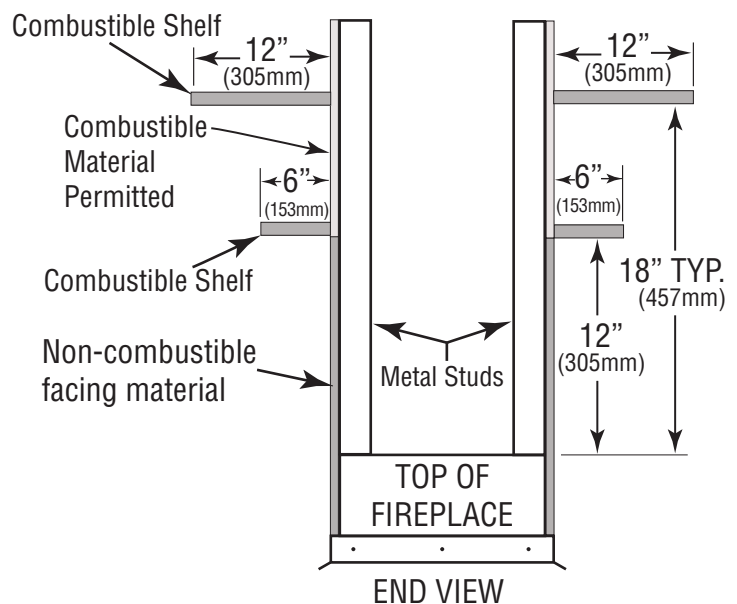
**Table 5 - Fireplace dimensions and clearances.**



**Figure 10 - Fireplace dimensions; refer to Table 5**



**Figure 11 - See-through fireplace clearance to combustibles (See Table 5)**



**Figure 12 - See-through fireplace mantel clearances**



## SEE-THROUGH FRAMING DIMENSIONS WITH METAL STUDS

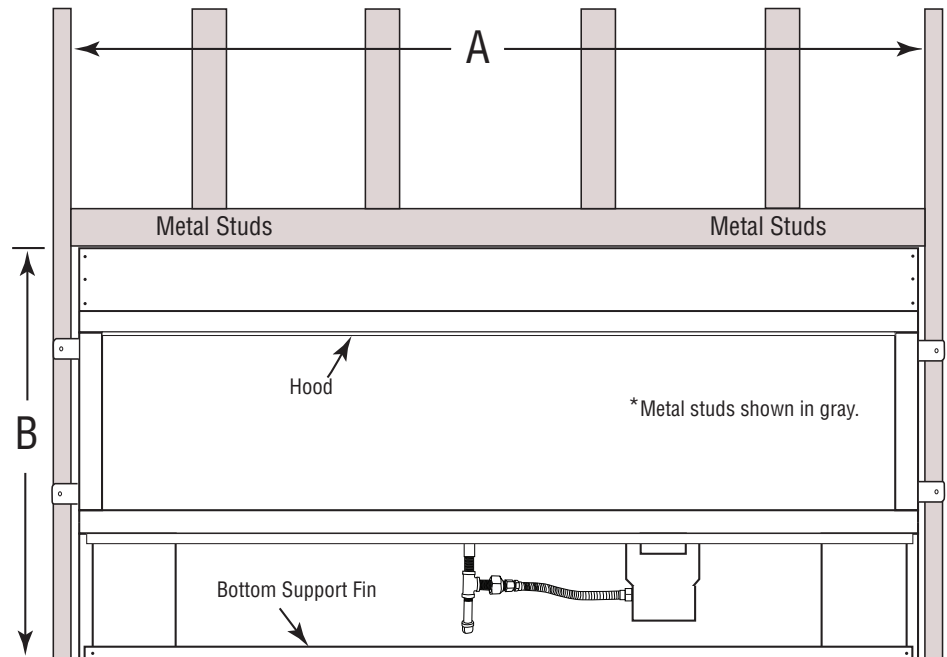
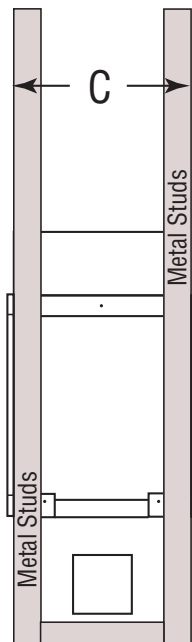
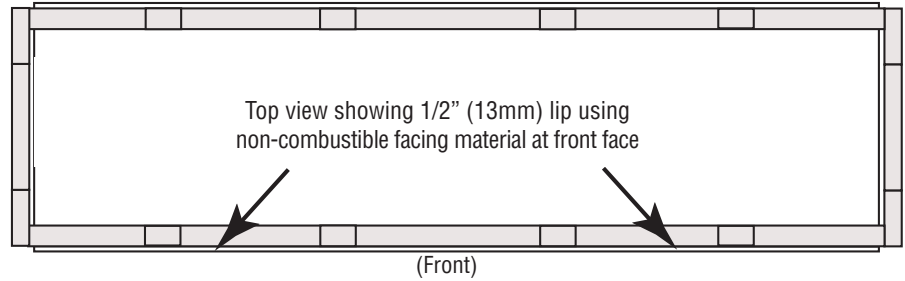
Model: Natural Gas (NG)	A Width	B Height	C Depth
BarcelonaLights36ZEN or VRE4636ZEN	40-1/2" (1029mm)	37-3/4" (959mm)	15" (381mm)
BarcelonaLights48ZEN or VRE4648ZEN	52-1/2" (1334mm)	37-3/4" (959mm)	15" (381mm)
BarcelonaLights60ZEN or VRE4660ZEN	64-1/2" (1639mm)	37-3/4" (959mm)	15" (381mm)
BarcelonaLights72ZEN or VRE4672ZEN	76-1/2" (1943mm)	37-3/4" (959mm)	15" (381mm)

**Table 6 - Fireplace framing dimensions.**

**NOTE:** This fireplace requires metal studs for framing. Wood studs are not permitted.



**NOTE:** This outdoor fireplace is not a "load bearing" fireplace. All finishing materials must be supported by the surrounding structure and not rely on the fireplace itself.



**Figure 13 - Framing dimensions using all non-combustible materials for see-through fireplace; refer to Table 6.**

## LED LIGHTING INSTALLATION

This fireplace is equipped with LED lighting. **Preparation for the LED lighting a must be planned before the fireplace finish materials are installed.** After the fireplace is set in its final location the LED lighting will need to be installed and tested before finishing materials are applied. You will need to provide the following:

(1) 120VAC GFCI outlet double gang junction box with a weatherproof cover. Provides power to LED lights. Must be accessible for service. Follow local electrical codes for installation.

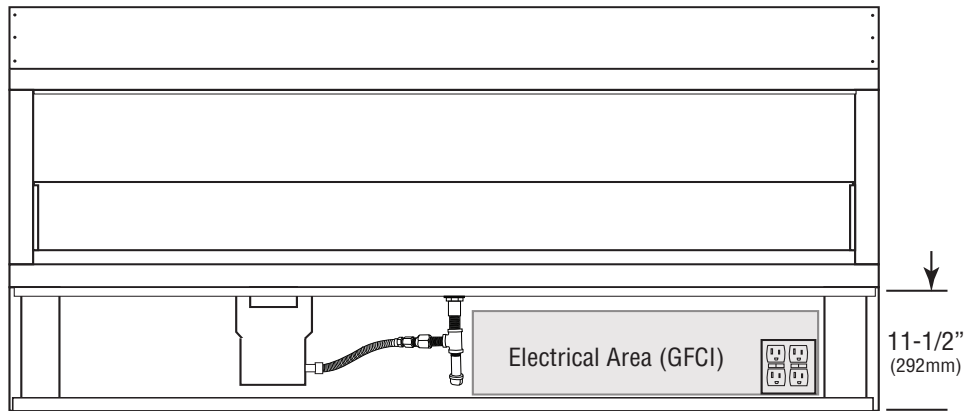
A triple gang junction box with switches is provided with the fireplace. It must be installed within the framing parameters of the fireplace.

**Step 1:** Install the GFCI outlet double gang junction box with a weatherproof cover on the opposite side of the inlet gas supply.

**NOTE:** This is not a requirement; however, with the gang box on the opposite side of inlet will create more room for LED installation.

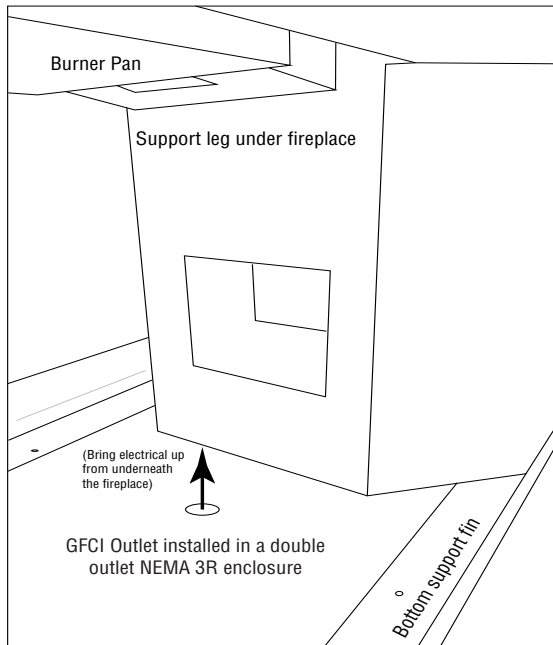
**Figure 16** shows GFCI gang box installed.

The electric junction box (GFCI) with a weatherproof cover must be installed in the shaded area shown below. Ensure the j-box is close to the floor area where the fireplace is sitting and not touching the burner pan.

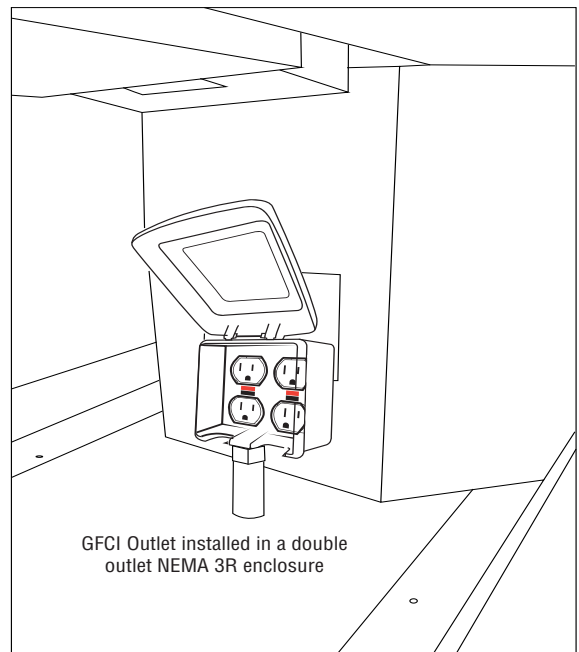


**Figure 14 - Electrical Placement**

**Step 2:** Find mounting location for the GFCI gang box. **Figure 15** shows flat area underneath burner pan. Mount box underneath the burner pan, below the square (cutout) hole area. **Figure 16** shows the GFCI outlet double gang junction box with a weatherproof cover mounted underneath the fireplace.



**Figure 15 - GFCI box location under fireplace**



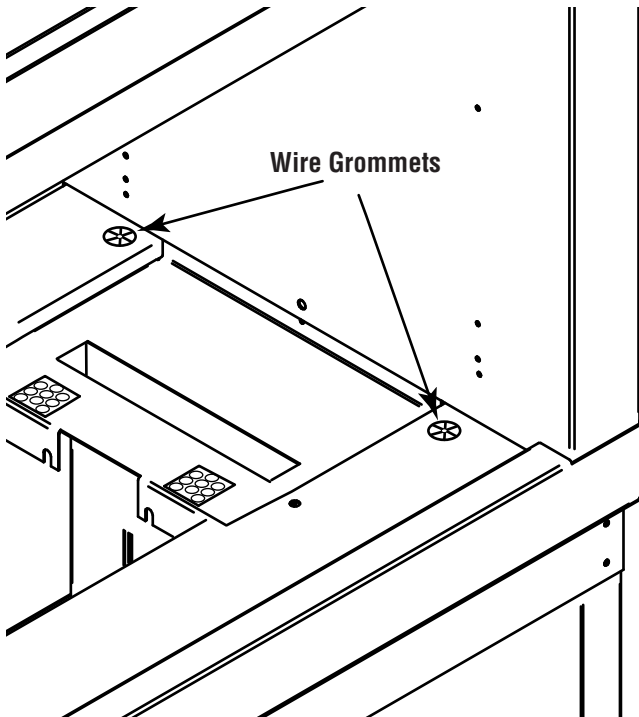
**Figure 16 - Show GFCI box mounted in fireplace**

## LED LIGHTING INSTALLATION

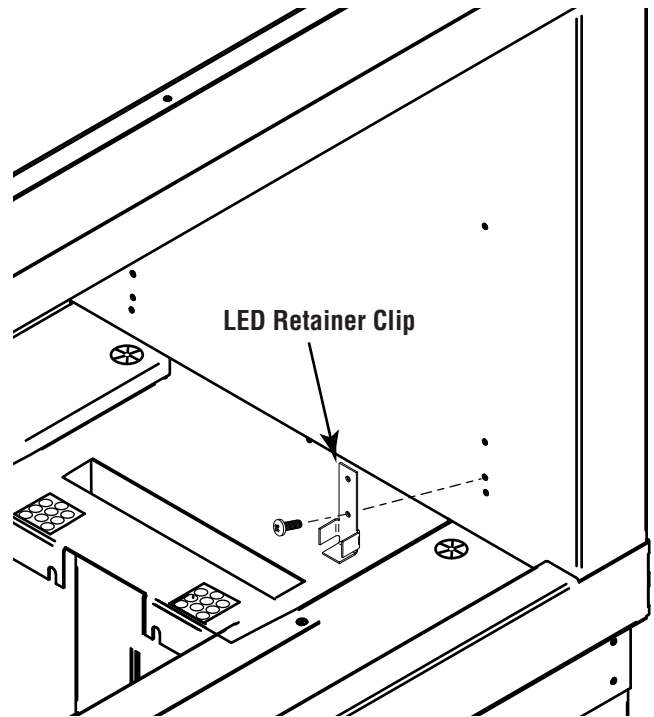
*Continued*

**Step 3:** Locate the wire grommets inside the firebox. See **Figure 17**. Directly above them will be a series of mounting holes for the windshield and LED retainer clips. Prepare the fireplace by installing the LED retainer clips. The retainer clips have two holes in them. Install one (1) clip on the left and one (1) clip on the right side of the inner fireplace side wall. Install as shown in **Figure 18**.

**NOTE:** If you are preparing a see-through fireplace you will install a total of (4) retainer clips, two on open side.



**Figure 17 - Locating wire grommets**

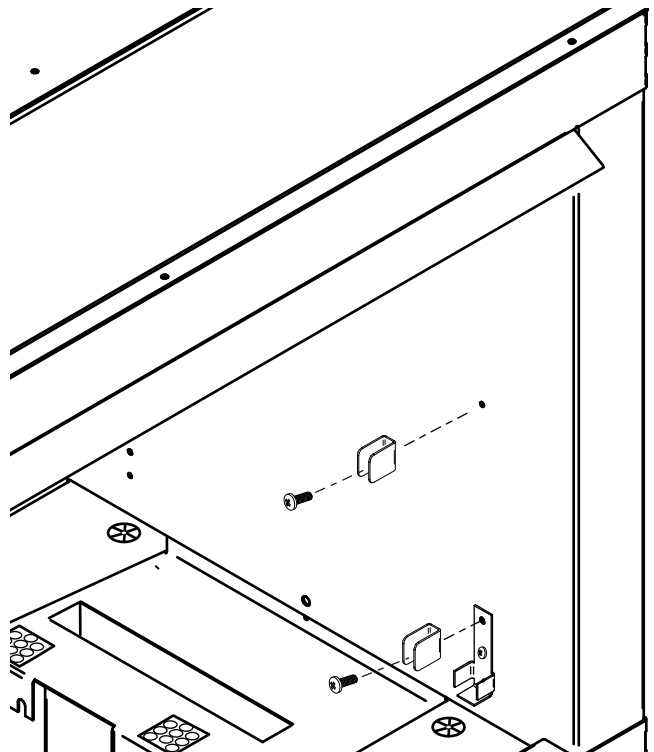


**Figure 18 - Shows clip installed on right side of fireplace**

**Step 4:** Install the four (4) windshield clips, two on each side, one at the top and one with the LED retainer clip as shown in **Figure 19**.

**NOTE:** if you are preparing a see-through fireplace you will install a total of (8) windshield clips, four on each open side.

**PRECAUTION:** When installing windshield clips do not secure the screws tight. They need to be loose enough to allow the clip to move slightly and spin around. Loose clips provide windshield to be easily installed.

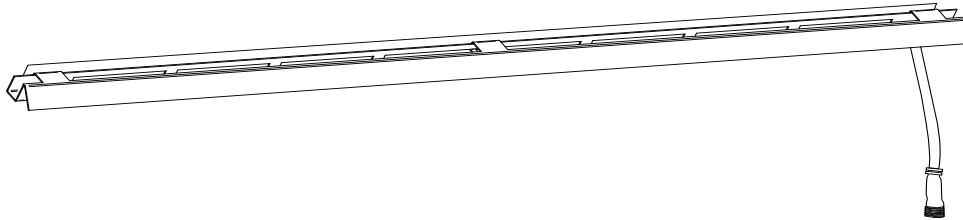


**Figure 19 - Installing windshield clips**

## LED LIGHTING INSTALLATION

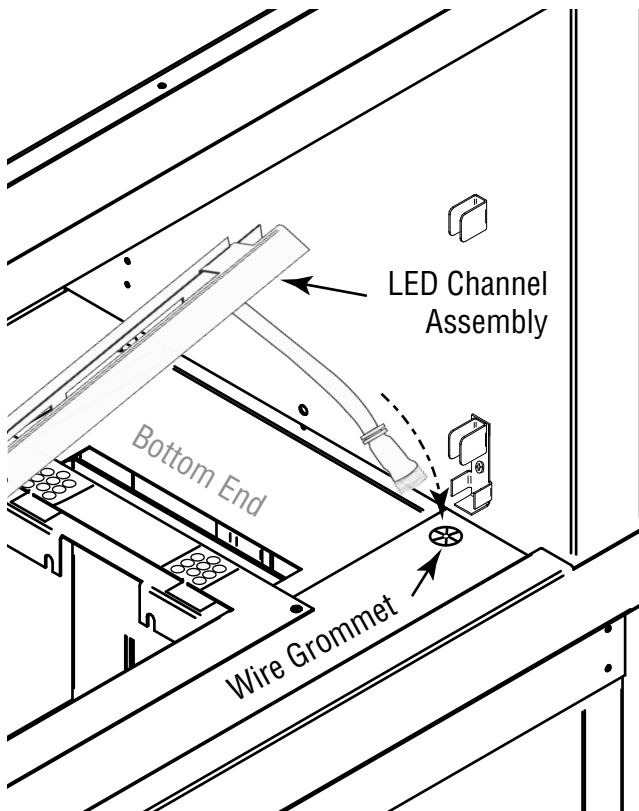
*Continued*

**Step 5:** Remove the LED right channel assembly from the carton (The front of the channel has a shield facing the front with the LED wire hanging on the right side). See **Figure 20** and **Figure 21** for details. **NOTE:** If you are installing into a see-through fireplace you will install both right and left channels assemblies.

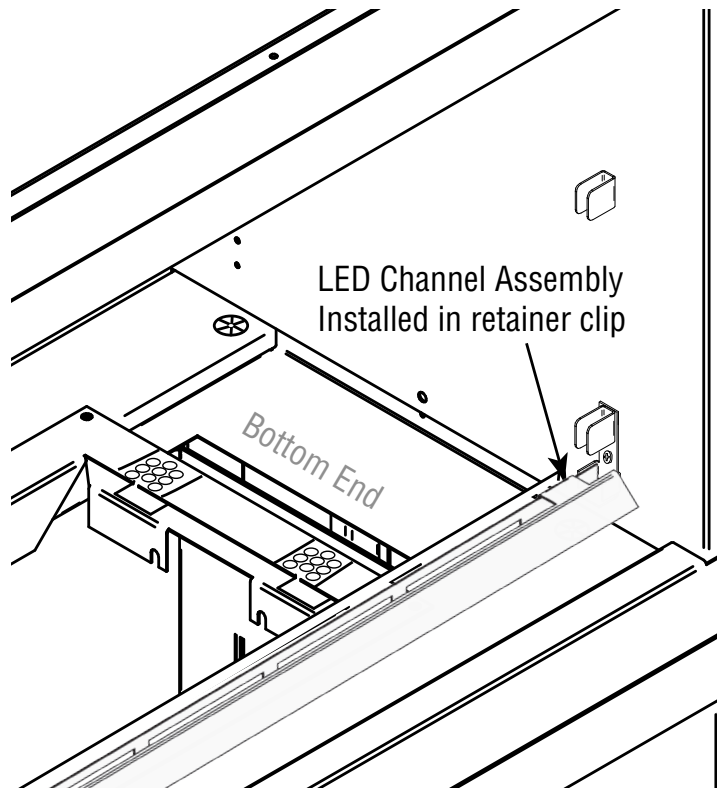


**Figure 20 - Shows LED right channel**

**Step 6:** Carefully push the LED channel assembly connector through the wire grommet. As you push it through the grommet sit the channel into the retainer clip. Ensure the other end of the channel is also sitting inside the other retainer clip. See **Figures 21 and 22** as a reference. **NOTE:** If you are installing into a see-through fireplace install the other LED light strip and channel the same direction.



**Figure 21 - Installing LED lights and channel**



**Figure 22 - LED installed in retainer clip inside fireplace**

# LED LIGHTING INSTALLATION

Continued

**Step 7:** Remove the (3) screws from the “bottom end” of the burner pan area. The bottom end part fills the space between the burner pan and the fireplace side panel. It is held into place with three (3) screws. See **Figure 23**.

First remove the two inside screws, then the screw securing the side wall. Lift up the area where the two screws were and push down where the single screw was, then lift the bottom end out of the fireplace.

**Step 8:** With bottom end removed, wire part, Cat. No. F3499 (LED Wire Harness) female connectors to the LED male connectors protruding through the wire grommets. The male end of the LED connector will lock into the female connector in one direction only. Once locked in position, screw the threaded cap of the female connector securely to the male connector. **NOTE:** If you are only using one set of LED lights the other female connector of Cat. No. F3499 will not be used. See **Figure 24**.

**Step 9:** After connecting the LED lights into the LED Wire Harness insert the 12-volt adaptor (1/4” terminals) into the (red and black wires) of LED wire harness. Plug the 12-volt adaptor into the 120VAC GFCI box with weather proof cover.

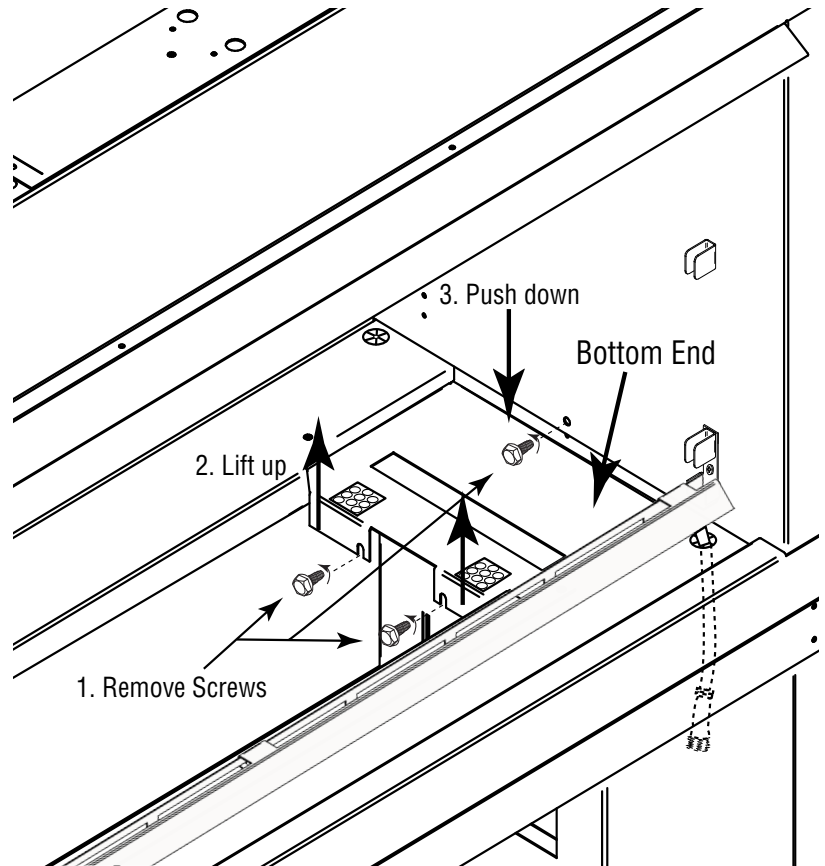


Figure 23 - Removing bottom end

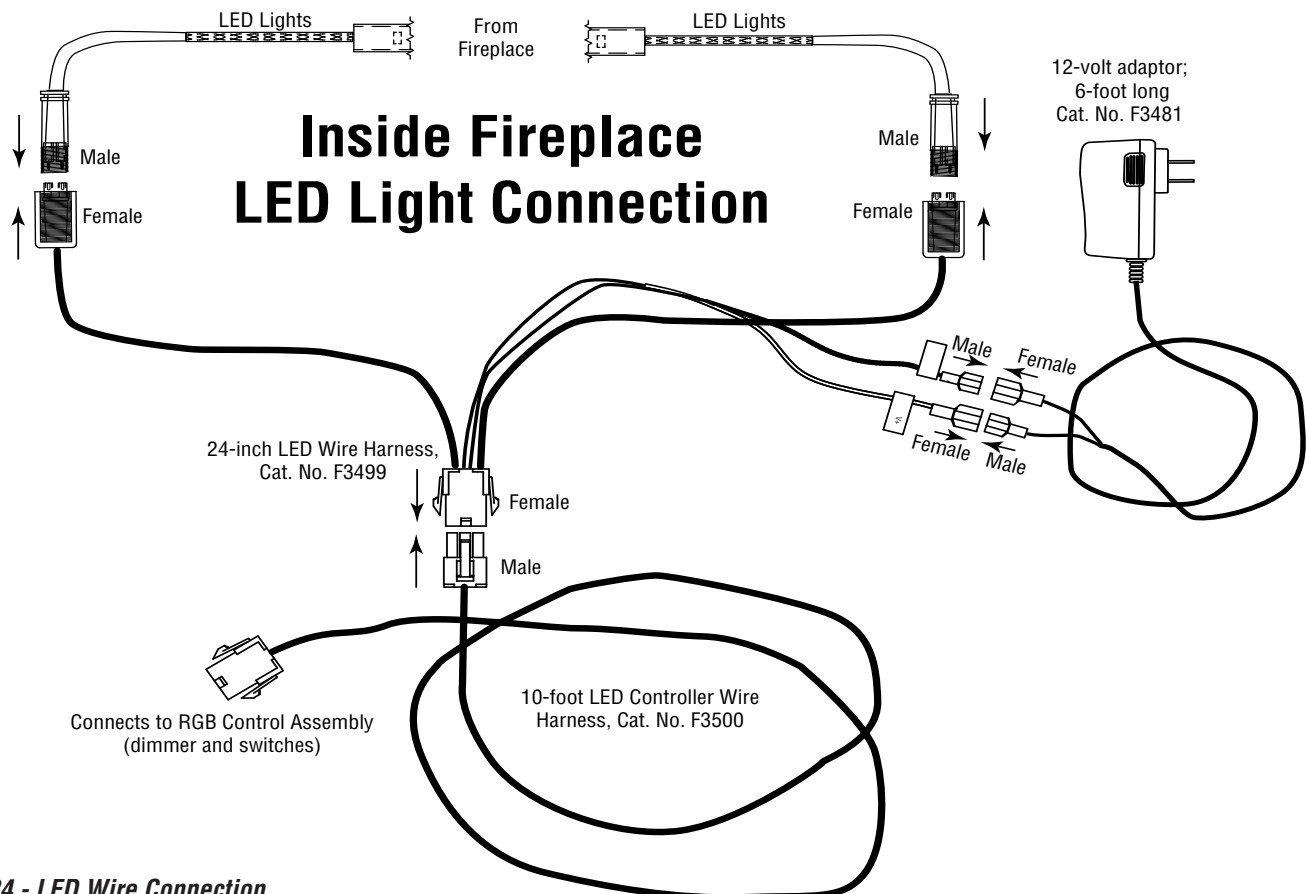


Figure 24 - LED Wire Connection



# LED LIGHTING INSTALLATION

*Continued*

**Step 10:** Remove the RGB control box from the components parts carton. The fireplace is supplied with 10-feet of wiring for the RGB control box (switches and dimmer) installation. Find a suitable location within a close proximity of the fireplace for convenience of operation and mount the control box upright and level as shown in **Figure 27**. Use **Figures 25 and 26** for dimensional reference.

**CAUTION: ENSURE ALL SWITCHES ARE IN THE OFF POSITION. "1" INDICATES IGNITE/ON AND "0" INDICATES OFF. LEARN BUTTON DOES NOT APPLY.**

**Step 11:** Remove the four (4) outer screws from each corner inside the cover plate and lift off. See **Figure 25**. This will expose the mounting plate. See **Figure 26**. **CAUTION: DO NOT REMOVE THE TWO CENTER SCREWS FROM THE COVER PLATE. THIS WILL RELEASE THE ENTIRE SWITCH BOX WIRING FROM INSIDE THE JUNCTION BOX AND MAKE IT DIFFICULT TO REINSTALL.**

Take note of the 8-PIN and 6-PIN wire connectors. These are labeled LED lights (6-PIN) and Control Module (8-PIN) connections. These will be the final connection to the fireplace and crucial to the operation.

**Step 12:** Mount the RGB control box into the desired location.

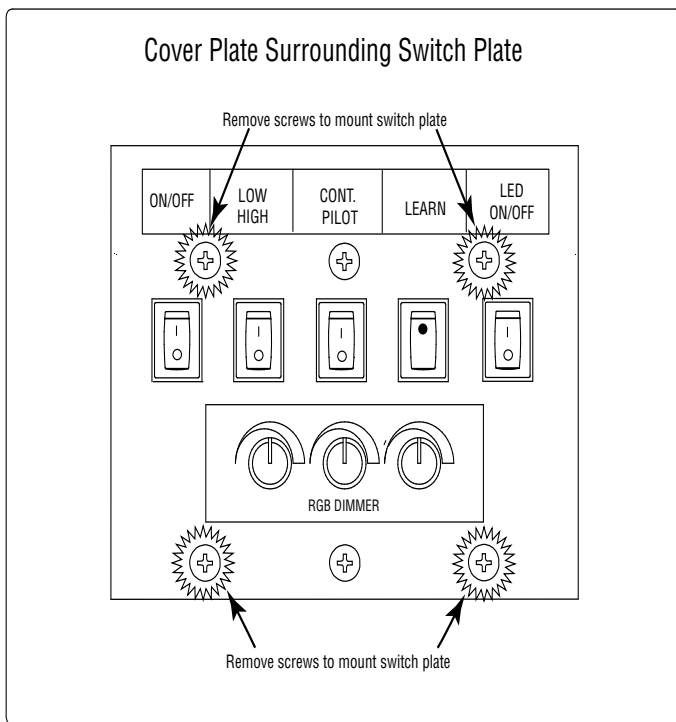
**CAUTION: AVOID USING EXCESSIVE FORCE WHEN INSTALLING ANY CONNECTORS.**

**Step 13:** Remove the 8-PIN module wire harness (Cat. No. F3500) from the components part box. Locate the 8-PIN male connector from the valve box (under the fireplace) and connect it to the 8-PIN female end of the wire harness. Connectors only attach one way; press together until it snap locks into place. See **Figure 27** for details.

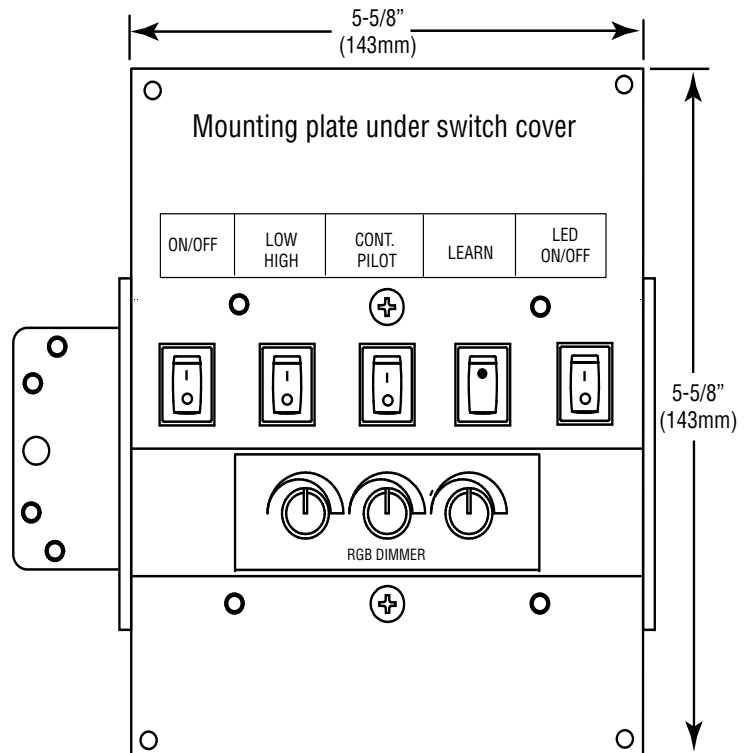
**Step 14:** Feed the other end of the wire harness through the square access hole underneath the fireplace and pass the GFCI box, outside the fireplace to the RGB control box and connect. Connectors only attach one way; press together until it snap locks into place.

**Step 15:** Locate the two 1/4" male terminals from the valve box and connect the AF-4000ADP24 adaptor (Cat. No. F3482). Plug the 7.5VDC adaptor into the 120VAC GFCI box.

**Step 16:** Locate the 6-PIN wire harness (Cat. No. F3500) for the LED lights and feed the wire harness up to the RGB control box and attach. Connectors only attach one way; press together until it snap locks into place. See **Figure 27**.



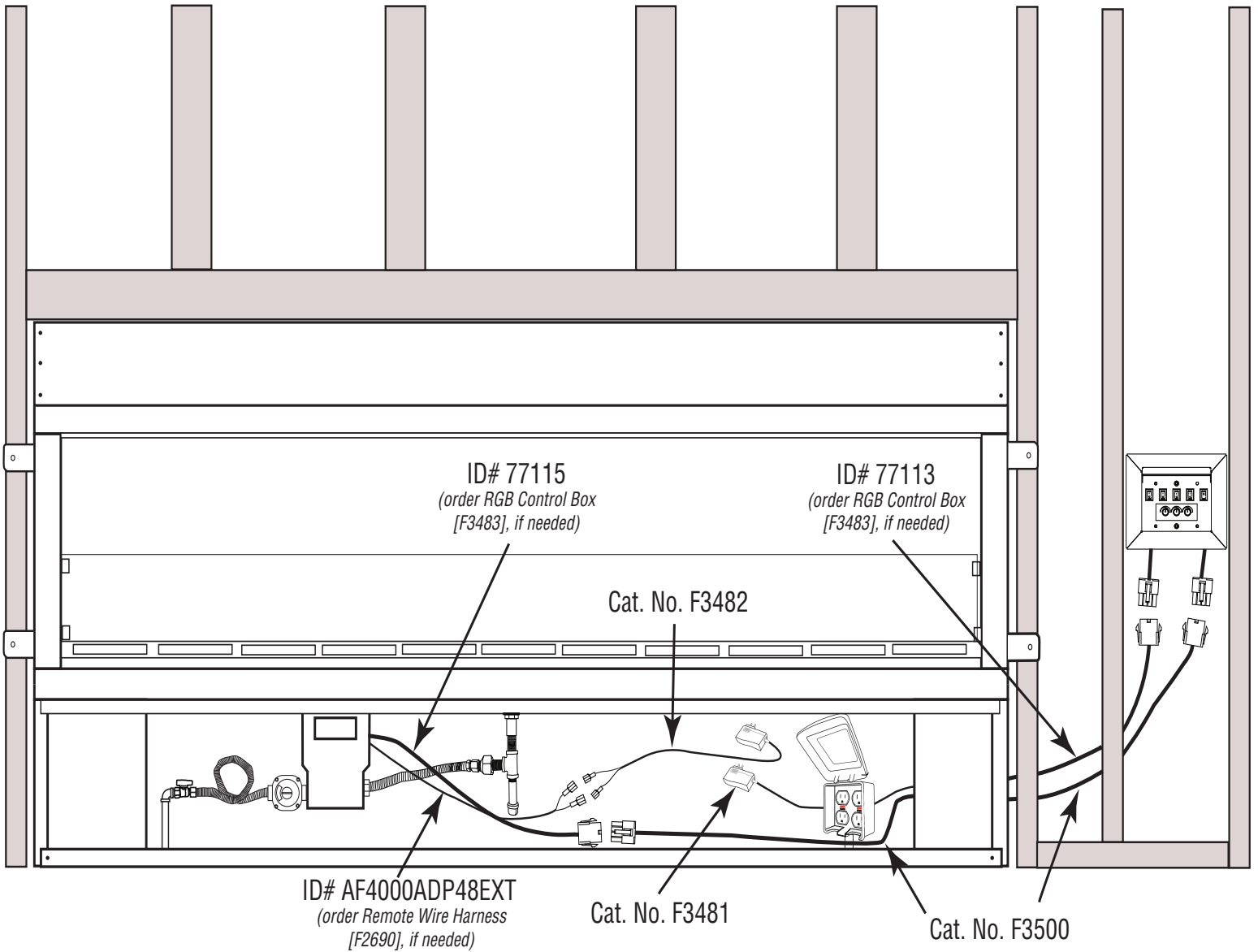
**Figure 25 - RGB Control Box with 8-3/4" x 8-3/4" Cover Plate**



**Figure 26 - RGB Control Box Mounting Plate**

# LED LIGHTING INSTALLATION

*Continued*



**Figure 27 - Overview of fireplace wiring**

# LED LIGHTING INSTALLATION

Continued

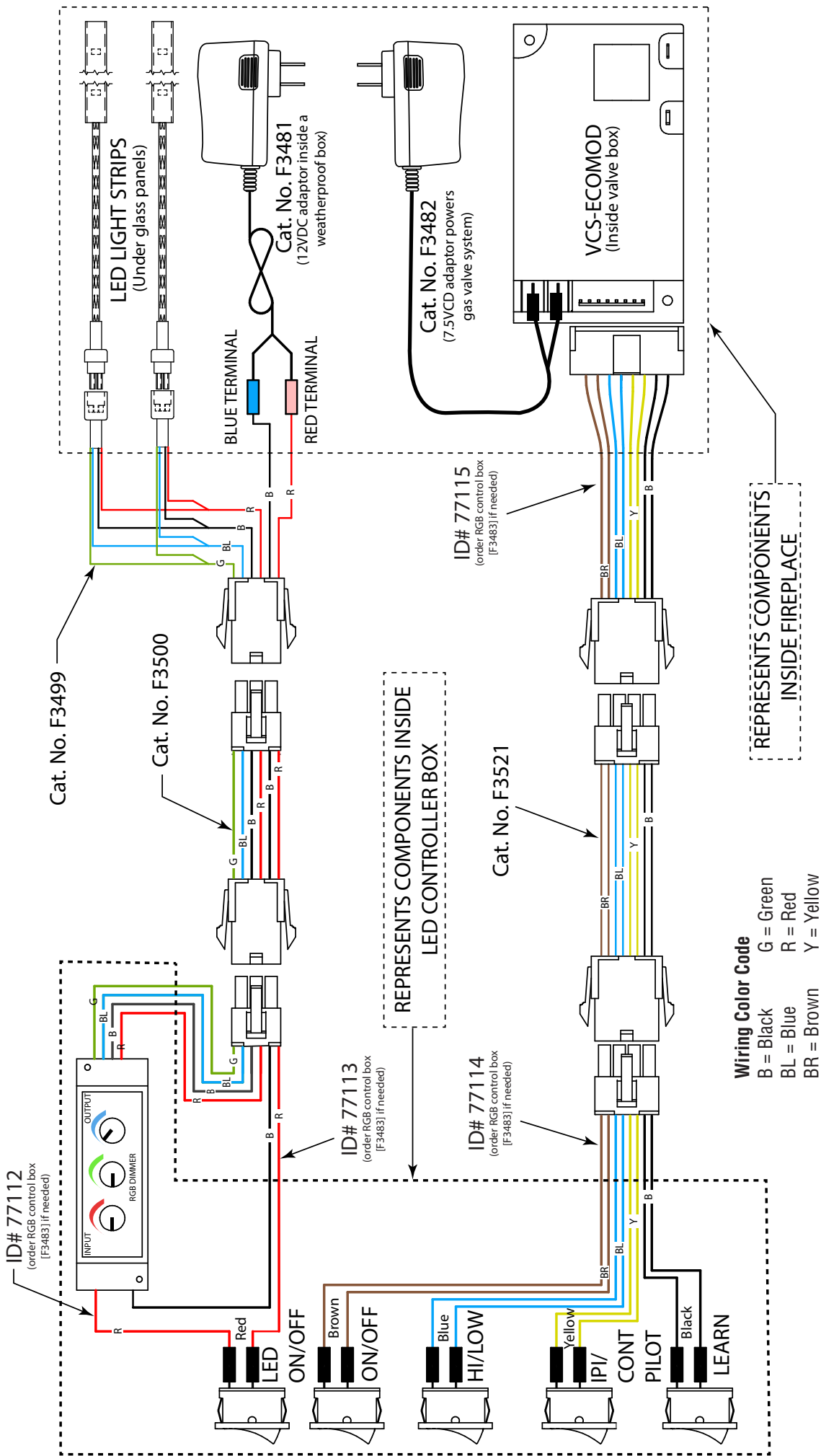
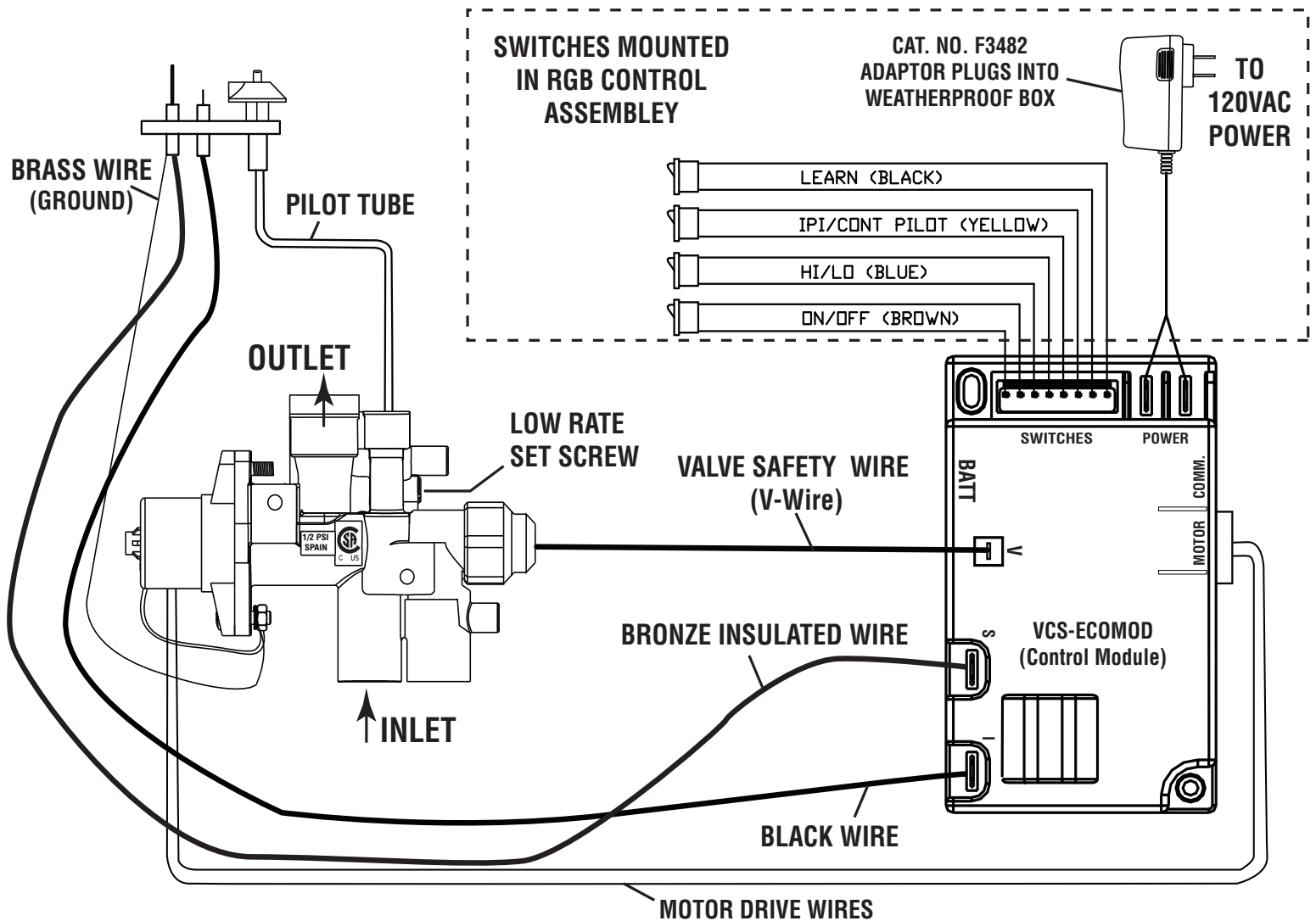


Figure 28 - This wiring diagram shows the LED circuit in relationship to the IPI gas valve control system. Each is independent of the other.

# LED LIGHTING INSTALLATION

Continued



These Fireplaces are equipped with an electronic gas valve and has an IPI//CPI electronic ignition system. The IPI/CPI switch allows the pilot to be switched from intermittent mode to continuous mode:

- (IPI) Intermittent Mode—The pilot is extinguished when the fireplace is OFF.
- (CPI) Continuous Mode—The pilot stays ON when the fireplace is OFF.

Figure 29 - This wiring diagram shows the components inside the valve box. The dotted line box shows the components external of the valve box.

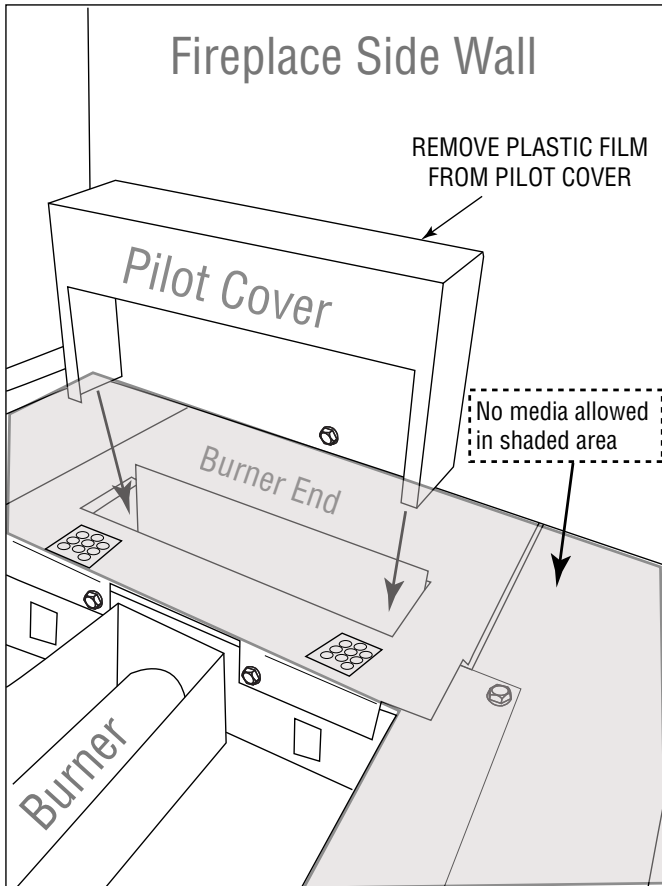
## FINAL PREPARATION

When the fireplace is framed into position and the gas line is run in place it is recommended to burn test the fireplace before the finish work is complete. This will ensure proper operation and enables the installer to check for any gas leaks at the fireplace.

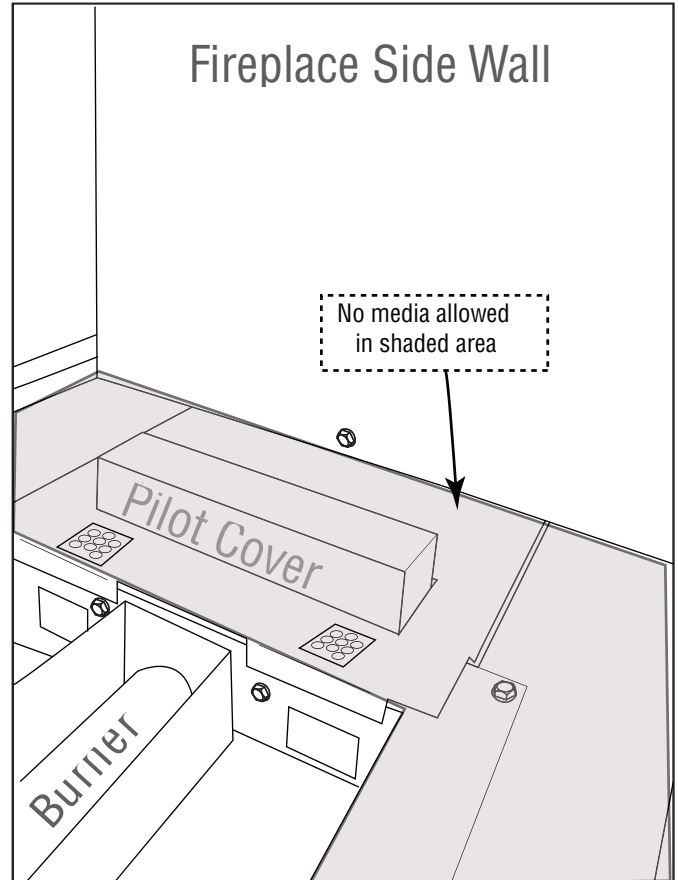
**NOTE:** *The pilot covers have a plastic film that must be removed before installing.*

Once the burner pan assembly is secured into position, the pilot covers must be installed (one on each side). After you have removed the plastic film install the pilot covers into the open slot of each burner end (spacers that center the burner) with the open side of pilot cover facing toward the fireplace side wall (See **Figures 30 and 31**).

**NOTE:** *Even though there is no pilot on the opposite end the other pilot cover provides combustion air evenly to the burner for operation.*



**Figure 30 - Installing pilot cover**



**Figure 31 - Pilot cover installed**



# FINAL PREPARATION

*Continued*

## PILOT OPERATION & TEST FIRE

The pilot assembly is located at the end of the burner hidden underneath a pilot cover. Ensure the pilot flame is passing through the ignition hole in the burner pan for proper ignition. Use the **Figure 32** as a guide.

Test fire the fireplace before installing media. At the same time this is a good time to double check for any gas leaks or electrical connections before finalizing the installation by installing the glass media.

## INSTALLING MEDIA

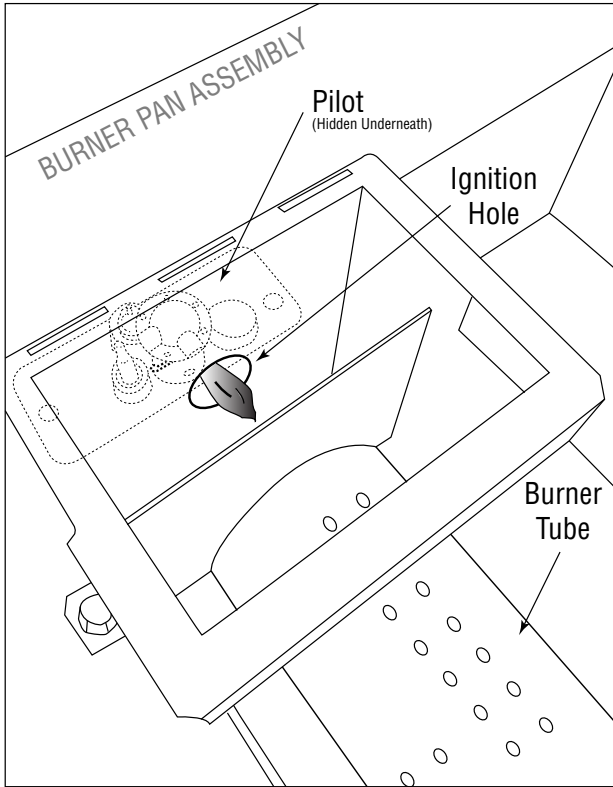
Open the media box and install the glass media as shown in **Figures 33 and 34**. Place media fireglass into the trough area first as shown in **Figure 33**. Use the remaining media to fill the burner pan equally on both sides. After filling the trough reinstall the mesh hood overtop of the pilot area.

Keep media in burner pan the same level as the trough to allow the burner area to appear as one complete burner pan.

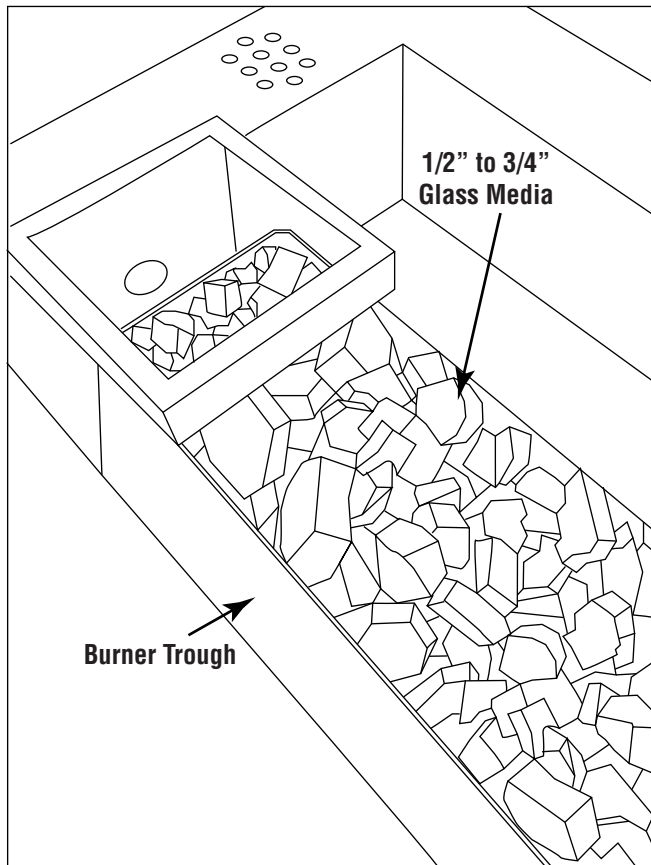
**IMPORTANT:** Media can only be placed in the trough and burner pan area. No media is to be placed into the shaded area shown in **Figure 35**.

**CAUTION:** Ensure there is no media in the ignition hole area. The burner tube gas ignites in this area to light the fireplace. Media in this area could cause delayed ignition.

The fireplace requires 1/2"-3/4" large broken fireglass to be installed into the burner trough and burner pan. Use the table below to assist in determining the amount of media needed for your specific model.



**Figure 32 - Proper pilot flame through ignition hole**



**Figure 33 - Installing media into the fireplace.**

Large Broken Glass	
Model #	Burner pan & Trough
36"	Qty 3 (5# bags)
48"	Qty 4 (5# bags)
60"	Qty 5 (5# bags)
72"	Qty 5 (5# bags)

**Table 7 - Media specifications. Requires 1/2" - 3/4" fireglass (burner pan media amount does not include the trough)**

Cat. No.	Model	Description
F3507	GLO-BLACK	Black Onyx Glass Media, 5lb
F3508	GLO-CRYSTAL	Diamond Crystal Glass Media, 5lb
F3509	GLO-LT BLUE	Sapphire Blue Glass Media, 5lb

**Table 8 - Glass Media**

## FINAL PREPARATION

Continued

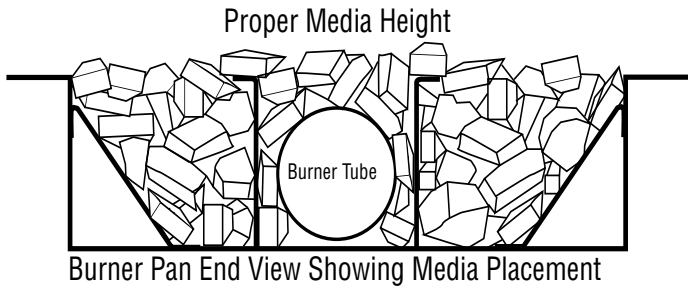


Figure 34 - End view of burner with media

**NOTE:** Media amounts listed in **Table 7** are guides and can vary depending on media used. Ensure not to cover more than 1/2-inch above the actual burner tube and keep all media within the burner pan area (see **Figures 33, 34, and 35**).

**CAUTION:** It is important to ensure proper glass media placement per instructions in this manual. Verify the pilot flame is not obstructed.

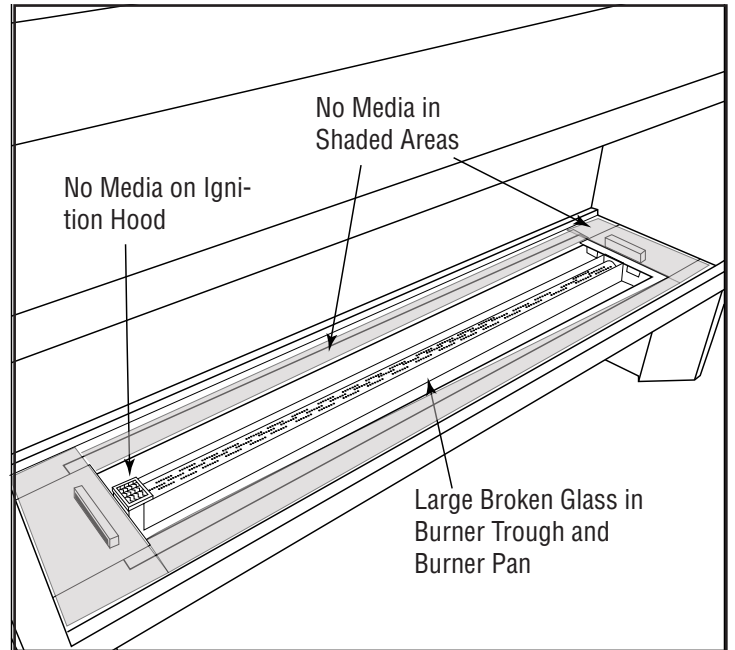


Figure 35 - Covering the entire fireplace floor is **NOT** permitted in the shaded area

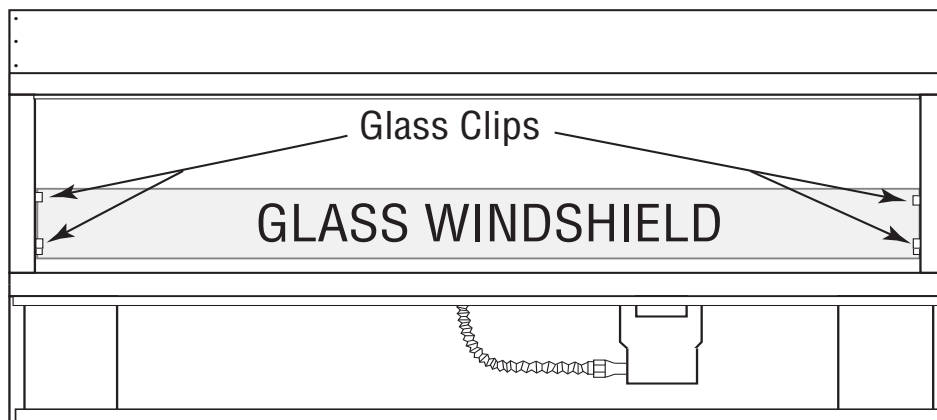


Figure 36 - Windshield clips location



**WARNING:** During operation of the fireplace the glass will get hot! Hot glass will cause burns.

**DO NOT TOUCH** glass until cooled.

**NEVER** allow children to touch the glass.

# FINAL PREPARATION

Continued

## INSTALLING HOOD(S)

The fireplace requires hoods to be installed into the upper opening of the firebox. If you are installing a single-sided fireplace you only install one (1) hood. **NOTE: If you are installing a see-through fireplace a hood is required on both sides of the fireplace opening.** All models require five (5) screws to secure the hood to the fireplace except the 72-inch model, which uses seven (7) screws to secure the hood. The hood protrudes 1-inch from fireplace opening.

**Figure 37** Shows hole location and installation process for hood installation. The protruding area of the hood is to be angled downward for proper installation, see Hood Detail below.

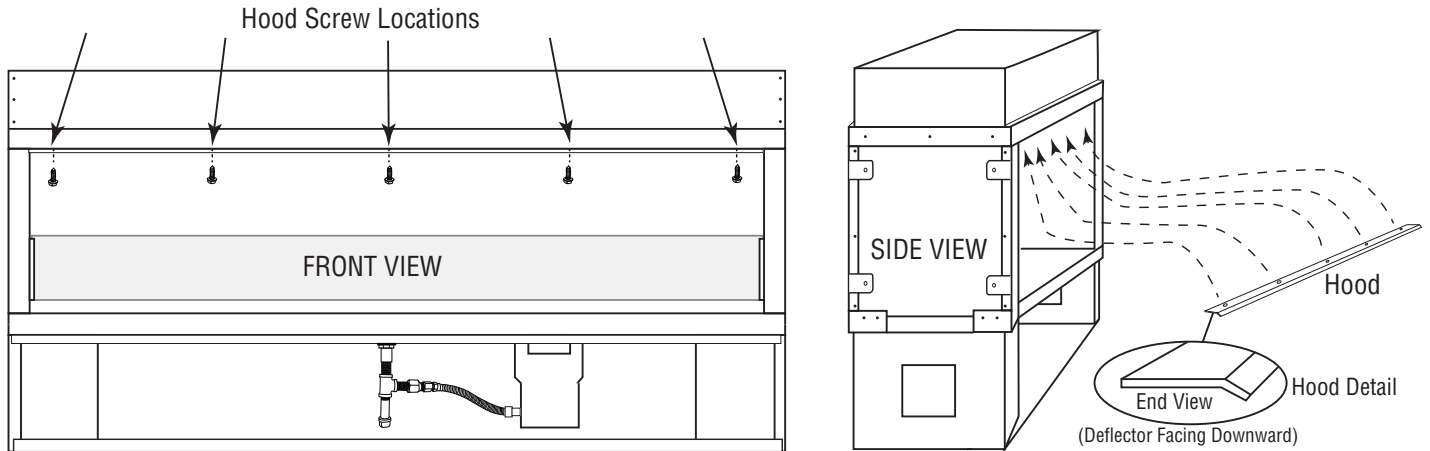


Figure 37 - Installing hood(s) on the fireplace

## INSTALLING WINDSHIELD(S)

Before installing the windshields first rotate the top windshield clip to approximately 45°. See **Figure 38**. Next while holding the glass panel horizontally slide the bottom end on each side into the top windshield clip. Then slide the entire windshield down into the lower clip and rest on top of the LED channel cover.

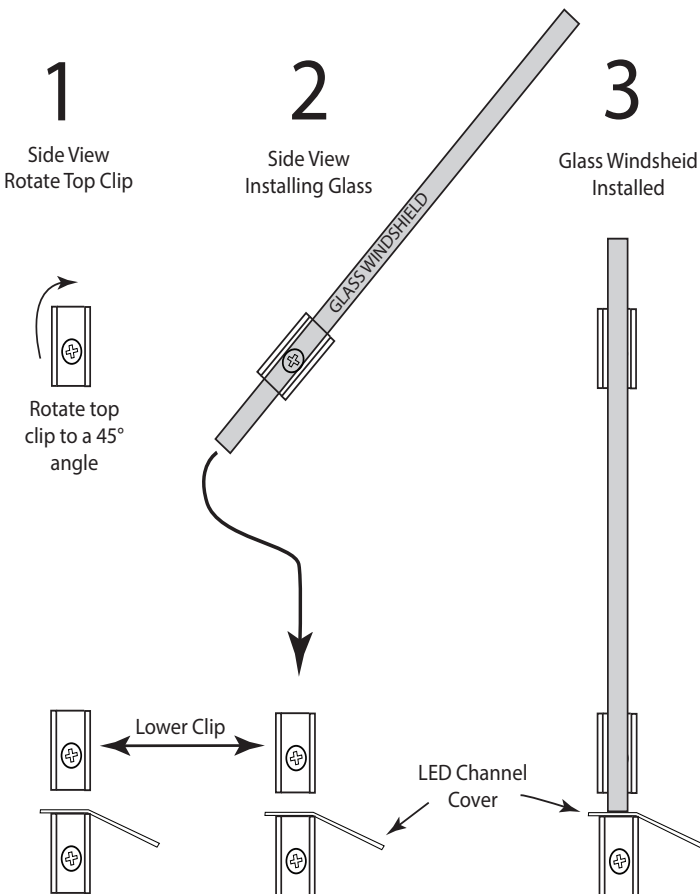


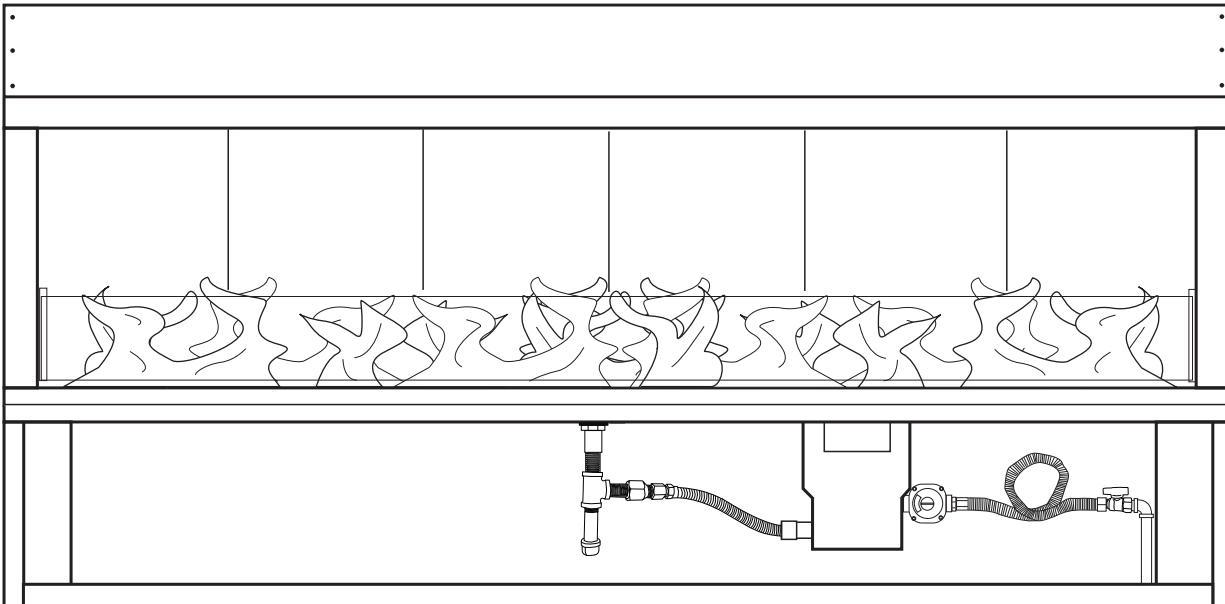
Figure 38 - Installing glass windshield into fireplace

## FINAL PREPARATION

*Continued*

### FLAME HEIGHT

Proper flame height (**Figure 39**) should be at the top edge of glass windshield (peaking above at times) while on HI setting. The LO setting will be at least half of the height of HI or maybe lower. There can be a variance in flame height between Natural gas and Liquid Propane (LP) gas models.



**Figure 39 - Proper flame height**

## OPERATION

**CAUTION:** Children and adults should be alerted to the hazards on high surface temperatures and should stay away to avoid burns or clothing ignition. Young children should be carefully supervised when they are in the area of the appliance.

**WARNING:** Do not use this appliance if any part has been under water. Immediately call a qualified service technician to inspect the appliance and to replace any part of control system and any gas control, that has been under water.


### SAFETY WARNINGS

1. Never leave the fireplace unattended during operation.
2. Clothing or other flammable materials should not be hung from the appliance or placed on or near the appliance.
3. Any guard or other protective device removed for servicing the appliance must be replaced prior to operating the appliance.
4. Installation and repair should be done by a qualified service person. The appliance should be inspected before use and at least annually by a qualified service person. More frequent cleaning may be required as necessary. It is imperative the control compartment, burners and circulating air passageways of the appliance be kept clean.
5. Inspect the fuel supply connection before each use of the appliance.
6. Temporary storage of this appliance indoors is permissible only if it has been disconnected from its fuel supply (Natural or L.P. gas line).

### WARNING

1. This appliance is hot when operated and can cause severe burns if contacted.
2. Do not burn any solid fuels in this appliance.
3. These appliances are not designed or intended to be used for cooking. Do not barbecue, heat food, or roast marshmallows in this appliance. Doing so could damage the appliance and cause injury.
4. These appliances are not designed or intended to be used for cooking. Do not barbecue, heat food, or roast marshmallows in this appliance. Doing so could damage the appliance and cause injury.

is purged). During this time, an “Ignition In-Process” beeping pattern will take place. (e.g. one short beep, pause, three short beeps, pause; repeated until ignition occurs). **NOTE:** *Beeping pattern may be difficult to hear outdoors.*

3. The main flame ignites (defaults) in the HIGH position. Press the “I” on the LOW/HIGH button to adjust to the LOW setting.
4. A continuous pilot flame can be turned ON or OFF with the continuous pilot button.
5. Push the “I” on the LED ON/OFF switch. LED’s will turn ON. Adjust the intensity of the lighting by turning the knobs clockwise  on each dimmer knob. There is infinite color combinations by adjusting the dimmer knobs to personal taste.

### HOW TO TURN OFF

1. To turn OFF the fireplace press the “O” position on the ON/OFF switch. This will turn OFF the fireplace. **NOTE:** *Fireplace must be OFF for 5-minutes before relighting.*

To turn OFF the LED lights in the fireplace press the “O” position on the LED ON/OFF switch. This will turn OFF the LED lights. The LED lights are independent of the fireplace and can be used when the fireplace is not in operation.

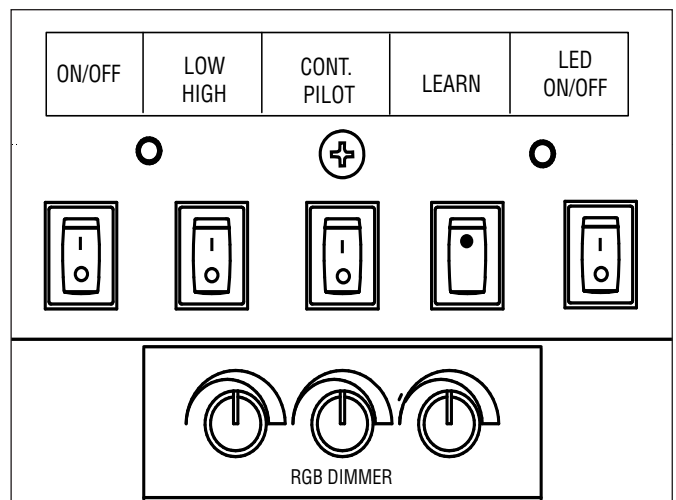


Figure 40 - Control panel

## LIGHTING INSTRUCTIONS

### READ ALL WARNING AND SAFETY INFORMATION ABOVE BEFORE ATTEMPTING TO LIGHT FIREPLACE

1. Turn **ON** main gas supply and check all fittings and connections for leaks with a soap and water solution.

### HOW TO TURN ON

2. Push the “I” on the ON/OFF switch to turn ON (System will take approximately 7-10 seconds before ignition after the gas line



## FIREPLACE MAINTENANCE

### WARNING

- Turn off gas and any electrical power before servicing the appliance.
- Let fireplace completely cool before cleaning.
- Failure to keep the primary air opening(s) of the burner(s) clean may result in sooting and property damage.
- Burner Flame Pattern - If yellow tipping occurs, your fireplace could produce increased levels of carbon monoxide. Do not mistake orange flames with yellow tipping. Dirt or other fine particles enter the fireplace and burn causing brief patches of orange flame.

### CAUTION

You must keep control areas, burner and circulating air passageways of fireplace clean. Inspect these areas of fireplace before each use. Have fireplace inspected yearly by a qualified service person.

**Inspect Burner Assembly.** If it is evident that the burner is damaged, the burner must be replaced with one specified by the manufacturer before the appliance is put into operation.

**Inspect Burner Flame and Pilot Flame Appearance Periodically** do a visual check of the burner flame and the pilot flame. Ensure that the burner flame appearance resembles the flame shown in *Figure 39, Page 27*. Refer to *Figure 35 on Page 25* for more information about the pilot flame appearance. Contact a qualified service technician at once if any abnormal condition is observed.

**Verify proper operation after servicing.**

**S'assurer que l'appareil fonctionne adéquatement une fois l'entretien terminé.**

1. The fireplace should be inspected and cleaned before first use at the beginning of each season by a qualified field service person.
2. Any component that is found faulty must be replaced with an approved component.
3. Any tampering with or modifying the fireplace is dangerous and voids all warranties.
4. During winter months in cold climates and various seasons operation the fireplace may be affected by weather conditions. It is recommended to use a weather proof cover overtop for your fireplace to protect it from humid/rainy weather conditions when not in use. Heavy rains/downpours could affect the fireplace operation if not covered; if this occurs ensure you allow the fireplace time to dry out before attempting to operate.  
**NOTE:** If a combustible type cover is used over the fireplace when not in use be sure to remove it before operation to prevent a severe safety hazard.
5. Carbon (soot) may build up on the metal interior during heavy use. Sooting may also occur periodically under the pilot cover.  
**CAUTION:** Ensure fireplace is cool to touch and gas is turned OFF. To clean, mix several drops of dish washing liquid into a bucket of hot water. The dish soap assists in breaking up the soot and removing it from the metal.
  1. Dip a scrubbing sponge into the soapy water and wipe it back and forth over the soot deposits. This breaks off the majority of the soot from the metallic surface.
  2. Spray any remaining soot deposits with a combination of warm water and white vinegar mixed in a spray bottle in a half-and-half solution. White vinegar is slightly acidic and this helps break up the soot and cleans the metal effectively.
  3. Run a nylon scrub brush against any stubborn soot to remove it from the metal. Avoid using a metal scrub brush since this can result in scratching.
  4. Buff the metal with a damp rag to remove any remaining soap or vinegar and then dry it with a dry rag.
6. Over time stainless steel parts can discolor when heated, usually a golden or brown hue. This discoloration is normal and does not affect the performance of the appliance.

## GENERAL TROUBLESHOOTING

Symptom	Remedy
Fireplace Won't Light	<ol style="list-style-type: none"> <li>1. Bleed gas line.</li> <li>2. Ensure all gas lines are turned ON.</li> <li>3. Ensure there is not too much media overtop the burner, it can inhibit the gas flow. Too little or no media can also contribute to non-lighting.</li> <li>4. Ensure adaptor is plugged in.</li> <li>5. Verify 120VAC power at junction box under burner pan.</li> <li>6. Media blocking pilot hole. See <b>Figure 35 on Page 25</b>.</li> </ol>
No Spark to Ignite	<ol style="list-style-type: none"> <li>1. Visually look at igniter for any physical damage.</li> <li>2. Ensure adaptor is plugged in and reads 7.5VDC</li> </ol>
Continues to Spark after Lighting	<ol style="list-style-type: none"> <li>1. Thermocouple out of alignment.</li> <li>2. Check connection of thermocouple at "S" terminal on control module to ensure it is connected.</li> </ol>
Low Flame	<ol style="list-style-type: none"> <li>1. Use only glass media provided with appliance or listed in the accessory section of this manual (see <b>Page 31</b>). Ensure that the media is no more than 1-inch over top of burner.</li> <li>2. Ensure all shutoff valves are fully open (see <b>Page 5, Figure 1</b>).</li> <li>3. Check for spider webs inside burner orifice.</li> <li>4. Check gas pressure.</li> </ol>
Water in my Fireplace	<ol style="list-style-type: none"> <li>1. Excess dust/sand material from media may be blocking the weep holes to relieve water. Remove all media and unplug weep holes. Clean or install new media free of dust and dirt.</li> <li>2. Ensure fireplace has proper drainage for water and proper ventilation to dry out.</li> </ol>
Whistling Noises	<ol style="list-style-type: none"> <li>1. Check media to ensure it is not too tightly packed around the burner tube.</li> <li>2. Ensure a non-whistling flex connector is being used.</li> </ol>
Fireplace Won't Stay Lit	<ol style="list-style-type: none"> <li>1. Check alignment of pilot flame through ignition hole on <b>Page 25, Figure 35</b>.</li> <li>2. Thermocouple reading should be between 10-20mV. Test at the brass ground lead on gas valve and the gold lead at "S" terminal on the control module. If no minimum millivolts are maintained replace the TC. Must test with pilot running to obtain readings.</li> <li>3. Check continuity of thermocouple. Using a volt meter remove the TC test lead "S" from the control module and the brass fork terminal from the gas valve. Test for continuity. If no continuity then replace the TC.</li> <li>4. Ensure thermocouple is clean and free of any debris. Excessive soot can be an issue.</li> </ol>
Low Flame Height	<ol style="list-style-type: none"> <li>1. Wrong media installed into the burner trough.</li> <li>2. Too much media installed overtop of the trough (See <b>Page 24 for details</b>).</li> </ol>
Sooting	<ol style="list-style-type: none"> <li>1. Incorrect gas for the fireplace. Ensure rating label has proper model number for gas being used.</li> <li>2. Too much media can cause sooting.</li> <li>3. Wrong media being used. (See <b>Page 24 for details</b>).</li> </ol>

# ERROR CODE TROUBLESHOOTING

## Error Codes

The control module has the ability to detect problems with the valve kit system and will initiate error codes when they occur. The error codes listed below will guide you to solving troubleshooting issues.

**Ignition Safety Error:** One short beep every one second.

**Cause:** Pilot did not light within the trial period of 50-60 seconds therefore step motor will turn gas valve to OFF position.

**Corrective Action:** Press OFF button to clear. Wait 30 seconds and try again.

**Recycle Safety Error:** Two short beeps every one second.

**Cause:** 1. Pilot automatically lights and drops out 3-times within 2-minutes causes step motor to turn gas valve to OFF position. 2. Someone has pressed the ON/OFF button 6-times within 2-minutes causing the step motor to turn gas valve to OFF position.

**Corrective Action:** Press OFF button to clear. After 5-minutes the beeping will stop then retry.

**Sensor Safety Error:** Four short beeps every one second (constant beeping).

**Cause:** Pilot flame sensor voltage too high, ground circuit not properly connected, pilot ground wire loose or not connected, or motor not plugged into control module; therefore, step motor will turn gas valve to OFF position.

**Corrective Action:** Press OFF button to clear. Wait 30-seconds to thermocouple to cool down. If persist, then check other possible causes and retry.

**Thermal Safety:** Four short beeps every two seconds.

**Cause:** System has overheated and exceeded 170°F internal temperature limit and the step motor will turn gas to OFF.

**Corrective Action:** Internal temperature must cool down to below 160°F then press the OFF button to clear and retry.

**Communication Safety:** One short beep every four seconds.

**Cause:** Transmitter and module are not communicating properly. Could be related to distance greater than 20-feet away from each other or weak/dead batteries in one or the other.

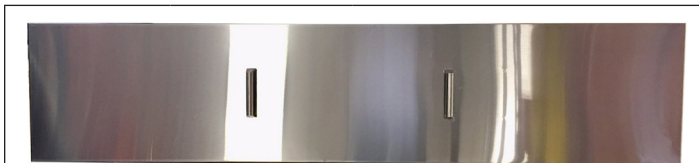
**Corrective Action:** Module must receive a signal from transmitter.

## PRODUCT REFERENCE INFORMATION

Product Reference Information Linear Electronic VF Outdoor Fireplaces		
Cat. No.	Model	Description
F3442	BarcelonaLights36ZEN	Astria®, 36", Natural Gas
F3443	BarcelonaLights48ZEN	Astria, 48", Natural Gas
F3444	BarcelonaLights60ZEN	Astria, 60", Natural Gas
F3445	BarcelonaLights72ZEN	Astria, 72", Natural Gas
F3446	VRE4636ZEN	Superior®, 36", Natural Gas
F3447	VRE4648ZEN	Superior, 48", Natural Gas
F3448	VRE4660ZEN	Superior, 60", Natural Gas
F3449	VRE4672ZEN	Superior, 72", Natural Gas

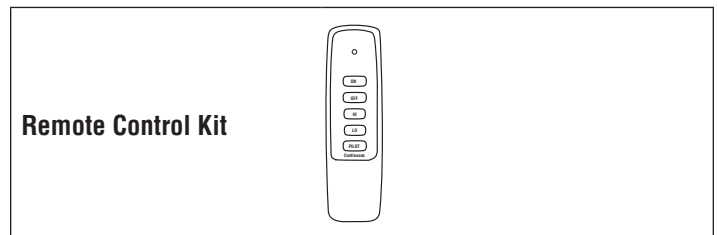
Cat. No.	Model#	Description
F3502	LPK 1	LP Conversion kit for 36-inch outdoor fireplace
F3503	LPK 2	LP Conversion kit for 48-inch outdoor fireplace
F3504	LPK 3	LP Conversion kit for 60-inch outdoor fireplace
F3505	LPK 4	LP Conversion kit for 72-inch outdoor fireplace
F3507	GLO-BLACK	Black Onyx Glass Media, 5lb
F3508	GLO-CRYSTAL	Diamond Crystal Glass Media, 5lb
F3509	GLO-LT BLUE	Sapphire Blue Glass Media, 5lb

## OPTIONAL ACCESSORIES



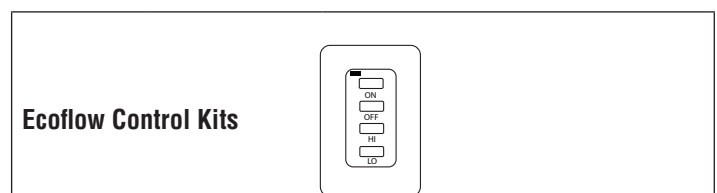
### Stainless Steel Outdoor Weather Shield Kit

Cat. No.	Model	Description
F3767	BLWS36	Weather Shield 36"
F3768	BLWS48	Weather Shield 48"
F3769	BLWS60	Weather Shield 60"
F3770	BLWS72	Weather Shield 72"



### Remote Control Kit

Cat. No.	Model#	Description
F2687	EF-BRCK	Remote Control, Manual ON/OFF operation, Off / Continuous pilot feature



### Ecoflow Control Kits

Cat. No.	Model#	Description
F2660	EF-WWRCK	Wireless Wall Switch, On/Off, High/Low

## NATURAL GAS TO PROPANE GAS CONVERSION

### WARNING

This conversion kit shall be installed by a qualified service agency in accordance with the manufacturer's instructions and all applicable codes and requirements of the authority having jurisdiction. If the information in these instructions is not followed exactly, a fire, explosion or production of carbon monoxide may result causing property damage, personal injury or loss of life. The qualified service agency is responsible for the proper installation of this kit. The installation is not proper and complete until the operation of the converted appliance is checked as specified in the manufacturer's instructions supplied with the kit. The qualified service agency performing this installation assumes responsibility for this conversion.

### AVERTISSEMENT

Cette trousse de conversion doit être installée par un technicien agréé, selon les instructions du fabricant et selon toutes les exigences et tous les codes pertinents de l'autorité compétente. Assurez-vous de bien suivre les instructions dans cette notice pour réduire au minimum le risque d'incendie, d'explosion ou la production de monoxyde de carbone pouvant causer des dommages matériels, des blessures ou la mort. Le technicien agréé est responsable de l'installation de cette trousse. L'installation n'est pas adéquate ni complète tant que le bon fonctionnement de l'appareil converti n'a pas été vérifié selon les instructions du fabricant fournies avec la trousse. Le fournisseur de service qualifié ayant réalisé l'installation assume les responsabilités liées à la conversion.

Gas conversion kits are available to adapt your appliance from the use of one type of gas to the use of another. These kits contain all the necessary components needed to complete the task including labeling that must be affixed to ensure safe operation.

Kit part numbers are listed here and the following steps detail the conversion procedure. Refer to the instructions provided with the conversion kit when performing any gas conversion.

### TOOLS / SUPPLIES NEEDED

Flat bladed screwdriver  
Needle nose pliers  
Pipe joint compound or teflon tape  
Gas leak test solution

### KIT CONTENTS

- (1) OAS-LP# (brass orifice) and
- (1) ECO-LSS# (brass low rate set screw),
- (1) LP Conversion Label (placed next to blank space on rating label),
- (1) Installation Instruction Sheet

**CAUTION: THE GAS SUPPLY SHALL BE SHUT OFF PRIOR TO DISCONNECTING THE ELECTRICAL POWER, BEFORE PROCEEDING WITH THE CONVERSION.**

**ATTENTION: AVANT D'EFFECTUER LA CONVERSION, COUPEZ D'ABORD L'ALIMENTATION EN GAZ, ENSUITE, COUPEZ L'ALIMENTATION ÉLECTRIQUE.**

**READ ALL THE STEPS BEFORE STARTING THE CONVERSION. INSTALLER NOTICE: THESE INSTRUCTIONS MUST BE LEFT WITH THE APPLIANCE.**

When installing gas components use pipe joint compound or Teflon tape on all pipe fittings before installing (Do not use pipe joint compounds on flare fittings).

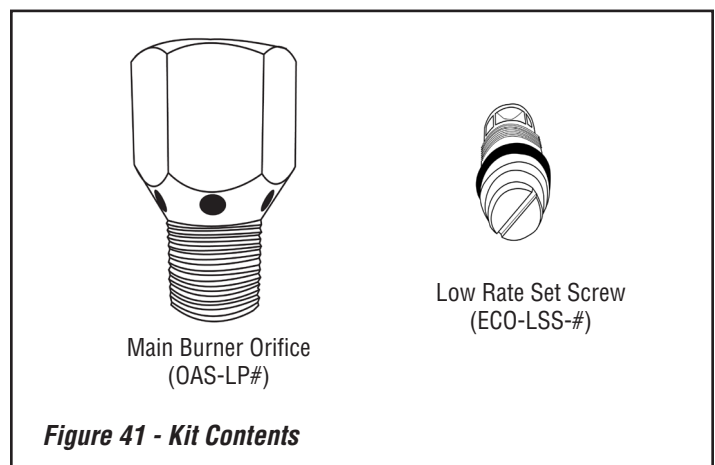
**THE APPLIANCE MUST BE OFF AND COLD BEFORE PERFORMING THE GAS CONVERSION.**

**ALL WARNINGS, PRECAUTIONS AND INSTRUCTIONS IN THE INSTALLATION AND OPERATION MANUAL PROVIDED WITH THE APPLIANCE APPLY TO THESE INSTRUCTIONS.**

In Canada:

**THE CONVERSION SHALL BE CARRIED OUT IN ACCORDANCE WITH THE REQUIREMENTS OF THE PROVINCIAL AUTHORITIES HAVING JURISDICTION AND IN ACCORDANCE WITH THE REQUIREMENTS OF THE CAN/CGA-B149.1 INSTALLATION CODE.**

**LA CONVERSION DEVRA ÊTRE EFFECTUÉE CONFORMÉMENT AUX RECOMMANDATIONS DES AUTORITÉS PROVINCIALES AYANT JURISDICTION ET CONFORMÉMENT AUX EXIGENCES DU CODE D'INSTALLATION CAN/CGA-B149.1.**



# NATURAL GAS TO PROPANE GAS CONVERSION

Continued

## GAS CONVERSION INSTRUCTIONS

**Step 1.** Turn OFF the gas supply to the outdoor fireplace and disconnect any electrical power.

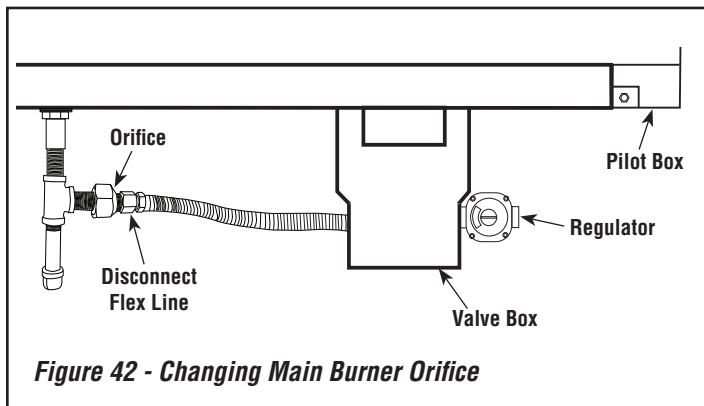
**Step 2.** Remove the burner pan from the fireplace to enable conversion access. See installation manual if necessary.

**Step 3.** Disconnect the flex line at the main burner orifice. Then remove the orifice and flared fitting from the orifice. Re-tape the flared fitting with the new OAS-LP orifice per **Table 9**. Ensure to use gas rated Teflon tape around the threads or pipe compound. Check for leaks after conversion is complete.

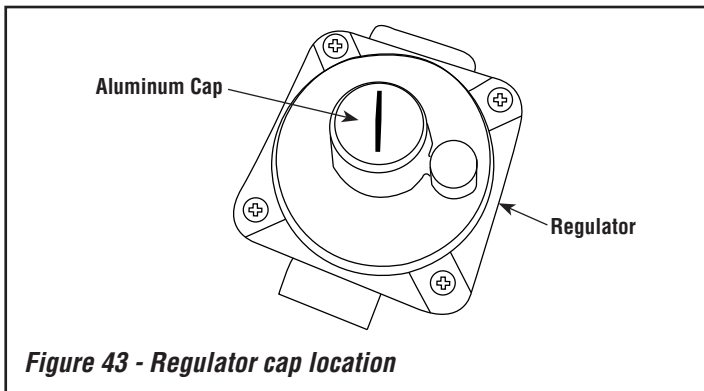
Model	Main Burner Orifice	Low Rate Set Screw
LPK1 (36" Fireplace)	OAS-LP52	ECO-LSS-52
LPK2 (48" Fireplace)	OAS-LP48	ECO-LSS-46
LPK3 (60" Fireplace)	OAS-LP44	ECO-LSS-42
LPK4 (72" Fireplace)	OAS-LP42	ECO-LSS-35

**Table 9 - Reference Information**

**Step 4.** Locate the gas regulator on the opposite side of the valve box. Using a regular size flat bladed screwdriver to remove the aluminum cap and washer from the regulator. See **Figure 42**.

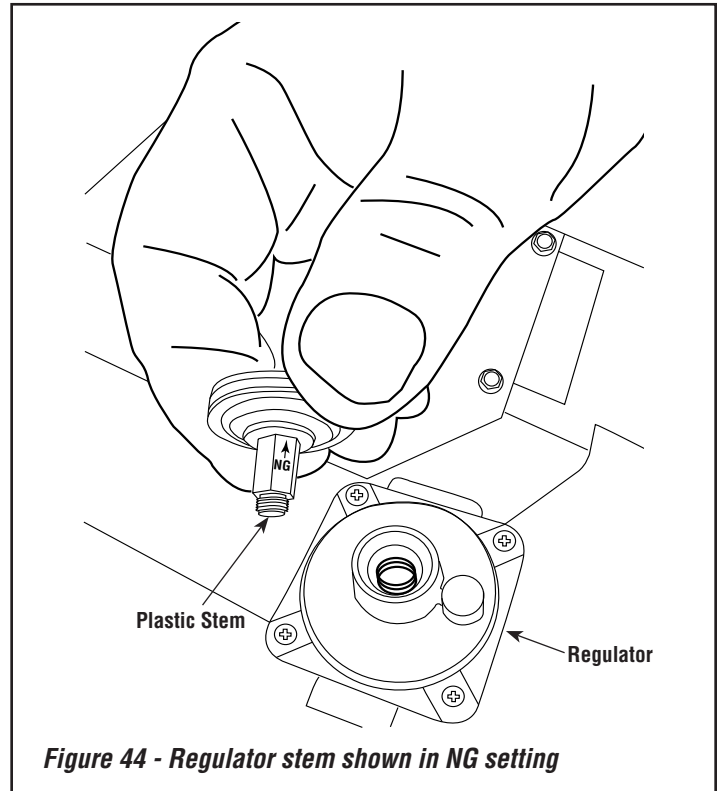


**Figure 42 - Changing Main Burner Orifice**



**Figure 43 - Regulator cap location**

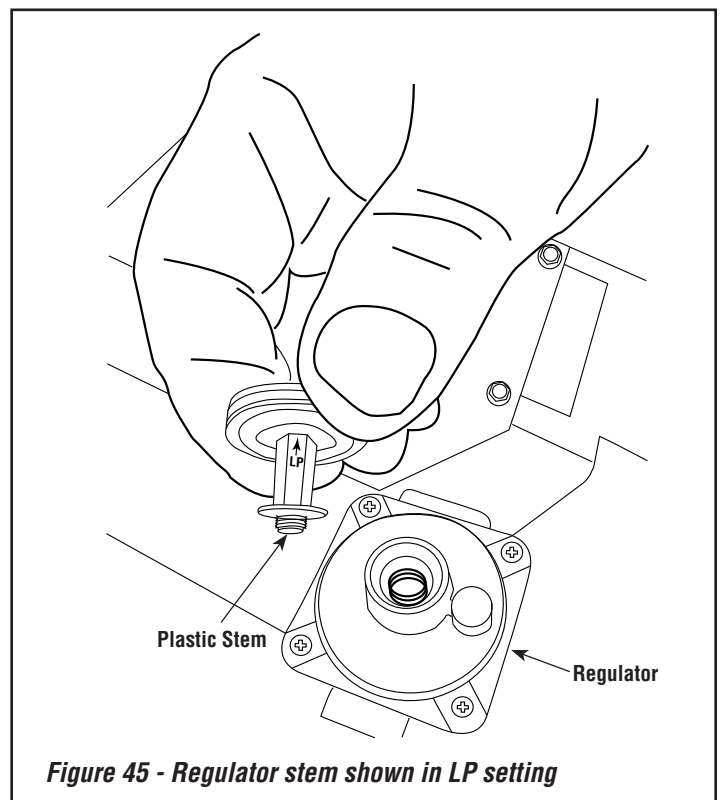
**Step 5.** On the underneath side of the aluminum cap is a plastic stem. Using a 6mm wrench remove the stem, unscrew the stem (counter-clockwise ↺), turn it over and install the opposite end back into the cap. See **Figure 44**.



**Figure 44 - Regulator stem shown in NG setting**

**NOTE:** The plastic stem has a marking on it with an arrow. Look carefully on the stem, it may be difficult to read.

The gas type is determined with the arrow pointing at the aluminum cap as seen in **Figures 44 and 45**.



**Figure 45 - Regulator stem shown in LP setting**

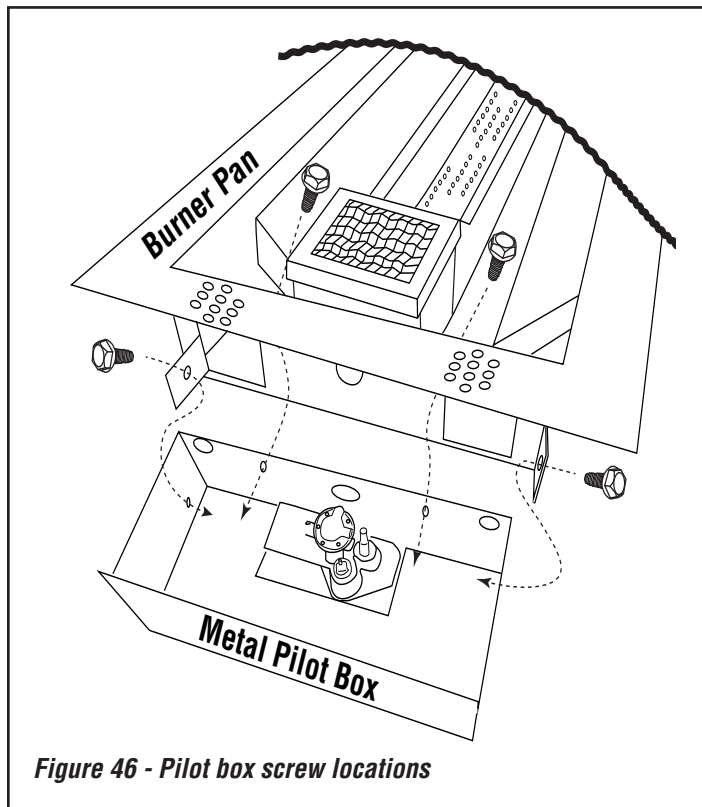
# NATURAL GAS TO PROPANE GAS CONVERSION

Continued

**CAUTION:** ENSURE THE ALUMINUM CAP IS INSTALLED WITH THE PLASTIC STEM SEATED COMPLETELY INTO THE CAP AND THE METAL WASHER IS INSTALLED WITH THE ALUMINUM CAP.

**Step 6.** Secure the aluminum cap with a screwdriver.

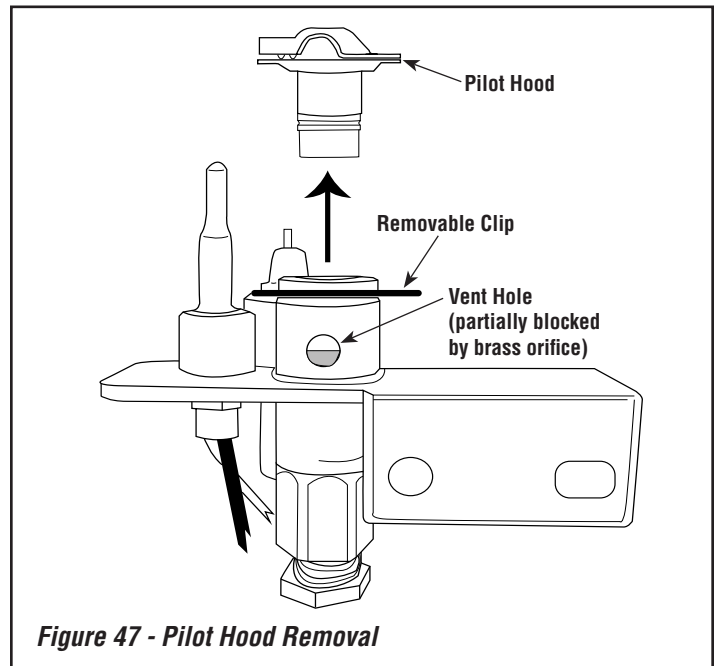
**Step 7.** On the end of the burner pan where the pilot is located (see **Figure 46**), remove the four (4) 1/4" hex head screws securing the metal pilot box. Two screws are located inside the burner pan, one on each side of the igniter box screen mesh hood and the other two are securing a metal tab on each side of the pilot box. See **Figure 46** for screw locations.



**Figure 46 - Pilot box screw locations**

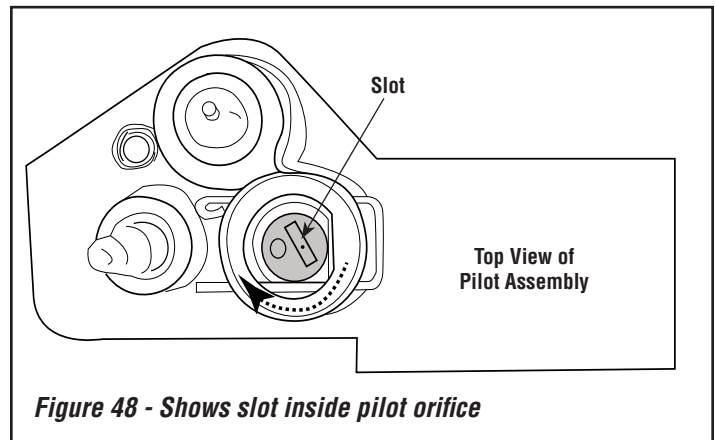
**Step 8.** Once the pilot box is loosen and exposes the pilot assembly then proceed to removing the pilot hood.

The pilot hood will lift straight up and out of the pilot assembly after removing the wire clip with a small screwdriver or needle-nose pliers. See **Figure 47**.



**Figure 47 - Pilot Hood Removal**

**Step 9.** Insert a small flat bladed screwdriver into the slot of the brass orifice inside the pilot assembly and turn clockwise until it stops (approximately 2 full revolutions). See **Figure 48**.



**Figure 48 - Shows slot inside pilot orifice**

Once the orifice has been converted to LP then re-install the pilot hood, ensure the clip is in place (if removed) and mount the metal pilot box back into place ins the same manner you removed it from the burner pan. See **Figure 46** as a reference.



# NATURAL GAS TO PROPANE GAS CONVERSION

Continued

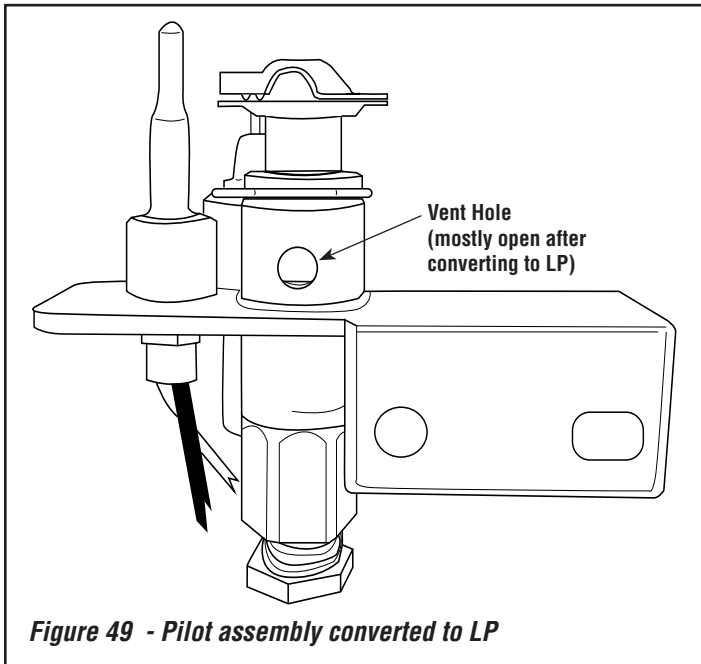


Figure 49 - Pilot assembly converted to LP

**NOTE:** Figures 48 and 49 provide a visual reference of the pilot orifice from Natural gas to LP gas through the vent hole of the pilot assembly.

**Step 10.** Look for the low rate set screw in the gas valve box. There is a cutout (window) area that allows access to the low rate set screw. **Figure 50** shows the side view of the burner pan and a close-up detail.

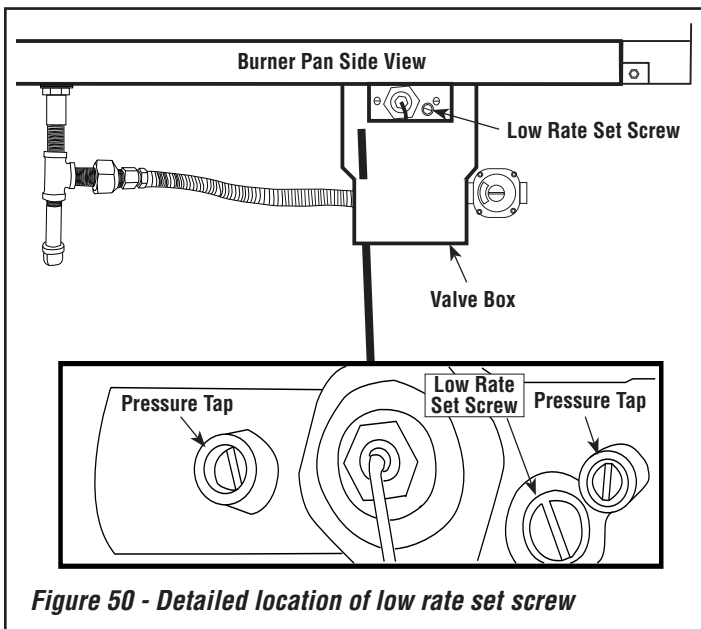

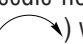


Figure 50 - Detailed location of low rate set screw

**Step 11.** Remove the low rate set screw with a flat bladed screwdriver turning the screw counter-clockwise . The set screw has a rubber “O” ring on the outer portion of the screw, as a result the screw will rotate only 3-4 revolutions and not unscrew any farther.

**NOTE:** If you drop the low rate screw inside the valve area you can retrieve it through the access door of the valve box.

**Step 12.** Remove the low rate set screw using a small pair of needle-nose pliers. Grab the outer edge of the screw and pull outward.

**Step 13.** Insert the correct new low rate screw from **Table 1** with the needle-nose pliers. Secure the new low rate set screw (clockwise ) with screwdriver until it is tight and now longer spins.

**CAUTION: DO NOT REMOVE OR LOOSEN THE SMALL SET SCREWS ON EACH SIDE OF THE V-WIRE. THESE ARE PRESSURE TEST PORTS. IF THESE ARE LOOSENED THEY MUST BE RE-TIGHTENED TO ENSURE NO GAS LEAKS OCCUR.**

**Step 14.** Ensure you test the burner pan after it is installed into the fireplace. Turn on gas supply and test for gas leaks, using a gas leak test solution—also known as bubble leak solution.

**NOTE:** Using a soapy water solution is an effective leak test solution but it is not recommended, because the soap residue that is left on the pipes/fittings can result in corrosion over time.

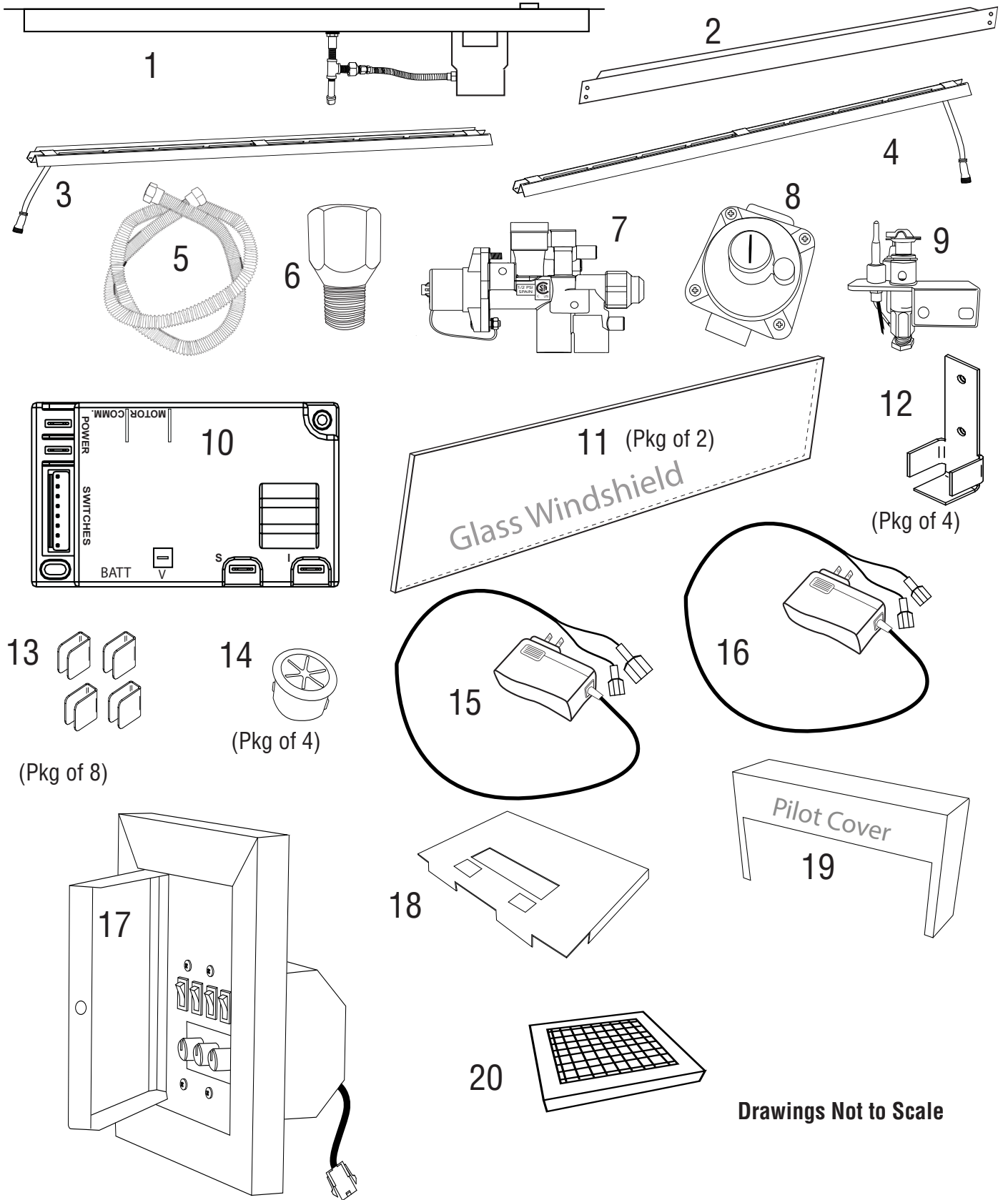
- Light the fireplace (refer to the lighting instructions label on the appliance).
- Brush all joints and connections with the gas leak test solution to check for leaks. If bubbles are formed, or gas odor is detected, turn off the appliance. Either tighten or refasten the leaking connection, and then retest as described above.
- When the gas lines are tested and leak free, rinse off the leak testing solution.

**Step 15.** Fill out the label “This fireplace has been converted to LP gas” and affix it to the blank area on the rating plate.

**Step 16.** Conversion is now complete.



# REPLACEMENT PARTS



Drawings Not to Scale

\* Not all replacement parts are depicted in the drawings above but all are listed on **Pages 37 and 38**

## REPLACEMENT PARTS

*Continued*

Item	Description	Part Number
1	36" Complete Stainless Steel Burner Pan Assembly	F3458
1	48" Complete Stainless Steel Burner Pan Assembly	F3459
1	60" Complete Stainless Steel Burner Pan Assembly	F3460
1	72" Complete Stainless Steel Burner Pan Assembly	F3461
2	Bottom Support Fin for 36" Model - 2 per unit ( <i>Figure 10, Page 13</i> )	F3462
2	Bottom Support Fin for 48" Model - 2 per unit ( <i>Figure 10, Page 13</i> )	F3463
2	Bottom Support Fin for 60" Model - 2 per unit ( <i>Figure 10, Page 13</i> )	F3464
2	Bottom Support Fin for 72" Model - 2 per unit ( <i>Figure 10, Page 13</i> )	F3465
3	LED Tray Assembly - Left 36" (includes (4) LED Glass Retainer Clips - item #12)	F3491
3	LED Tray Assembly - Left 48" (includes (4) LED Glass Retainer Clips - item #12)	F3492
3	LED Tray Assembly - Left 60" (includes (4) LED Glass Retainer Clips - item #12)	F3493
3	LED Tray Assembly - Left 72" (includes (4) LED Glass Retainer Clips - item #12)	F3494
4	LED Tray Assembly - Right 36" (includes (4) LED Glass Retainer Clips - item #12)	F3495
4	LED Tray Assembly - Right 48" (includes (4) LED Glass Retainer Clips - item #12)	F3496
4	LED Tray Assembly - Right 60" (includes (4) LED Glass Retainer Clips - item #12)	F3497
4	LED Tray Assembly - Right 72" (includes (4) LED Glass Retainer Clips - item #12)	F3498
5	1/2" Flex Gas Line (46-inch Length)	F3466
6	Air Shutter Orifice NG (for 36" Natural Gas Models)	F3467
6	Air Shutter Orifice NG (for 48" Natural Gas Models)	F3468
6	Air Shutter Orifice NG (for 60" Natural Gas Models)	F3469
6	Air Shutter Orifice NG (for 72" Natural Gas Models)	F3470
7	EcoFlow Gas Valve with Step Motor with ECO-LSS-44 for 36" Model	F3515
7	EcoFlow Gas Valve with Step Motor with ECO-LSS-34 for 48" Model	F3516
7	EcoFlow Gas Valve with Step Motor with ECO-LSS-27 for 60" Model	F3517
7	EcoFlow Gas Valve with Step Motor with ECO-LSS-44 for 72" Model	F3471
8	Natural Gas Regulator, REG-C80K-NG (convertible to LP). <i>See Page 33</i>	F3510
9	Side Mount Pilot Assembly (complete assembly with TC), ECO-VK-Pilot	J7935
10	Ignition Control Module ( includes 8-pin wire harness), ECO-VK-ECOMOD-WWH	F2694
11	Tempered Glass Windshield for 36" model (1/4" x 8" x 35-1/2") (Pkg of 2)	F3474
11	Tempered Glass Windshield for 48" model (1/4" x 8" x 47-1/2") (Pkg of 2)	F3475
11	Tempered Glass Windshield for 60" model (1/4" x 8" x 59-1/2") (Pkg of 2)	F3476
11	Tempered Glass Windshield for 72" model (1/4" x 8" x 71-1/2") (Pkg of 2)	F3477
12	LED Glass Retainer Clip (2 used per fireplace side) (Pkg of 4 clips only)	F3478
13	Windshield Clips (4 used per single-sided fireplace side) (Pkg of 8)	F3479
14	5/8" Wire Grommet for LED Lighting (Pkg of 4)	F3480
15	12-volt adaptor for LED Lighting (Has male & female terminals)	F3481
16	7.5-volt adaptor for IPI Ecoflow Valve System (Has two female terminals)	F3482
17	RGB Control Box/Lid Assembly (Fireplace switches and LED dimmer)	F3483
18	Bottom End (Used to center burner pan into fireplace)	F3484
19	Pilot Cover (Sits inside bottom end, item #18)	F3518
20	Ignition Hood with Screen	F3485

**NOTE:** All items are shipped as one replacement part unless noted in the description.

## REPLACEMENT PARTS

Continued

Item	Description	Part Number
21	LED 24-inch Wire Harness; Connects to LED lights (not depicted) <i>Figure 28, Page 21</i>	F3499
24	Manual Shut-off 1/2" OD Fare x 1/2" FIP (not depicted)	F3486
25	36" Fireplace Hood - not depicted ( <i>see Figure 37, Page 26</i> )	F3487
26	48" Fireplace Hood - not depicted ( <i>see Figure 37, Page 26</i> )	F3488
27	60" Fireplace Hood - not depicted ( <i>see Figure 37, Page 26</i> )	F3489
28	72" Fireplace Hood - not depicted ( <i>see Figure 37, Page 26</i> )	F3490
29	Cross Ventilation Kit, VENT-KIT-6x12	F3535
30	Remote Wire Harness, AF4000ADP48EXT	F2690

**NOTE:** All items are shipped as one replacement part unless noted in the description.

### WARNING

Failure to position the parts in accordance with these diagrams or failure to use only parts specifically approved with this appliance may result in property damage or personal injury.

### AVERTISSEMENT

Risque de dommages ou de blessures si les pièces ne sont pas installées conformément à ces schémas et ou si des pièces autres que celles spécifiquement approuvées avec cet appareil sont utilisées.

### WARNING

Never use substitute materials. Use of non-approved parts can result in poor performance and safety hazards.

# Innovative Hearth Products IHP Gas Fireplaces 20 Year Limited Warranty

## THE WARRANTY

Innovative Hearth Products ("IHP") 20 Year Limited Warranty warrants your IHP gas fireplace, Stove or Insert ("Product") to be free from defects in materials and workmanship at the time of manufacture. The product body, firebox and barrier carry the 20 Year Limited Warranty. Ceramic glass carries the 20 Year Limited Warranty against thermal breakage only. After installation, if covered components manufactured by IHP are found to be defective in materials or workmanship during the 20 Year Limited Warranty period and while the Product remains at the site of the original installation, IHP will, at its option, repair or replace the covered components. If repair or replacement is not commercially practical, IHP will, at its option, refund the purchase price or wholesale price of the IHP product, whichever is applicable. IHP will also pay IHP prevailing labor rates, as determined in its sole discretion, incurred in repairing or replacing such components for up to five years. THERE ARE EXCLUSIONS AND LIMITATIONS to this 20 Year Limited Warranty as described herein.

## COVERAGE COMMENCEMENT DATE

Warranty coverage begins on the date of purchase. In the case of new home construction, warranty coverage begins on the date of first occupancy of the dwelling or six months after the sale of the Product by an independent IHP dealer/distributor, whichever occurs earlier. The warranty shall commence no later than 24 months following the date of product shipment from IHP, regardless of the installation or occupancy date.

## EXCLUSIONS AND LIMITATIONS

This 20 Year Limited Warranty applies only if the Product is installed in the United States or Canada and only if operated and maintained in accordance with the printed instructions accompanying the Product and in compliance with all applicable installation and building codes and good trade practices.

This warranty is non-transferable and extends to the original owner only. The Product must be purchased through a listed supplier of IHP and proof of purchase must be provided. The product body, firebox and barrier carry the 20 Year Limited Warranty from the date of installation. Vent components, trim components and paint are excluded from this 20 Year Limited Warranty. The following do not carry the 20 Year Limited Warranty but are warranted as follows:

- Burner** – Repair or replacement for one year from the date of installation
- Gas components** – Repair or replacement for one year from the date of installation
- Gaskets** – Repair or replacement for one year from the date of installation
- Logs** – Replacement for one year from the date of installation against thermal breakage only
- Optional blowers & remote controls** – Repair or replacement for one year from the date of installation
- Optional glass doors** – Repair or replacement for 90 days from the date of installation
- Tempered glass** - Replacement for one year from the date of installation
- Labor coverage** – Prevailing IHP labor rates apply for the warranty period of the component

**Parts not otherwise listed carry a 90 day warranty from the date of installation.**

**Whenever practicable, IHP will provide replacement parts, if available, for a period of 10 years from the last date of manufacture of the Product.**

IHP will not be responsible for: (a) damages caused by normal wear and tear, accident, riot, fire, flood or acts of God; (b) damages caused by abuse, negligence, misuse, or unauthorized alteration or repair of the Product affecting its stability or performance (The Product must be subjected to normal use. The Product is designed to burn either natural or propane gas only. Burning conventional fuels such as wood, coal or any other solid fuel will cause damage to the Product, will produce excessive temperatures and could result in a fire hazard.); (c) damages caused by failing to provide proper maintenance and service in accordance with the instructions provided with the Product; (d) damages, repairs or inefficiency resulting from faulty installation or application of the Product.

IHP is not responsible for inadequate fireplace system draft caused by air conditioning and heating systems, mechanical ventilation systems, or general construction conditions which may generate negative pressure in the room in which the appliance is installed. Additionally IHP assumes no responsibility for drafting conditions caused by venting configurations, adjoining trees or buildings, adverse wind conditions or unusual environmental factors and conditions that affect the operation of the unit.

This 20 Year Limited Warranty covers only parts and labor as provided herein. In no case shall IHP be responsible for materials, components or construction, which are not manufactured or supplied by IHP or for the labor necessary to install, repair or remove such materials, components or construction. Additional utility bills incurred due to any malfunction or defect in equipment are not covered by this warranty. All replacement or repair components will be shipped F.O.B. from the nearest stocking IHP factory.

## LIMITATION ON LIABILITY

It is expressly agreed and understood that IHP's sole obligation and the purchaser's exclusive remedy under this warranty, under any other warranty, expressed or implied, or in contract, tort or otherwise, shall be limited to replacement, repair, or refund, as specified herein.

In no event shall IHP be liable for any incidental or consequential damages caused by defects in the Product, whether such damage occurs or is discovered before or after repair or replacement, and whether such damage is caused by IHP's negligence. IHP has not made and does not make any representation or warranty of fitness for a particular use or purpose, and there is no implied condition of fitness for a particular use or purpose.

IHP makes no expressed warranties except as stated in this 20 Year Limited Warranty. The duration of any implied warranty is limited to the duration of this expressed warranty.

No one is authorized to change this 20 Year Limited Warranty or to create for IHP any other obligation or liability in connection with the Product. Some states and provinces do not allow the exclusion or limitation of incidental or consequential damages, so the above limitations or exclusions may not apply to you. The provisions of this 20 Year Limited Warranty are in addition to and not a modification of or subtraction from any statutory warranties and other rights and remedies provided by law.

## INVESTIGATION OF CLAIMS AGAINST WARRANTY

IHP reserves the right to investigate any and all claims against this 20 Year Limited Warranty and to decide, in its sole discretion, upon the method of settlement.

To receive the benefits and advantages described in this 20 Year Limited Warranty, the appliance must be installed and repaired by a licensed contractor approved by IHP.

Contact IHP at the address provided herein to obtain a listing of approved dealers/distributors. **IHP shall in no event be responsible for any warranty work done by a contractor that is not approved without first obtaining IHP's prior written consent.**

## HOW TO REGISTER A CLAIM AGAINST WARRANTY

In order for any claim under this warranty to be valid, you must contact the IHP dealer/distributor from which you purchased the product. If you cannot locate the dealer/distributor, then you must notify IHP in writing. IHP must be notified of the claimed defect in writing within 90 days of the date of failure. Notices should be directed to the IHP Warranty Department at 1769 East Lawrence Street; Russellville, AL 35654 or visit our website at [WWW.IHP.US.COM](http://WWW.IHP.US.COM).

Record the following important information about your fireplace:

Fireplace model number	
Fireplace serial number	
Date fireplace was Installed	
Type of gas fireplace uses	
Dealer name	

---

IHP reserves the right to make changes at any time, without notice, in design, materials, specifications, prices and also to discontinue colors, styles and products. Consult your local distributor for fireplace code information.

